

R.S.01

RENAULT SPORT R.S.01



Spare Parts Book

Reference: 8201598094

Date: 03/07/2015



RENAULT SPORT



WARRANTY

- Competition do not carry any specific contractual warranty
- Moreover, we would like to point out that the fitting of RenaultSport competition parts to RENAULT cars may render them illegal for use on public highways.
- RENAULT SPORT parts intended for competition use could modify the standard specification of road vehicles, as specified by the component authorities governing the technical roadworthiness of vehicles ("mines"). This applies to factors such as noise, pollution, tyre sizes, performance, etc.

Notes

- Competition parts cannot be returned or exchanged.
- Pricing of parts distributed by RENAULT SPORT is reviewed periodically. Please refer to the date of the part prices catalogue.

PARTS ALPHABATIC INDEX

| Description | Boards | Description | Boards | Description | Boards |
|-------------------------------------|--------|------------------------------------|--------|--------------------------------------|--------|
| 2 2 en 1 Naca de toit | 13.50 | Bague épaulée renvoi de M-AR | 21.10 | Brake disc | 31.40 |
| A Accelerator pedal | 37.00 | Bague et roulement équipé | 21.70 | | 33.40 |
| Ackerman AV | 31.10 | Bague fix roulement | 31.40 | Brake pedal | 37.01 |
| | 31.40 | Bague intérieure NJ1010 | 21.30 | bride de fixation soufflet | 29.00 |
| Adaptator | 19.30 | Bague intérieure NU1010 double | 21.40 | Bride mobile Air-Jack AR | 39.00 |
| | 19.35 | Bague intérieure roulement NU 1009 | 21.30 | Bump stop | 29.00 |
| | 39.00 | bague porte-roulement | 33.40 | Bush | 32.10 |
| aile arriere carbone | 41.50 | Ball bearing 16002 | 21.50 | | 40.00 |
| ailette avd bouclier avant | 40.50 | Ball bearing 6002 | 21.11 | Butée à rouleaux axiale | 21.60 |
| ailette avg bouclier avant | 40.50 | Ball bearing 61807 | 21.20 | butee fin de course pedale accel | 37.00 |
| Aimant céramique | 21.12 | Ball bearing 61808 | 21.10 | C cable acquisition data | 17.00 |
| Air breather adapter M10x100 | 21.12 | Ball bearing 61809 | 21.10 | cable de frein | 37.01 |
| Air breather valve | 19.30 | Ball bearing 61819 | 21.10 | Cage à aiguilles 25x30x20 | 21.10 |
| Air filter | 13.50 | Banjo bolt | 19.00 | Cage à aiguilles 52x57x12 | 21.60 |
| Air-Jack AR | 39.00 | Banjo bolt 775-06d | 39.00 | Cage à aiguilles 55x60x20 | 21.40 |
| Air-Jack AV | 39.00 | barre anti-roulis arriere | 34.00 | Cage à aiguilles 55x63x15 | 21.40 |
| Anneau BS8 | 21.11 | Barreau de colonne | 36.00 | Cage à aiguilles 58x63x17 | 21.60 |
| anneau de remorquage | 55.00 | Barreau de colonne Lg:115mm | 36.00 | cale amortisseur accelerateur | 37.00 |
| anneau expansif | 21.20 | Barreau de colonne Lg:70mm | 36.00 | Cale AVD de carrossage | 31.40 |
| anneau expansif sb21 | 29.00 | Barreau de colonne Lg:85mm | 36.00 | Cale AVG de carrossage | 31.40 |
| anneau expansif sb35 | 29.00 | barre de poussee suspension ar. | 33.10 | Cale carrossage AR | 33.40 |
| Anti-Roll Bar-Front | 32.10 | Barrel | 21.50 | cale de roulement | 21.20 |
| Arbre Air-Jack AR | 39.00 | basculeur assemble | 32.00 | Cannule aspiration | 21.12 |
| Arbre Air-Jack AV | 39.00 | @Battery b3121 | 80.00 | Cannule de secondaire | 21.11 |
| arbre de roue | 29.00 | Bearing | 32.00 | Cap | 19.00 |
| arbre de transmission equipe | 29.00 | | 34.00 | Cap head screw M6x14 cl 10.9 brut HK | 21.50 |
| Arbre prise de force | 21.20 | Bearing 618062rs | 21.20 | Cap M14x150 | 21.11 |
| arceau de securite | 40.10 | Bearing abwt-12 | 33.10 | capot avant | 40.50 |
| Arrêtoir roulement 61807 | 21.11 | Bearing NU1009 spécifique | 21.12 | Capot ligne pignon conique | 21.70 |
| ARRET RESSORT | 37.00 | Bearing NU1010 | 21.10 | capteur accelometre yaw | 17.00 |
| ATTACHE SUPPORT BATTERIE | 80.00 | Bevel gear 13/27 équipé | 21.60 | Capteur barillet | 21.12 |
| AXE BASCULEUR | 32.00 | | 21.70 | capteur debatement cable | 32.00 |
| | 34.00 | BHS Bolt m4-10 cl.10/9 | 83.00 | | 36.10 |
| | 40.00 | BHS Bolt M5-16 | 19.35 | Capteur pédale accélérateur | 37.00 |
| axe commande pedale accelerateur | 37.00 | | 80.00 | capteur pression frein arriere | 37.01 |
| Axe de renvoi de M-AR | 21.10 | BHS Bolt M6-10 | 10.80 | capteur pression frein avant | 37.01 |
| axe inferieur pedale de frein | 37.01 | | 36.10 | Capteur Tair | 13.55 |
| Axe renvoi de commande équipé | 21.50 | BIELLETTTE CAPTEUR ACCEL | 37.00 | Capteur température frein | 31.40 |
| Axe repartition freinage | 37.01 | bielle de barre anti-roulis | 34.00 | Capteur vitesse roue | 31.40 |
| B bache a huile | 22.00 | bobine arriere levage | 41.50 | | 33.40 |
| Bague arrêt rouleaux NU1009 | 21.10 | @Bocal frein | 37.01 | Carter arrière équipé | 21.12 |
| | 21.30 | BOITE A AIR | 42.10 | Cartesr principal et intermédiaire | 21.10 |
| Bague bronze | 37.00 | boite vitesse src96-18 | 21.00 | cellule centrale | 40.50 |
| bague bronze pedale de frein | 37.01 | Boîtier de différentiel | 21.60 | Cellule chronomètre | 17.00 |
| BAGUE COLONNE DIRECTION | 36.00 | Boitier filtre air D | 13.50 | Centreur plaque renfort rocker AV | 33.10 |
| Bague de roulement d'arbre primaire | 21.11 | Boitier filtre air G | 13.50 | Chape réglage pedale de frein | 37.01 |
| NU1007 | | bol de disque arriere | 33.40 | chape sup triangle ar | 33.10 |
| Bague de roulement NU1010 ECP | 21.11 | Bol de disque AV | 31.40 | Chape tirant / PM | 33.10 |
| | 21.12 | Bouchon crépine | 21.12 | | 33.40 |
| Bague épaulée de M-AR | 21.40 | bouclier arriere | 40.50 | Chappe M6 longue | 42.10 |
| Bague épaulée double | 21.40 | boulon arceau sur bache a huile | 40.10 | chassis | 40.00 |
| Bague épaulée pédale frein | 37.01 | boulon arriere arceau securite | 40.10 | Chemise de pompe équipée | 21.11 |

PARTS ALPHABATIC INDEX

| Description | Boards | Description | Boards | Description | Boards |
|------------------------------------|--------|-----------------------------------|--------|-------------------------------------|--------|
| CHS Bolt 10x32 unf.3/8 cl.12/9 | 31.40 | circlip iv 21* | 34.00 | | 39.00 |
| | 33.40 | Circlip JV38 | 19.30 | Copper washer Ø16 | 21.11 |
| CHS Bolt 5/16-24 cl:12.9 | 36.10 | Circlips | 31.10 | coque de retro droit | 56.20 |
| CHS Bolt M10-30 cl.12.9 | 40.10 | | 33.10 | coque de retro gauche | 56.20 |
| CHS Bolt M10x16 cl 8.8 bichro | 21.11 | | 37.00 | Coquille guidage crépine | 21.12 |
| CHS Bolt M10x25 cl 12.9 brut | 21.70 | | 21.10 | Corps Air-Jack AR | 39.00 |
| CHS Bolt m12x50 cl.12/9 | 40.10 | Circlips couverce de différentiel | 21.60 | corps air-jack avant | 39.00 |
| CHS Bolt M16x16 cl 12 | 21.50 | Circlips-Exterior ø15 | 21.50 | corps amortisseur accelerateur | 37.00 |
| CHS Bolt M3-20 cl:8.8 | 34.00 | | 21.20 | Corps blocage ecrou roue | 31.40 |
| CHS Bolt M4-12 cl:12.9 ZN | 21.12 | Circlips-Interior Ø32 | 21.11 | | 33.40 |
| CHS Bolt M4-25 cl:8.8 | 37.00 | Clamp Ø25-40 | 13.55 | Coude sortie turbo D | 19.50 |
| CHS Bolt M4 lg=10 | 31.40 | Clamp Ø40-60 | 13.55 | Coude sortie turbo G | 19.50 |
| | 33.40 | Clamp Ø60-80 | 13.50 | COULISSE FEMELLE COLONNE | 36.00 |
| CHS Bolt M5-12 | 21.50 | | 13.55 | DIRECT. | |
| CHS Bolt M5-15 | 37.00 | Clamp Ø80-100 | 13.50 | COULISSE MALE COLONNE | 36.00 |
| | 37.01 | | 13.55 | DIRECTION | |
| CHS Bolt M5-16 cl:10.9 ZN | 21.20 | clapet anti-retour | 19.35 | Coupelle superieure Air-Jack | 39.00 |
| CHS Bolt M5-20 | 19.35 | Clip cobra 10 | 19.30 | Coupelle support Air-Jack AR | 39.00 |
| CHS Bolt M5-50 cl:8.8 | 37.00 | clip cobra 11/7 | 19.30 | Couple cylindrique 20/33 | 21.40 |
| CHS Bolt m5x40 cl.8/8 uni5931 | 32.00 | Clip SB120 | 21.10 | | 21.70 |
| CHS Bolt M6 | 13.55 | Clutch shaft | 21.20 | Coupleur prélèvement essence | 19.35 |
| | 80.00 | Collier fix echappement Ø50-70 | 19.35 | Coussinet axe de selecteur | 21.50 |
| CHS Bolt M6-12 cl:12.9 Zn | 21.10 | collier rsgu 1.35/15 | 19.00 | Couvercle Air-Jack AR | 39.00 |
| | 21.50 | Collier Ty-Rap | 37.80 | Couvercle Air-Jack AV | 39.00 |
| CHS Bolt M6-12 cl:8.8 | 19.30 | colonne de direction inf. | 36.00 | Couvercle Cloison AR | 40.00 |
| | 37.01 | colonne superieur cablee | 36.00 | Couvercle de différentiel | 21.60 |
| CHS Bolt M6-16 | 19.35 | Compression spring 1 | 21.60 | Couvercle de pompe équipé | 21.11 |
| | 31.40 | Compression spring 2 | 21.60 | crashbox arriere | 41.50 |
| | 39.00 | Compression spring 2x20 | 21.50 | crash-box avant | 41.00 |
| | 40.10 | Conduit air frein ARD | 33.80 | Crémaillère de direction | 36.10 |
| | 42.10 | Conduit air frein ARG | 33.80 | crochet | 40.55 |
| CHS Bolt M6-20 cl:8.8 | 33.80 | Conduit air frein AVD | 31.80 | crochet de remorquage arriere | 41.50 |
| CHS Bolt M6-30 cl:12.9 | 37.01 | | 40.60 | croissant seeger h30 | 29.00 |
| | 41.00 | Conduit air frein AVG | 31.80 | Croix de satellites | 21.60 |
| CHS Bolt M6x12 cl.10 | 21.12 | | 40.60 | D dashboard omega icd pro | 83.00 |
| CHS Bolt M6x12 cl 8.8 brut | 21.11 | Conduit D sortie filtre à air | 13.50 | deflecteur aileron arriere | 41.50 |
| CHS Bolt m6x16 | 19.35 | Conduit G sortie filtre à air | 13.50 | deflecteur plancher laterale g. | 42.10 |
| CHS Bolt M6x18 cl:12.9 zingué | 21.11 | conduit radiateur droit | 41.00 | Dérive spliter ext D | 42.00 |
| CHS Bolt m6x20 cl.8/8 zn | 29.00 | conduit radiateur eau | 40.70 | Dérive spliter ext G | 42.00 |
| CHS Bolt M6x20 cl 12.9 ZN HK | 21.70 | conduit radiateur gauche | 41.00 | Derive spliter int D | 42.00 |
| CHS Bolt m6x50 cl.12/9 | 41.50 | conduit radiateur huile | 40.70 | Derive spliter int G | 42.00 |
| CHS Bolt M8-30 | 37.01 | Conical washer Ø 5.2 | 50.00 | diffuseur gauche plancher ar. | 42.20 |
| | 41.50 | Contre rondelle planétaire | 21.60 | Disque lisse ép. 1 | 21.60 |
| | 42.00 | Convergent écope frein ARD | 33.80 | Disque lisse retenue cassette ép. 2 | 21.60 |
| CHS Bolt M8-50 cl:12.9 | 32.10 | Convergent écope frein ARG | 33.80 | DOIGT INDEXEUR | 36.00 |
| | 41.50 | Convergent écope frein AVD | 31.80 | Doigt sécurité écrou de roue | 31.40 |
| CHS Bolt M8-55 | 36.00 | Convergent écope frein AVG | 31.80 | | 33.40 |
| | 39.00 | Copper washer | 37.01 | Door LH | 40.50 |
| CHS Bolt m8x25 cl.8/8 | 41.50 | | 37.80 | Double ratchet | 21.50 |
| CHS Bolt M8x25 cl 10.9 zingué noir | 21.11 | Copper Washer | 37.01 | Douille à aiguilles HK 15/12 | 21.11 |
| Cible vitesse roue AR | 33.40 | Copper Washer 16 | 21.11 | Dowel pin | 21.11 |
| Circlip | 36.00 | Copper washer Ø14x20 ép:1mm | 19.30 | Dual rocker spring | 21.50 |

PARTS ALPHABATIC INDEX

| Description | Boards | Description | Boards | Description | Boards |
|---------------------------------------|--------|-------------------------------------|--------|-------------------------------------|--------|
| durite 90° entree echangeur | 13.55 | entretoise bronze | 36.00 | Fitting dash08 M16x150 | 21.11 |
| durite 90° sortie boitier filtre | 13.50 | entretoise colonne direction | 36.00 | fixation biellette | 33.10 |
| durite de reduction 90° | 19.00 | Entretoise de capteur | 32.00 | fixation capteur pression | 19.00 |
| Durite huile moteur/Radia | 10.80 | entretoise inf.amortisseur | 32.00 | Flange | 29.00 |
| Durite huile Radia/reservoir | 10.80 | | 34.00 | Flasque de fermeture prise de force | 21.20 |
| durite inf.bocal maitre-cylindre | 37.01 | Entretoise inférieur Goujon support | 40.00 | flexible a eau | 19.00 |
| durite silicone 90° | 19.00 | amortisseur AV (Øint 5/16° ext 1/2) | | Flexible AV ABS | 37.80 |
| Durite silicone coude 45° | 19.00 | entretoise pare-brise | 54.00 | Flexible de frein ARD | 37.80 |
| Durite silicone Ø28 Lg:75mm | 13.55 | Entretoise pédale accélérateur | 37.00 | Flexible de frein AVD | 37.80 |
| durite silicone Ø48 Lg:75mm | 13.55 | Entretoise porte moyeu | 31.40 | Flexible de frein sortie coque | 37.80 |
| Durite silicone Ø60x69mm | 13.50 | | 33.40 | Flexible frein MC / Bloc ABS | 37.80 |
| Durite silicone Ø70 Lg:75mm | 13.55 | Entretoise Rotule triangle AR | 33.10 | fond plat central partie arriere | 42.10 |
| Durite silicone Ø83x92mm | 13.50 | entretoise soubassement | 40.00 | fond plat central partie avant | 42.10 |
| | 13.55 | entretoise sup.amortisseur | 32.00 | Fork | 21.50 |
| E Echangeur air D | 13.55 | | 34.00 | Fork rod | 21.50 |
| Echangeur air G | 13.55 | entretoise sup.fix.sup.moteur | 40.01 | Fourreau arbre secondaire | 21.40 |
| Ecope de frein AVD | 31.80 | Entretoise supérieur Goujon support | 40.00 | Fourreau d'axe de commande | 21.50 |
| | 33.80 | amortisseur AV (Øint 5/16°) | | Fourreau pignon conique | 21.70 |
| Ecope de frein AVG | 31.80 | entretoise support moteur sup. | 22.00 | Friction disc | 21.60 |
| | 33.80 | entretoise tirant de plancher | 22.00 | Front bumper | 40.50 |
| Ecrou anti desserrage | 21.30 | Entretoise triangle AV inf | 31.10 | Front damper | 32.00 |
| | 21.40 | equerre de fix.plancher arriere | 42.20 | Fuel cell | 19.35 |
| Ecrou à riveter M5 | 31.80 | equerre de fix.plancher lateral | 42.00 | Fuel filler cap | 21.11 |
| | 33.80 | | 42.10 | | 21.12 |
| Ecrou à riveter M6 | 41.00 | equerre g. de capot avant | 40.70 | Fuel filling pipe | 19.35 |
| | 42.00 | equerre rocker arriere | 34.00 | Fuel filter | 19.30 |
| ECROU BASCULEUR | 32.00 | equerre sup. de pare-choc ar. | 40.50 | Fuel pressure regulator | 19.30 |
| | 34.00 | Etrier AVD | 31.40 | G Gaitor | 29.00 |
| Ecrou D de roulement | 31.40 | Exhaust collar | 19.50 | Gear ratio 3ème 19/31 | 21.30 |
| | 33.40 | Exhaust retaining spring | 19.50 | | 21.40 |
| Ecrou de précharge | 21.60 | extension fond plat avant | 42.10 | Gear ratio 4ème 19/26 | 21.30 |
| Ecrou de roue D | 31.40 | extension fond plat central ar. | 42.10 | | 21.40 |
| | 33.40 | | 42.20 | Gear ratio 5ème 22/26 | 21.30 |
| Ecrou de roue G | 31.40 | extension gauche plancher ar. | 42.20 | | 21.40 |
| | 33.40 | Extinguisher collar | 19.00 | Gear ratio 6ème 25/26 | 21.30 |
| Ecrou de serrage M57x150 pas à gauche | 21.70 | EXTRACTEUR PONTON DROIT | 54.00 | | 21.40 |
| Ecrou G de roulement | 31.40 | F FHS Bolt M4x10 cl 10.9 brut | 21.60 | Gear ratio 7ème 29/27 | 21.30 |
| | 33.40 | FHS Bolt M5-10 | 80.00 | | 21.40 |
| ECU | 17.00 | FHS Bolt M5-10 cl:10.9 | 37.00 | Gicleur perçage Ø 0.7 | 21.11 |
| Embout biellette | 37.00 | FHS Bolt M5-14 cl:10.9 | 42.00 | Gicleur perçage Ø 1.0 | 21.11 |
| Embout de poussant | 31.10 | | 42.20 | Goujon B.A.R AV | 32.10 |
| | 33.10 | FHS Bolt m5x10 cl.10/9 zn | 29.00 | Goujon couronne pont | 21.60 |
| EMBOUT ROTULE | 32.10 | FHS Bolt M6-14 cl:10.9 | 42.20 | goujon epaulÉ d10 / m8 | 33.10 |
| Engine cover | 40.50 | FHS Bolt M6-18 cl 10.9 | 42.20 | Goujon fix. actuateur | 21.11 |
| Ensemble de cales Ø64X49 | 21.11 | FHS Bolt M6-20 | 41.50 | goujon fix.sup.support moteur | 40.01 |
| ensemble porte-soufflet+flasque | 29.00 | | 42.00 | Goujon moteur supérieur D int. | 40.01 |
| entree air radiateur eau | 40.70 | | 42.10 | Goujon palier basculeur AV | 40.00 |
| entree air radiateur huile | 40.70 | | 42.20 | Goulotte remplissage essence | 19.35 |
| entretoise aile arriere | 41.50 | Filling cap seal | 21.11 | Grommet | 19.30 |
| entretoise air jacks | 22.00 | | 21.12 | | 19.35 |
| entretoise barre anti-roulis ar | 22.00 | Filtre pompe BP | 19.30 | GUIDE FILTRE | 19.30 |
| | 34.00 | Fitting 3 voies | 39.00 | Guide indexeur | 21.50 |

PARTS ALPHABATIC INDEX

| Description | Boards | Description | Boards | Description | Boards |
|---|--------|------------------------------|--------|-------------------------------|--------|
| Guide ressort de précharge | 21.60 | Left threaded rod end | 34.00 | Nut (LH thread) | 34.00 |
| H H Bolt | 31.10 | | 36.10 | | 36.10 |
| | 32.10 | LH Front brake caliper | 31.40 | Nut an316-7 | 31.10 |
| | 33.10 | LH Rear brake caliper | 33.40 | nut H M6 | 37.00 |
| | 34.00 | Locknut 12PH135M | 22.00 | | 41.50 |
| I indexeur équipé du galet | 21.50 | | 32.00 | Nut M10X1 | 31.10 |
| Indexeur monté complet | 21.50 | | 33.40 | | 31.40 |
| Indexor spring | 21.50 | | 34.00 | | 33.10 |
| Inlet hose 17mm | 19.30 | | 40.10 | | 33.40 |
| Inlet hose diam=35 lg=75mm | 19.00 | Locknut m3x0 | 41.50 | Nut M14x100 | 32.00 |
| Insert bache à huile | 22.00 | Locknut M6 | 37.00 | | 34.00 |
| Insert bache à huile M8 lg:15mm | 22.00 | | 37.01 | | 40.00 |
| Intérieur de filtre en ligne DASH 8 | 21.12 | | 39.00 | Nut M16 | 31.10 |
| J jeu de cales boitier pignon conique | 21.70 | M Main shaft | 21.40 | | 33.10 |
| Jeu de cales droite réglage roue conique | 21.60 | Male union dash3 | 37.80 | Nut M16 à gauche | 31.10 |
| Jeu de cales gauche réglage roue conique | 21.60 | @Master Cylinder Rear Ø20.6 | 37.01 | | 33.10 |
| Jeu de cales pour jeu denture planétaire | 21.60 | Master Relay | 80.00 | Nut m3 autobloquant nyloc | 34.00 |
| Jeu de cales précharge roulement | 21.70 | mat d'aileron arriere | 41.50 | Nut M4 c18.8 | 37.00 |
| Jeu de cales roulement 61808 | 21.10 | Menant gerotor | 21.11 | Nut M4X0 | 40.55 |
| Jeu de cales roulement 61809 | 21.10 | Mené gerotor | 21.11 | Nut M5 | 17.00 |
| Joint double lèvres viton Ø15x24x7 | 21.50 | module avant | 80.00 | | 19.00 |
| Joint double lèvres viton Ø8x15x5 | 21.12 | module chassis | 80.00 | | 19.30 |
| Joint inferieur Air-Jack AR | 39.00 | Moulding | 31.40 | | 31.40 |
| Joint inferieur Air-Jack AV | 39.00 | | 33.40 | | 33.40 |
| joint nbr (d.10x5mm) | 10.80 | Moulding Ø8xØ6x6 | 21.11 | | 36.10 |
| Joint plaque fermeture réservoir | 19.35 | Mounting bracket-Regulator | 19.30 | | 37.00 |
| Joint régulateur | 19.30 | | 36.10 | | 37.01 |
| Joint simple lèvres viton Ø35x45x7 | 21.11 | Moyeu ARD | 33.40 | | 40.00 |
| Joint simple lèvres viton Ø95x110x10 | 21.10 | Moyeu ARG | 33.40 | Nut M6 | 37.00 |
| Joint superieur Air-Jack | 39.00 | Moyeu AVD | 31.40 | Nut M8 | 32.00 |
| joint torique viton 114 | 19.30 | Moyeu AVG | 31.40 | | 32.10 |
| joint torique viton 4237 | 19.35 | N NAS bolt | 31.10 | | 33.10 |
| joint torique viton 4387 | 19.30 | | 32.00 | | 34.00 |
| Joint torique viton Ø130x2 | 21.10 | | 34.00 | | 37.01 |
| Joint torique viton Ø17x1 | 21.50 | NAS bolt 1304-15 | 36.00 | | 40.01 |
| Joint torique viton Ø17x2 | 21.12 | | 41.50 | | 41.00 |
| Joint torique viton Ø24x2 | 21.12 | NAS bolt 1304-20 | 36.00 | | 42.00 |
| Joint torique viton Ø28x2 | 21.12 | NAS bolt 1305-13 | 33.10 | | 55.00 |
| Joint torique viton Ø29x2 | 21.50 | NAS bolt 1305-16 | 32.10 | Nut m8 uni5588 (pas a gauche) | 42.00 |
| Joint torique viton Ø300x2 | 21.12 | NAS bolt 1305-22 | 32.00 | Nut-SIMMONDS M10 | 21.60 |
| Joint torique viton Ø44x2 | 21.20 | | 34.00 | Nut-SIMMONDS M12 pas de 150 | 21.10 |
| Joint torique viton Ø56x2 | 21.50 | NAS bolt 1306-13 | 31.10 | | 21.11 |
| Jonc d'arrêt Seeger RB30 | 21.30 | | 32.10 | | 21.12 |
| Jonc d'arrêt Seeger RB40 | 21.40 | | 33.10 | Nut-SIMMONDS M14 pas de 150 | 21.50 |
| K Kit bobinettes | 31.40 | NAS bolt 1307-62 | 31.10 | | 21.60 |
| | 33.40 | Needle roller bearing HK2012 | 21.11 | Nut-SIMMONDS M6 | 21.10 |
| kit boitiers freinage abs | 37.80 | Nut | 31.10 | | 21.30 |
| Kit plateaux d'autobloquant (30°/60°)-(45°/45°) | 21.60 | | 32.10 | Nut-SIMMONDS M7 | 21.11 |
| | | | 33.10 | | 21.50 |
| L lame inf.passage de roue arg. | 42.20 | | 34.00 | Nut-SIMMONDS M8 | 21.12 |
| Lame ressort anti-desserrage ecrou de précharge évo.1 | 21.60 | | 36.10 | | 21.60 |
| | | | 37.01 | Nut-Thin M5 Nylstop | 37.00 |

PARTS ALPHABATIC INDEX

| Description | Boards | Description | Boards | Description | Boards |
|--------------------------------------|--------|-------------------------------------|--------|--|--------|
| O O ring | 19.30 | Planétaire zérol évo. 14 dents | 21.60 | Ressort Air-Jack AV | 39.00 |
| O ring d3x82 | 39.00 | Plaque cassette | 21.10 | Ressort blanc 4.5 lb/in | 37.00 |
| O ring-Nitrile Ø10x1 | 29.00 | Plaque de fermeture AV | 21.11 | RESSORT BLEU K=13LB/IN | 37.00 |
| O ring-Nitrile Ø 10 x 2 | 21.60 | Plaque de fermeture fourreau axe de | 21.50 | ressort compression 2x12x50 | 29.00 |
| O ring-Nitrile Ø 12 x 2 | 21.11 | commande | | ressort extension pedale accel. | 37.00 |
| O ring-Nitrile Ø14x2 | 21.11 | Plaque de retenue | 21.60 | ressort maintien anneau remorqu. | 55.00 |
| O ring-Nitrile Ø250x2 | 21.11 | Plaque fermeture de sélection | 21.50 | Ressort noir 3.5 lb/in | 37.00 |
| O ring-Nitrile Ø7x2 | 21.11 | Plaque fermeture reservoir | 19.35 | Ressort pédale | 37.00 |
| O ring-Nitrile Ø85x2 | 21.70 | Platine puit de jauge | 19.30 | RESSORT PEDALE JAUNE K=5 LB/IN | 37.00 |
| O ring Ø10x2 | 21.50 | Poignée de porte extérieure G | 50.00 | RESSORT VERT 11 LB/IN | 37.00 |
| Outil réglage précharge | 21.60 | Poignée de porte intérieure G | 50.00 | reverse gear wheel 42 dents | 21.40 |
| P palier a colerette igus efom-20 | 37.00 | Pompe à essence BP | 19.30 | RH Rear brake caliper | 33.40 |
| PANNEAU DE PORTE GAUCHE INT. | 50.00 | @Pompe à essence HP | 19.30 | rocker arriere assemble | 34.00 |
| panneau exterieur droit | 40.50 | porte droite | 40.50 | Rod end bearing | 31.10 |
| panneau exterieur gauche | 40.50 | Porte moyeu ARD | 33.40 | | 32.00 |
| panneau interieur droit | 40.50 | Porte moyeu ARD complet | 33.40 | | 32.10 |
| panneau interieur gauche | 40.50 | Porte moyeu ARG | 33.40 | | 33.10 |
| PANNEAU SWITCH | 83.00 | Porte moyeu ARG complet | 33.40 | | 34.00 |
| PAP Permaglide bush 1010 P10 | 21.11 | Porte moyeu AVD complet | 31.40 | | 36.10 |
| | 21.60 | Porte moyeu AVG complet | 31.40 | Rod end bearing-UNIBAL | 31.10 |
| pare brise rs-01 | 54.00 | Porte - roulement | 21.20 | Rod end bearing-UNIBAL SF5 | 37.00 |
| passage de roue ar. droit | 40.60 | Porte roulement tulipe | 21.10 | Rod end bearing-UNIBAL smg8 | 42.00 |
| passage de roue ar. gauche | 40.60 | Poussant AV | 31.10 | Rod end bearing-UNIBAL smgl8 | 42.00 |
| passage roue avd.(partie ar.) | 40.60 | Poussoir de cliquet assemblé | 21.50 | rondelle acier diam=12 | 40.10 |
| passage roue avd.(partie avant) | 40.60 | Power steering pump | 36.10 | Rondelle anti desserrage | 21.30 |
| passage roue avg.(partie ar.) | 40.60 | Prolongateur pédale embray.40mm | 37.00 | | 21.40 |
| passage roue avg.(partie avant) | 40.60 | protection avant radiateur eau | 40.70 | Rondelle anti desserrage 51 cannelures | 21.70 |
| Patin pédale accélérateur | 37.00 | protection avant radiateur huile | 40.70 | Rondelle axe de selecteur | 21.50 |
| patin pedale de frein | 37.01 | Protection pompe HP | 19.30 | Rondelle calage rotule | 21.11 |
| Patin spliter D | 42.00 | Puit de reservoir | 19.30 | | 21.50 |
| Patin spliter G | 42.00 | Q Quick release pin DIAM=6MM | 50.00 | Rondelle d'étanchéité BS-10 (10 | 21.11 |
| patte droite maintien nez avant | 41.00 | R raccord adaptateur | 19.30 | rondelle demi-lune | 36.00 |
| patte gauche maintien nez avant | 41.00 | | 37.80 | rondelle demi-lune d=31 | 36.00 |
| PEDALE DE FREIN | 37.01 | raccord banjo 776-06d | 39.00 | Rondelle de roulement | 32.00 |
| Pied Air-Jack AR | 39.00 | Raccord femelle dash3 | 37.80 | | 34.00 |
| Pied Air-Jack AV | 39.00 | Raccord femelle remplissage | 19.35 | rondelle diametre 6 | 19.35 |
| Pignon prise de force ligne primaire | 21.20 | Raccord goodridge | 37.01 | | 37.00 |
| Pignon réglage précharge | 21.60 | Raccord goodridge 776-03P | 37.01 | | 37.01 |
| Pin Ø2.5x18 | 21.50 | Raccord staubli | 39.00 | Rondelle entretoise Air-Jack AR | 40.10 |
| PION POSITION ROUE | 31.40 | RADIA.HUILE G. | 21.90 | Rondelle entretoise Air-Jack AV | 39.00 |
| | 33.40 | radiateur huile moteur | 10.80 | Rondelle goodridge | 19.30 |
| Piste indexage | 21.50 | Rain light | 41.50 | Rondelle goodridge | 19.30 |
| piston de transmission | 29.00 | Rallonge arbre primaire | 21.30 | RONDELLE MOLE'TEE M10 | 31.10 |
| PIVOT BASCULEUR | 32.00 | Rallonge d'arbre secondaire évo. | 21.40 | rondelle moletée m8 | 33.10 |
| | 34.00 | Rapport 1ère-2ème 14/36-16/32 | 21.30 | Rondelle PM AR | 33.10 |
| | 40.00 | Régleur poussant AV | 31.10 | Rondelle porte moyeu | 31.10 |
| Plain washer M4 brut | 21.12 | | 33.10 | ROTULE UNIBALL | 31.10 |
| Plain washer Ø4 | 40.55 | renfort ard.arceau | 40.10 | | 33.10 |
| plancher arriere | 42.20 | renfort arg.arceau | 40.10 | Roue 32 dents (16 / 32) | 21.40 |
| plancher laterale droit | 42.10 | Renvoi de M-AR | 21.10 | Roue 36 dents (14 / 36) | 21.40 |
| plancher laterale gauche | 42.10 | REPOSE-PIED (COTE GAUCHE) | 37.01 | Rouleau cylindrique RC 10x14 | 21.70 |
| | | Ressort Air-Jack AR | 39.00 | | |

PARTS ALPHABATIC INDEX

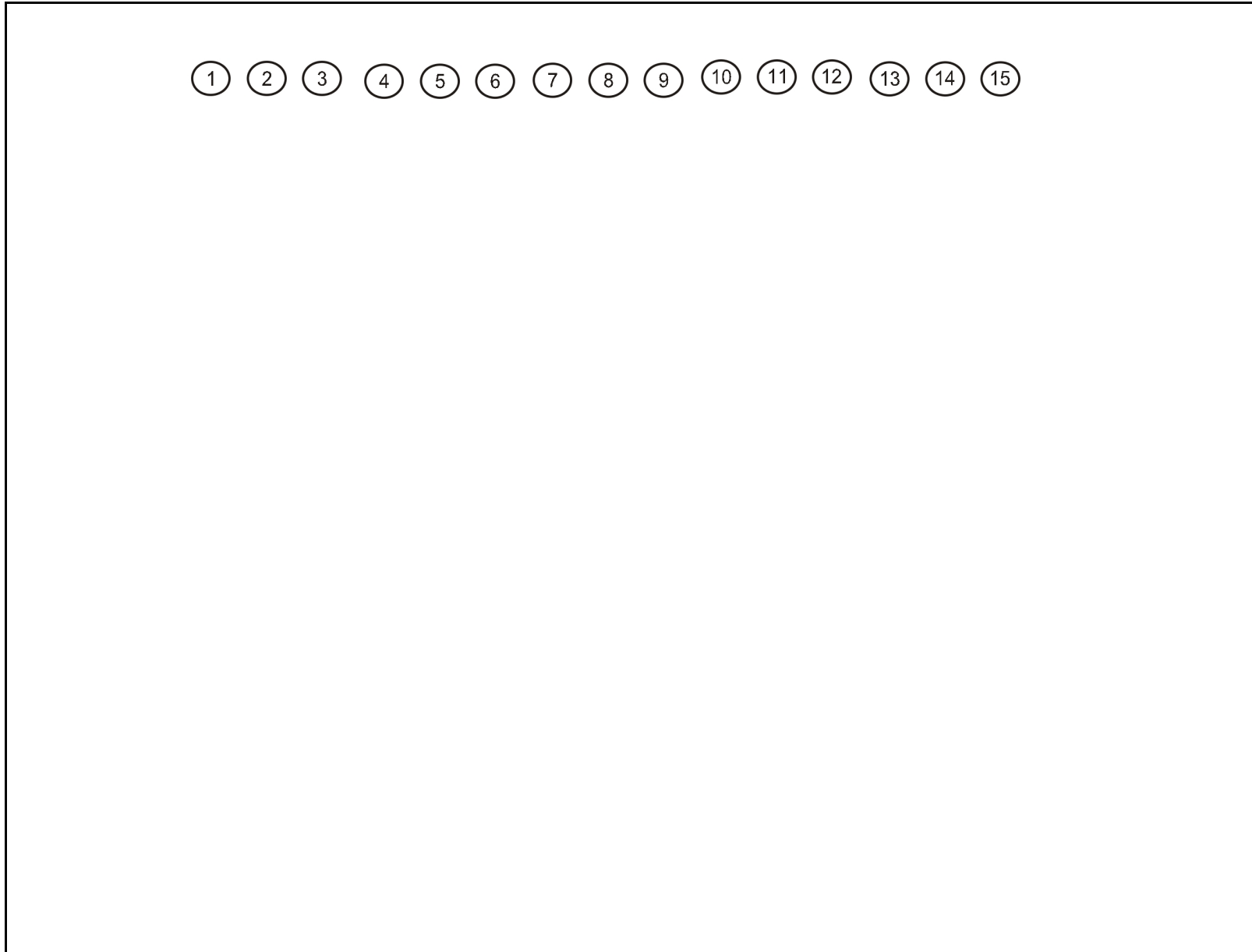
| Description | Boards | Description | Boards | Description | Boards |
|------------------------------|--------|----------------------------------|--------|-----------------------------------|--------|
| Roulement conique L507949 | 21.70 | sortie radiateur huile | 40.70 | support butee rocker avant | 32.00 |
| Roulement conique L624549 | 21.60 | soufflet transmission cote bv | 29.00 | support capteur accelerometre | 17.00 |
| Roulement conique LL510749 | 21.60 | Spacer 18x20 l=19 | 33.40 | Support Capteur pression de frein | 37.01 |
| ROULEMENT NTA | 32.00 | Spacer m12 inf.monocoque | 40.01 | Support conduit air ARD | 33.80 |
| | 34.00 | Spacer-Primary shaft | 21.30 | | 40.60 |
| Roulement NU 1009 complet | 21.30 | Spacer-Sensor | 36.10 | Support conduit air ARG | 33.80 |
| Roulement roue AV | 31.40 | splitter AV | 42.00 | | 40.60 |
| roulement skf 100x127x13 | 33.40 | Spring | 31.40 | support crash-box avant | 41.00 |
| S Sangle de porte Sabelt | 50.00 | | 33.40 | Support D | 40.60 |
| Satellite zérol évo. 9 dents | 21.60 | Spring 1000 lb/in | 32.00 | Support D alimentation | 19.35 |
| Screw | 37.00 | Spring 1100 lb/in | 32.00 | SUPPORT DASH | 83.00 |
| Screw F M5X12 | 37.01 | Spring 1200 lb/in | 34.00 | Support D capteur | 34.00 |
| | 42.20 | Spring 1300 lb/in | 34.00 | Support D capteur vitesse | 31.40 |
| Screw M3-8 | 29.00 | Spring 900 lb/in | 32.00 | | 33.40 |
| Screw M6x16 Cl 10.9 ZN | 21.20 | Steering tierod | 36.10 | support de pompe | 37.01 |
| Screw m6x50 cl.10/9 | 39.00 | Steering wheel | 36.00 | Support échangeur air D | 13.55 |
| Screw TBHC M5X-6 cl.12.9 | 36.10 | @Steering wheel hub | 36.00 | Support échangeur air G | 13.55 |
| Seal | 19.00 | Stud | 22.00 | SUPPORT ECU | 17.00 |
| | 39.00 | | 32.10 | support feu de pluie | 41.50 |
| | 21.11 | | 33.10 | support fixation crashbox ar. | 41.50 |
| Seal 72X2 | 29.00 | | 34.00 | support fixation plancher avant | 40.10 |
| Seal Ø70x2 | 39.00 | | 40.00 | support fixation plancher later. | 40.10 |
| Seeger ring SB110 | 21.10 | | 41.00 | support fixation tirant | 42.00 |
| Seeger ring SB63 | 21.70 | Stud 5/16 | 40.00 | Support G | 40.60 |
| Seeger ring SB85 | 21.10 | Stud m10 fix etrier | 31.40 | Support G alimentation | 19.35 |
| Seeger ring SW35 | 21.20 | | 33.40 | Support G capteur | 34.00 |
| Seeger ring SW37 | 21.70 | Stud M12 épaulé | 21.12 | Support G capteur vitesse | 31.40 |
| Seeger ring SW50 | 21.30 | Stud M12 épaulé centreur | 21.12 | | 33.40 |
| | 21.40 | Stud m12 fixation nez avant | 40.00 | support monocoque plancher d. | 40.10 |
| Seeger ring SW75 | 21.60 | Stud M12 Lg 47mm épaulé | 21.11 | support monocoque plancher g. | 40.10 |
| Selecting rod | 21.50 | Stud M12 Lg 50mm épaulé centreur | 21.11 | support pedale accelerateur | 37.00 |
| Selector bolt | 21.50 | Stud M5x18 | 31.40 | SUPPORT PLUG | 80.00 |
| Shaft | 37.01 | | 33.40 | SUPPORT POMPE D.A. | 36.10 |
| Shock absorber-Rear | 34.00 | Stud m6 | 10.80 | support potentiometre accelarat. | 37.00 |
| Shouldered bush | 21.70 | Stud M6X25 | 19.30 | support radiateur huile bv | 21.90 |
| Silenbloc | 10.80 | | 19.35 | SUPPORT RTCM ARRIERE | 80.00 |
| | 13.55 | Stud M7 épaulé | 21.10 | SUPPORT RTCM AVANT | 80.00 |
| | 19.00 | | 21.30 | Support soufflet | 29.00 |
| | 40.01 | Stud m8 fix.levier direction | 31.40 | SUPPORT SUP.COLONNE DE | 36.00 |
| | 41.00 | Stud M8 Lg 44mm épaulé | 21.12 | DIRECTION | |
| | 37.80 | Stud M8 Lg 47mm épaulé centreur | 21.12 | Support sup.échangeur D | 13.55 |
| Silentbloc | 80.00 | Sump plug- Magnetic insert | 21.11 | support Tirant plancher | 42.10 |
| Silentbloc m6 l=35mm | 41.00 | sup.avd.fix.plancher central | 40.10 | Support triangle inf | 31.10 |
| Silentbloc M6 LG=35MM | 36.10 | sup.inf.colonne de direction | 36.00 | | 33.10 |
| Silentbloc male/male | 17.00 | Support amortisseur | 32.00 | Support triangle sup | 31.10 |
| | 19.00 | | 34.00 | support vase expansion | 19.00 |
| Sliding ring 5 crabots | 21.40 | Support baladeur de M-AR | 21.40 | Switch mounting | 21.40 |
| socle pedalier | 37.01 | Support barre anti-roulis AV | 32.10 | switch panel variation luminosit | 83.00 |
| Sonde CTN SRC96 | 21.11 | SUPPORT BATTERIE | 80.00 | T thermostat d'eau | 19.00 |
| Sortie échappement D | 19.50 | Support bocal frein | 37.01 | tige amortisseur | 37.00 |
| Sortie échappement G | 19.50 | SUPPORT BOITIER ACQUISITION | 17.00 | TIGE FILETEE | 37.00 |
| sortie radiateur eau | 40.70 | Support butée rocker AR | 34.00 | tirant avant plancher laterale | 42.10 |

PARTS ALPHABATIC INDEX

| Description | Boards | Description | Boards | Description | Boards |
|----------------------------------|--------|---------------------------|--------|----------------------------------|--------|
| tirant avant tirant splitter | 42.00 | Tuyau Rigide frein AVD | 37.80 | VIS CB M6X16 | 37.01 |
| Tirant BAR AV | 32.10 | Tuyau Rigide frein D | 37.80 | | 42.20 |
| tirant central plancher laterale | 42.10 | Tuyau Rigide frein G | 37.80 | VIS CB M6X20 CL:10.9 | 36.00 |
| tirant plancher laterale gauche | 42.10 | tuyau sortie hp.essence | 19.30 | | 83.00 |
| Tirant triangle inf AR | 33.10 | tuyau sortie pompe da | 36.10 | VIS CB M8-15 | 19.00 |
| toc d'entrainement | 31.40 | tuyau teflon Ø6 lg:1250mm | 19.30 | VIS CB M8X25 CL:10.9 | 13.55 |
| | 33.40 | U UNF nut 1/4 | 36.00 | vis de chape | 34.00 |
| Travel stop ép:0.8 | 33.40 | | 41.50 | Vis de planétaire | 21.60 |
| Travel stop ép:1 | 31.40 | UNF nut 3/8 | 31.10 | Vis de plombage CHC M6x18 cl12 | 21.10 |
| | 33.40 | | 32.10 | VIS FC M6X25 | 42.20 |
| Travel stop ép:1.2 | 33.40 | | 33.10 | VIS FC M8-40 | 37.01 |
| Travel stop ép:1.5 | 31.40 | UNF nut 5/16 | 31.10 | vis inox m3x10 | 41.50 |
| | 33.40 | | 32.00 | vis support butee | 32.00 |
| Travel stop ép:2 | 31.40 | | 32.10 | vis tbei 1/4-28 unf x3/4 iso7380 | 37.00 |
| | 33.40 | | 33.10 | vis tbei m3 lg:15 cl:10/9 | 31.40 |
| traverse arriere | 55.00 | | 34.00 | vis tcei m10-32 unf 1/2 cl:12/9 | 31.40 |
| TRAVERSE AVANT ALU | 55.00 | | 37.00 | | 33.40 |
| treillis avant droit | 40.60 | | 37.01 | vis tÊte fraisee m8x50 cl.10/9 | 41.50 |
| treillis avant gauche | 40.60 | UNF nut M6 | 10.80 | Vis triangle / PM AR | 33.10 |
| Triangle ARD inférieur | 33.10 | | 13.55 | vitre de porte droite | 54.00 |
| Triangle ARG inférieur | 33.10 | | 19.00 | vitre de porte gauche | 54.00 |
| Triangle inferieur AVD | 31.10 | | 19.30 | W Washer | 22.00 |
| triangle inferieur AVG | 31.10 | | 19.35 | | 31.10 |
| Triangle superieur AR | 33.10 | | 21.90 | | 32.00 |
| Triangle superieur AV | 31.10 | | 42.00 | | 32.10 |
| Tripode | 29.00 | | 42.10 | | 33.10 |
| tube arriere tirant splitter | 42.00 | | 37.80 | | 34.00 |
| TUBE DE PURGE | 19.00 | Upright-Front LH | 31.40 | | 36.00 |
| tube eau aluminium | 19.00 | Upright-Front RH | 31.40 | | 36.10 |
| TUBE EAU ALUMINIUM | 19.00 | V Valve alu | 35.00 | | 37.00 |
| tube echangeur huile bv | 21.90 | Valve de remplissage | 19.35 | | 41.50 |
| TUBE ESSENCE | 19.30 | valve recirculation | 13.55 | | 42.00 |
| tube retour echangeur huile bv | 21.90 | vase expansion | 19.00 | Washer 12 | 40.10 |
| Tulipe | 29.00 | Venting adapter | 21.12 | Washer 4 | 31.40 |
| | 21.10 | verouillage capot avant | 55.00 | | 33.40 |
| Tuyau Air-Jack / valve staubli | 39.00 | verrou de securite | 40.55 | | 40.55 |
| Tuyau Air-Jack AR | 39.00 | Vis arrêtoir M6x100 | 21.10 | Washer 5 | 19.35 |
| Tuyau central Air-Jack | 39.00 | | 21.11 | | 31.40 |
| Tuyau D aspiration air | 13.55 | | 21.12 | Washer AN960-416 | 41.50 |
| tuyau droit air-jack | 39.00 | Vis bague externe | 21.70 | Washer diam:5mm | 19.00 |
| Tuyau D sortie échangeur | 13.55 | Vis Cbhc M4-10 | 17.00 | Washer DIAM=12 | 33.40 |
| tuyau entree pompe da | 36.10 | Vis CBHC M5-10 | 33.40 | Washer DIAM4 | 17.00 |
| tuyau entree refroidisseur air | 13.55 | | 33.80 | | 83.00 |
| tuyau ess. puit reservoir/raccor | 19.35 | Vis CBHC M6-30 | 50.00 | Washer DIAM6 | 41.50 |
| Tuyau G aspiration air | 13.55 | Vis CBLx épaulée M6-20.4 | 50.00 | Washer m6 | 19.35 |
| tuyau gauche air-jack | 39.00 | VIS CB M4X12 | 40.55 | Washer Ø10 | 31.40 |
| Tuyau G sortie échangeur | 13.55 | VIS CB M4X15 | 54.00 | | 33.40 |
| Tuyau huile | 10.80 | VIS CB M5X12 | 31.80 | | 40.10 |
| Tuyau remplissage huile | 10.80 | | 33.80 | Washer Ø18 | 19.30 |
| Tuyau Rigide frein ARD | 37.80 | | 50.00 | Washer Ø3 | 31.40 |
| Tuyau Rigide frein ARG | 37.80 | VIS CB M6-30 | 36.00 | | 34.00 |
| Tuyau Rigide frein AV | 37.80 | | 37.00 | | 41.50 |

PARTS ALPHABATIC INDEX

| Description | Boards | Description | Boards | Description | Boards |
|---------------------|--------|-------------|--------|-------------|--------|
| Washer Ø5 | 19.00 | | | | |
| | 31.40 | | | | |
| | 31.80 | | | | |
| | 33.40 | | | | |
| | 33.80 | | | | |
| | 37.00 | | | | |
| | 40.00 | | | | |
| | 42.20 | | | | |
| | 50.00 | | | | |
| Washer Ø5.3 | 37.00 | | | | |
| Washer Ø6 | 10.80 | | | | |
| | 13.55 | | | | |
| | 19.00 | | | | |
| | 19.30 | | | | |
| | 19.35 | | | | |
| | 21.90 | | | | |
| | 33.80 | | | | |
| | 36.00 | | | | |
| | 37.00 | | | | |
| | 37.01 | | | | |
| | 39.00 | | | | |
| | 41.00 | | | | |
| | 42.10 | | | | |
| | 42.20 | | | | |
| | 80.00 | | | | |
| | 83.00 | | | | |
| | 37.80 | | | | |
| Washer Ø6x14 ép:1,2 | 17.00 | | | | |
| | 80.00 | | | | |
| Washer Ø8 | 13.55 | | | | |
| | 19.00 | | | | |
| | 32.00 | | | | |
| | 32.10 | | | | |
| | 34.00 | | | | |
| | 36.00 | | | | |
| | 37.00 | | | | |
| | 37.01 | | | | |
| | 41.00 | | | | |
| | 41.50 | | | | |
| | 42.00 | | | | |
| Water radiator | 19.00 | | | | |
| Wheel Front | 35.00 | | | | |
| Wheel Rear | 35.00 | | | | |
| X x | 10.80 | | | | |



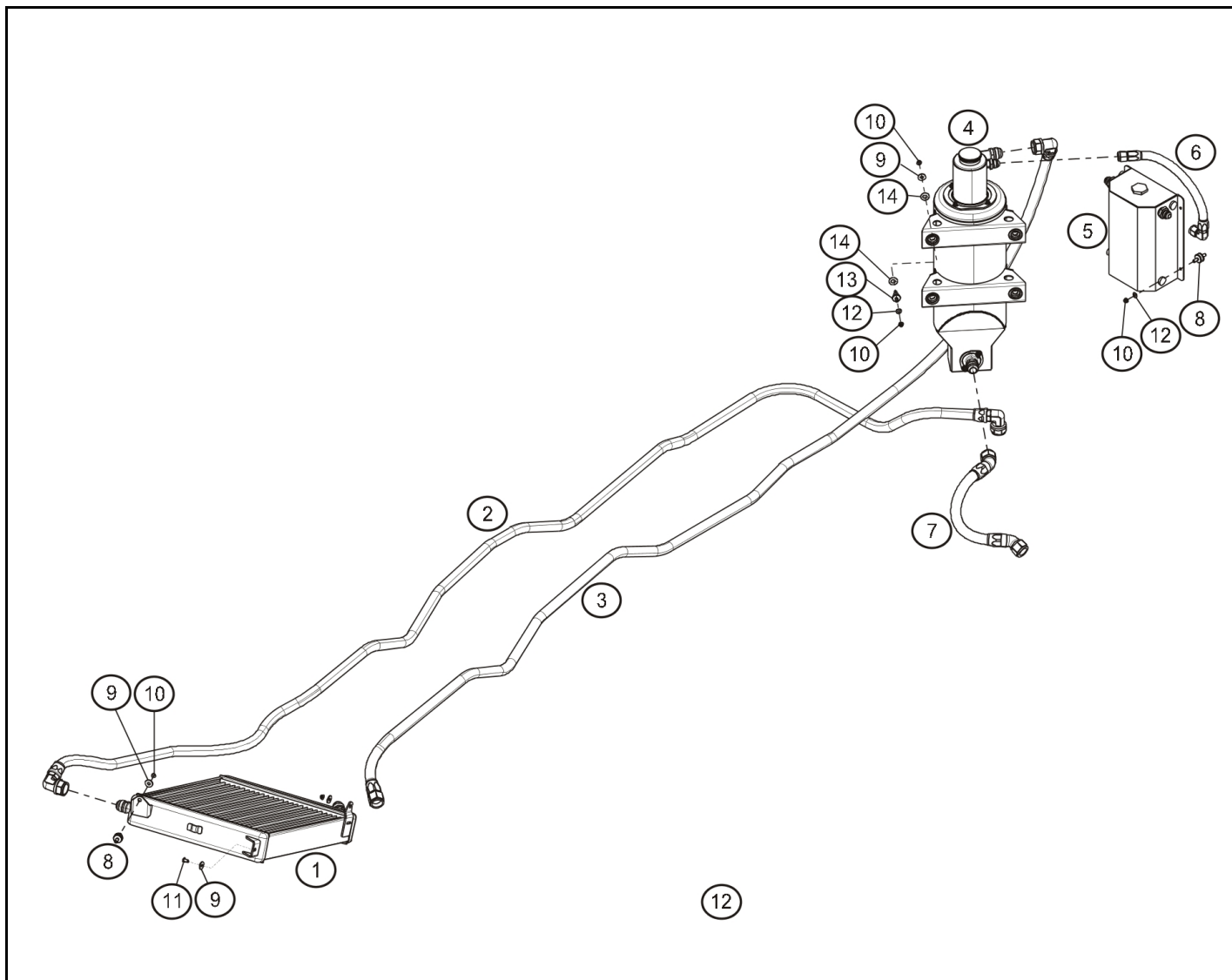




R.S.01

RENAULT SPORT R.S.01

10.80



| Rep. | Reference | Description | Coef |
|------|----------------------|------------------------------|------|
| 1 | 82 01 579 115 | radiateur huile moteur | 1 |
| 2 | 82 01 579 119 | Durite huile moteur/Radia | 1 |
| 3 | 82 01 579 120 | Durite huile Radia/reservoir | 1 |
| 4 | 82 01 579 118 | x | 1 |
| 5 | 82 01 579 117 | x | 1 |
| 6 | 82 01 579 121 | Tuyau huile | 1 |
| 7 | 82 01 579 122 | Tuyau remplissage huile | 1 |
| 8 | 77 11 159 959 | Silenbloc | 5 |
| 9 | 77 11 159 748 | Washer Ø6 | 7 |
| 10 | 77 11 159 269 | UNF nut M6 | 11 |
| 11 | 77 11 165 189 | BHS Bolt M6-10 | 1 |
| 12 | 77 11 159 261 | Washer Ø6 | 8 |
| 13 | 82 01 591 596 | Stud m6 | 4 |
| 14 | 82 01 591 598 | joint nbr (d.10x5mm) | 8 |



avr.-2015



RENAULT SPORT

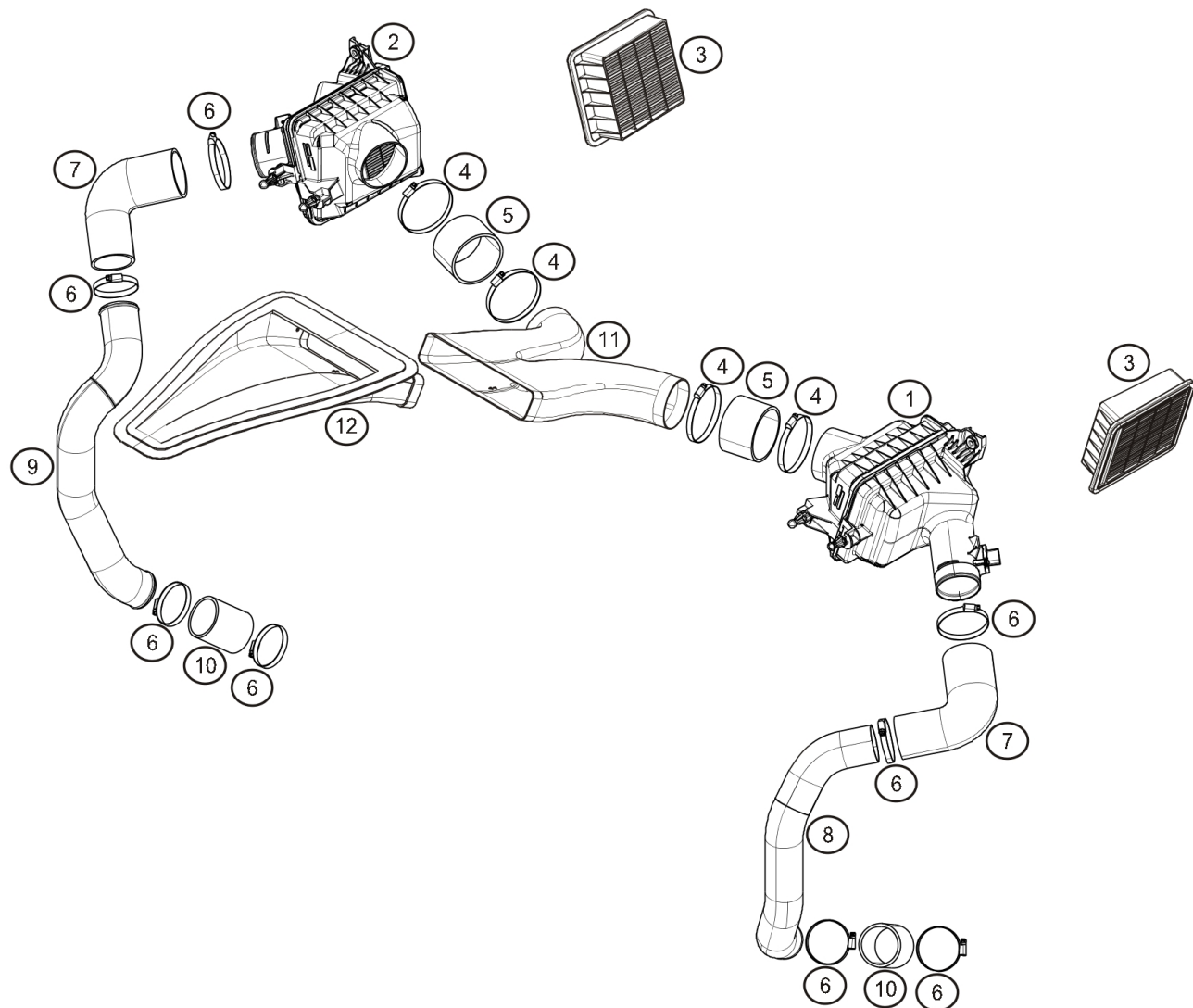
10.80



R.S.01

RENAULT
SPORT **R.S.01**

13.50



| Rep. | Reference | Description | Coef |
|------|---------------|----------------------------------|------|
| 1 | 82 01 579 694 | Boitier filtre air G | 1 |
| 2 | 82 01 579 693 | Boitier filtre air D | 1 |
| 3 | 82 01 579 695 | Air filter | 2 |
| 4 | 82 01 579 751 | Clamp Ø80-100 | 4 |
| 5 | 82 01 579 746 | Durite silicone Ø83x92mm | 2 |
| 6 | 77 11 161 838 | Clamp Ø60-80 | 8 |
| 7 | 82 01 579 749 | durite 90° sortie boitier filtre | 2 |
| 8 | 82 01 579 745 | Conduit G sortie filtre à air | 1 |
| 9 | 82 01 579 744 | Conduit D sortie filtre à air | 1 |
| 10 | 82 01 579 747 | Durite silicone Ø60x69mm | 2 |
| 11 | 82 01 579 743 | 2 en 1 Naca de toit | 1 |



juil.-2015



RENAULT SPORT

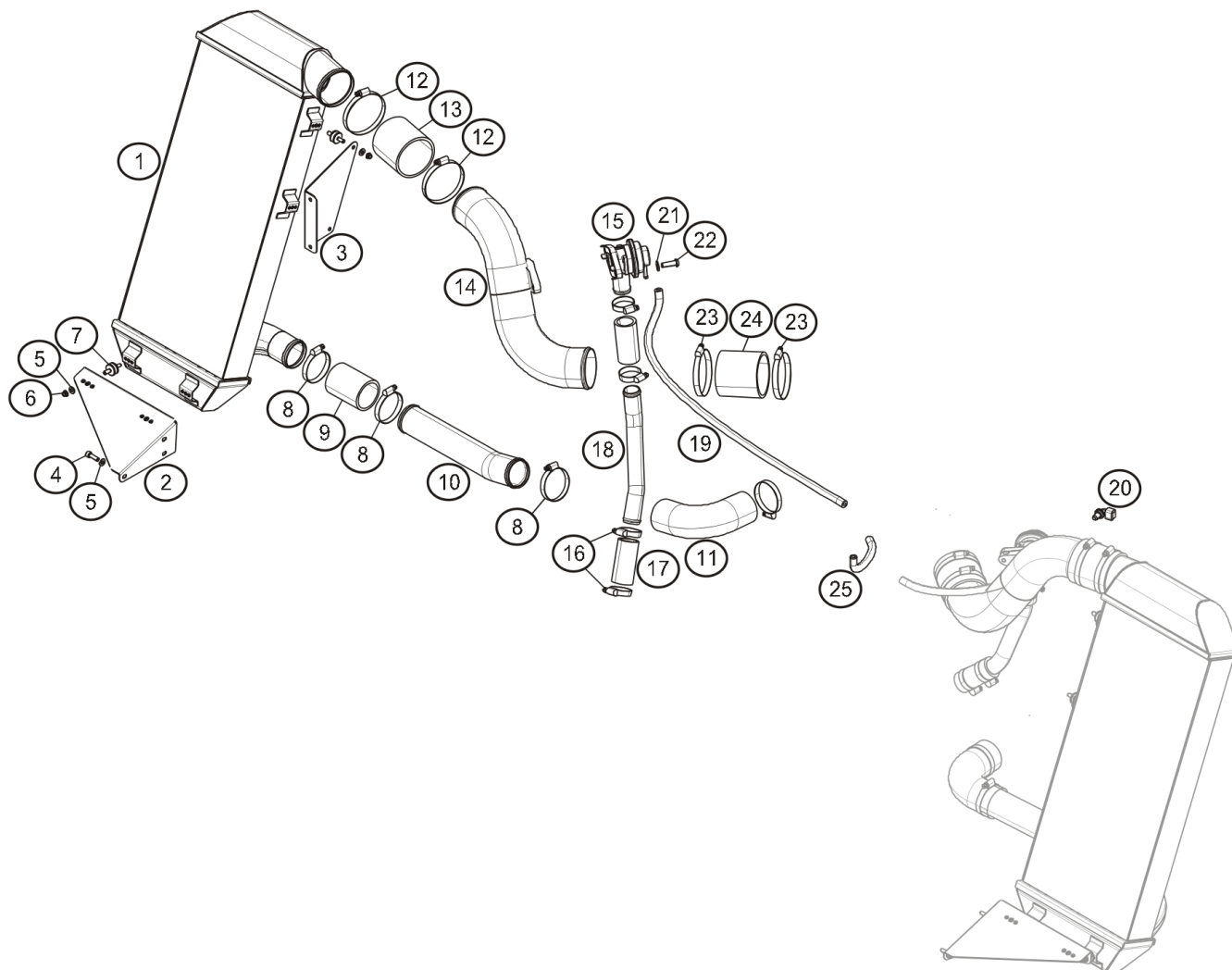
13.50



R.S.01

RENAULT SPORT R.S.01

13.55



| Rep. | Reference | Description | Coef |
|------|----------------------|--------------------------------|------|
| 1 | 82 01 591 471 | Echangeur air G | 1 |
| | 82 01 591 470 | Echangeur air D | 1 |
| 2 | 82 01 591 444 | Support échangeur air G | 1 |
| | 82 01 588 660 | Support échangeur air D | 1 |
| 3 | 82 01 591 472 | Support sup.échangeur D | 1 |
| 4 | 77 11 159 296 | CHS Bolt M6 | 1 |
| 5 | 77 11 159 261 | Washer Ø6 | 1 |
| 6 | 77 11 159 269 | UNF nut M6 | 1 |
| 7 | 77 11 159 959 | Silenbloc | 8 |
| 8 | 77 11 165 168 | Clamp Ø40-60 | 8 |
| 9 | 82 01 591 465 | durite silicone Ø48 Lg:75mm | 2 |
| 10 | 82 01 591 473 | tuyau entree refroidisseur air | 2 |
| 11 | 82 01 591 464 | durite 90° entree echangeur | 2 |
| 12 | 77 11 161 838 | Clamp Ø60-80 | 4 |
| 13 | 82 01 591 466 | Durite silicone Ø70 Lg:75mm | 2 |
| 14 | 82 01 591 476 | Tuyau G sortie échangeur | 1 |
| | 82 01 591 475 | Tuyau D sortie échangeur | 1 |
| 15 | 14 48 3JF 00B | valve recirculation | 2 |
| 16 | 77 11 159 956 | Clamp Ø25-40 | 8 |
| 17 | 82 01 591 468 | Durite silicone Ø28 Lg:75mm | 4 |
| 18 | 82 01 591 469 | Tuyau G aspiration air | 1 |
| | 82 01 591 467 | Tuyau D aspiration air | 1 |
| 20 | 77 11 166 805 | Capteur Tair | 1 |
| 21 | 77 11 159 267 | Washer Ø8 | 1 |
| 22 | 77 11 159 282 | VIS CB M8X25 CL:10.9 | 1 |
| 23 | 82 01 579 751 | Clamp Ø80-100 | 4 |
| 24 | 82 01 579 746 | Durite silicone Ø83x92mm | 2 |



juil.-2015



RENAULT SPORT

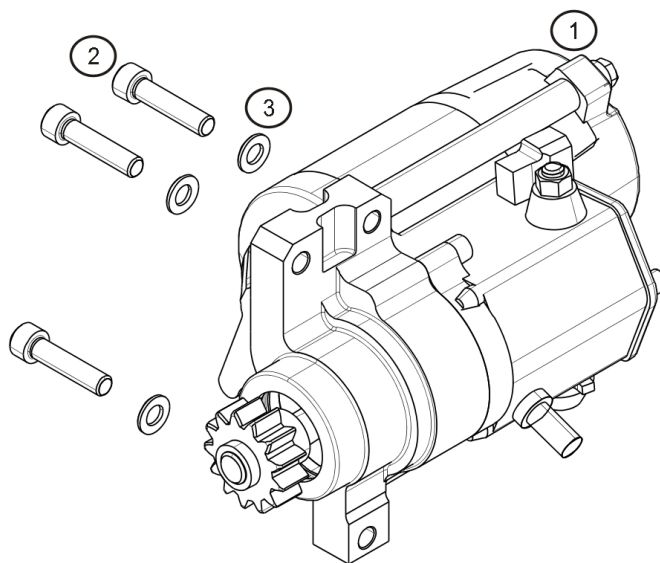


R.S.01

**RENAULT
SPORT R.S.01**

16.00

Rep. Reference Description Coef



RENAULT SPORT

avr.-2015



RENAULT

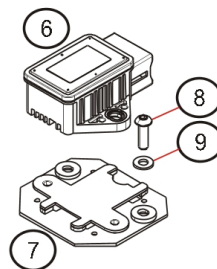
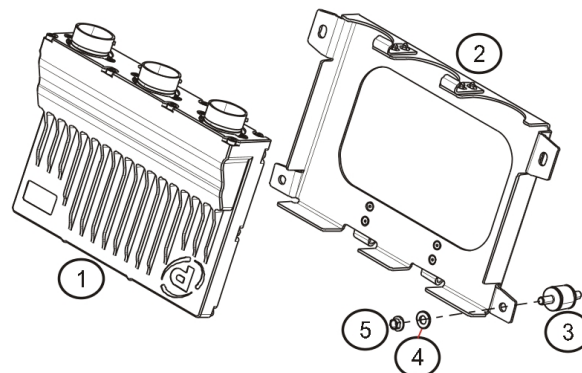
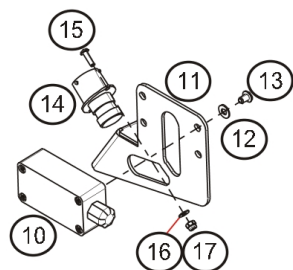
16.00



R.S.01

RENAULT
SPORT **R.S.01**

17.00



| Rep. | Reference | Description | Coef |
|------|----------------------|--------------------------------|------|
| 1 | 82 01 575 830 | ECU | 1 |
| 2 | 82 01 601 742 | SUPPORT ECU | 1 |
| 3 | 82 01 576 931 | Silentbloc male/male | 4 |
| 4 | 77 11 156 946 | Washer Ø6x14 ép:1,2 | 4 |
| 5 | 77 11 159 375 | Nut M5 | 4 |
| 6 | 82 01 586 516 | capteur accelerometre yaw | 1 |
| 7 | 82 01 586 517 | support capteur accelerometre | 1 |
| 10 | 98 CU P00 123 | Cellule chronomètre | 1 |
| 11 | 82 01 601 740 | SUPPORT BOITIER ACQUISITION | 1 |
| 12 | 77 11 159 368 | Washer DIAM4 | 1 |
| 13 | 77 11 065 767 | Vis Cbhc M4-10 | 4 |
| 100 | 82 01 586 557 | cable acquisition data | 1 |



RENAULT SPORT

avr.-2015



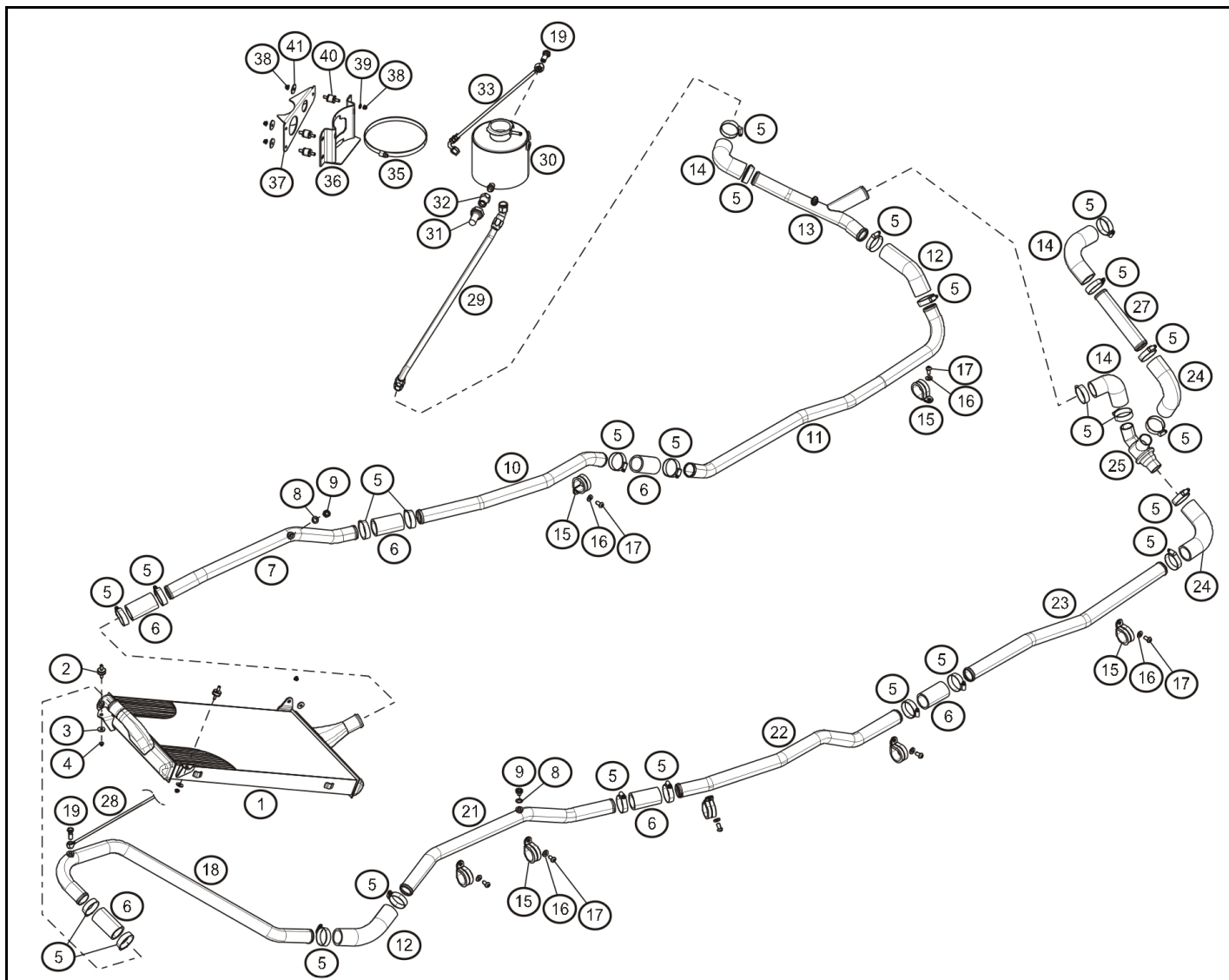
17.00



R.S.01

RENAULT SPORT R.S.01

19.00



| Rep. | Reference | Description | Coef |
|------|---------------|----------------------------|------|
| 1 | 82 01 576 916 | Water radiator | 1 |
| 2 | 77 11 159 959 | Silenbloc | 2 |
| 3 | 77 11 159 748 | Washer Ø6 | 3 |
| 4 | 77 11 159 269 | UNF nut M6 | 3 |
| 6 | 82 01 576 926 | Inlet hose diam=35 lg=75mm | 1 |
| 7 | 82 01 576 921 | tube eau aluminium | 1 |
| 8 | 77 11 154 957 | Seal | 2 |
| 9 | 77 11 154 295 | Cap | 2 |
| 10 | 82 01 576 922 | tube eau aluminium | 1 |
| 11 | 82 01 576 924 | tube eau aluminium | 1 |
| 12 | 82 01 601 748 | Durite silicone coude 45° | 2 |
| 13 | 82 01 601 744 | TUBE EAU ALUMINIUM | 1 |
| 14 | 82 01 576 927 | durite silicone 90° | 1 |
| 15 | 82 01 576 937 | collier rsgu 1.35/15 | 1 |
| 16 | 77 11 159 267 | Washer Ø8 | 7 |
| 17 | 77 11 161 899 | VIS CB M8-15 | 7 |
| 18 | 82 01 576 919 | tube eau aluminium | 1 |
| 19 | 77 11 159 888 | Banjo bolt | 2 |
| 21 | 82 01 576 920 | tube eau aluminium | 1 |
| 22 | 82 01 576 923 | tube eau aluminium | 1 |
| 23 | 82 01 576 925 | tube eau aluminium | 1 |
| 24 | 82 01 586 578 | durite de reduction 90° | 1 |
| 25 | 82 01 579 123 | thermostat d'eau | 1 |
| 28 | 82 01 601 745 | TUBE DE PURGE | 1 |
| 29 | 82 01 576 932 | flexible a eau | 1 |
| 30 | 82 01 576 928 | vase expansion | 1 |
| 32 | 82 01 576 936 | fixation capteur pression | 1 |
| 33 | 82 01 601 747 | TUBE DE PURGE | 1 |
| 35 | 77 11 166 148 | Extinguisher collar | 1 |
| 36 | 82 01 576 930 | support vase expansion | 1 |
| 38 | 77 11 159 375 | Nut M5 | 6 |
| 39 | 77 11 159 263 | Washer Ø5 | 3 |
| 40 | 82 01 576 931 | Silentbloc male/male | 3 |
| 41 | 82 01 576 935 | Washer diam:5mm | 3 |



juil.-2015



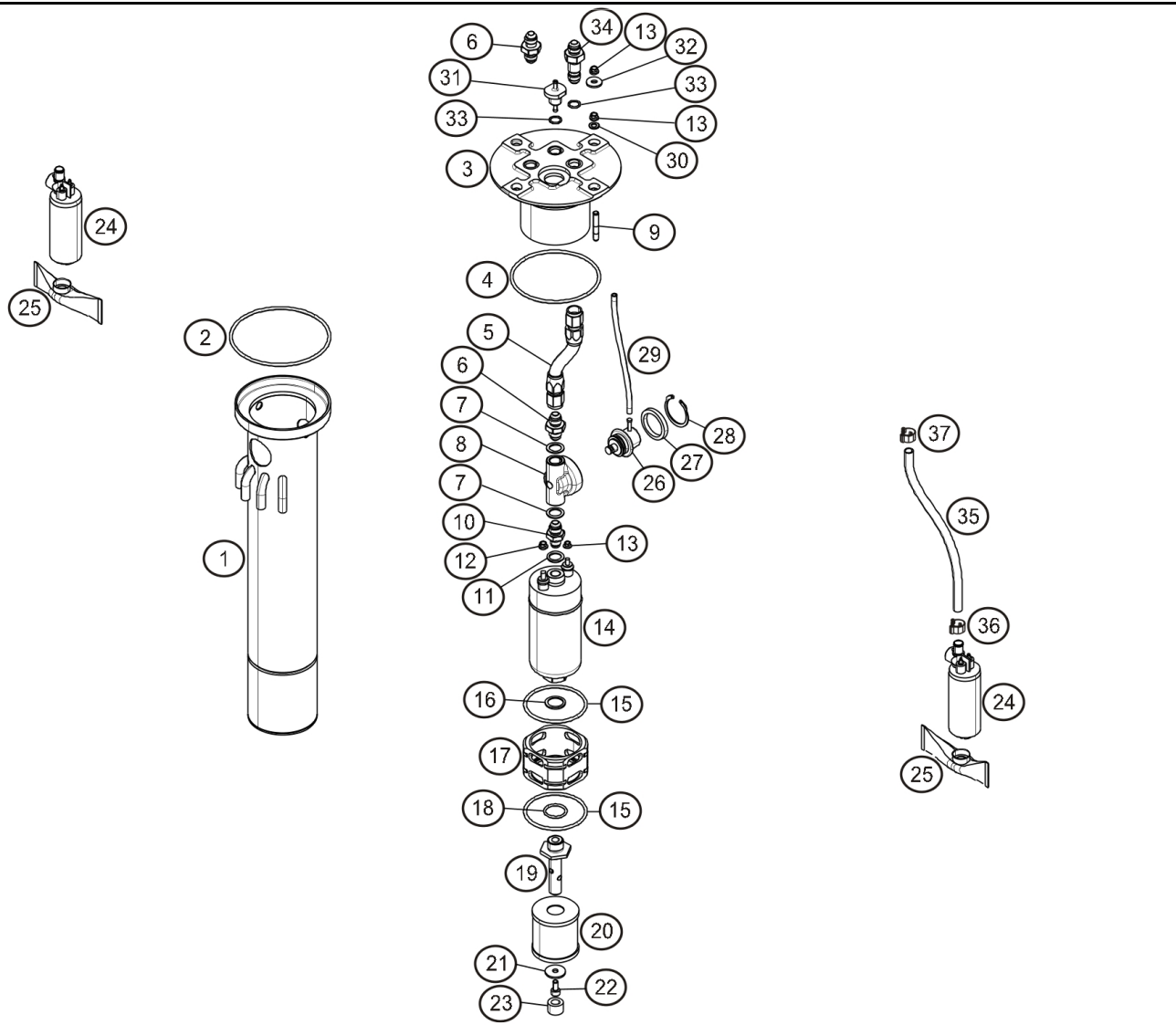
RENAULT SPORT



R.S.01

RENAULT SPORT R.S.01

19.30



| Rep. | Reference | Description | Coef |
|------|-----------------|-----------------------------|------|
| 1 | 82 01 601 722 | Puit de reservoir | 1 |
| 3 | 82 01 601 723 | Platine puit de jauge | 1 |
| 4 | 82 01 579 127 | joint torique viton 4387 | 1 |
| 5 | 82 01 577 890 | tuyau sortie hp.essence | 1 |
| 6 | 77 11 163 602 | Adaptator | 2 |
| 7 | 77 11 165 422 | Rondelle goodridge | 2 |
| 8 | 82 01 601 726 | Mounting bracket-Regulator | 1 |
| 9 | 77 11 159 456 | Stud M6X25 | 4 |
| 10 | 82 01 600 242 | raccord adaptateur | 1 |
| 11 | 77 11 050 940 | Copper washer Ø14x20 ép:1mm | 1 |
| 12 | 77 11 159 375 | Nut M5 | 1 |
| 13 | 77 11 159 269 | UNF nut M6 | 9 |
| 14 | ® 77 11 165 265 | Pompe à essence HP | 1 |
| 15 | 82 01 576 933 | O ring | 2 |
| 16 | 77 11 165 344 | Washer Ø18 | 1 |
| 17 | 82 01 601 733 | Protection pompe HP | 1 |
| 18 | 77 11 161 844 | O ring | 1 |
| 19 | 77 11 161 843 | GUIDE FILTRE | 1 |
| 20 | 77 11 161 845 | Fuel filter | 1 |
| 21 | 77 11 159 532 | Washer Ø6 | 1 |
| 22 | 82 01 600 288 | CHS Bolt M6-12 cl:8.8 | 1 |
| 23 | 77 11 161 848 | Inlet hose 17mm | 1 |
| 24 | 82 01 579 729 | Pompe à essence BP | 2 |
| 25 | 82 01 579 728 | Filtre pompe BP | 4 |
| 26 | 82 01 579 725 | Fuel pressure regulator | 1 |
| 27 | 82 01 601 729 | Joint régulateur | 1 |
| 28 | 82 01 601 728 | Circlip JV38 | 1 |
| 29 | 82 01 601 725 | TUBE ESSENCE | 1 |
| 31 | 82 01 601 724 | Air breather valve | 1 |
| 32 | 77 11 159 748 | Washer Ø6 | 1 |
| 33 | 82 01 579 125 | joint torique viton 114 | 2 |
| 34 | 82 01 601 727 | Grommet | 1 |
| 35 | 82 01 579 732 | tuyau teflon Ø6 lg:1250mm | 2 |
| 36 | 82 01 579 731 | Clip cobra 10 | 2 |
| 37 | 82 01 579 734 | clip cobra 11/7 | 2 |

avr.-2015



RENAULT SPORT

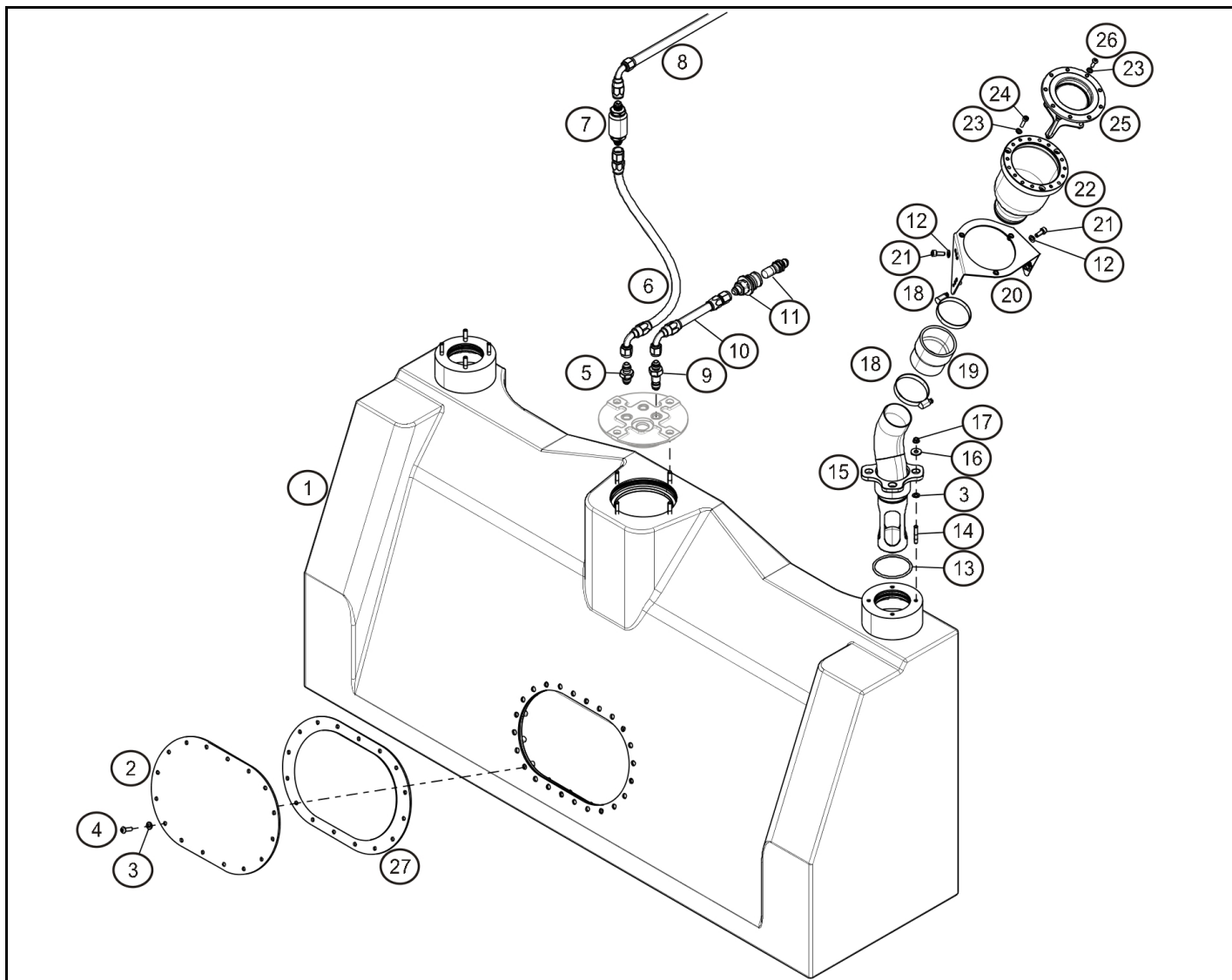




R.S.01

RENAULT SPORT R.S.01

19.35



| Rep. | Reference | Description | Coef |
|------|---------------|----------------------------------|------|
| 1 | 82 01 579 716 | Fuel cell | 1 |
| 2 | 82 01 579 718 | Plaque fermeture reservoir | 1 |
| 3 | 82 01 579 722 | Washer m6 | 24 |
| 4 | 82 01 579 720 | CHS Bolt m6x16 | 24 |
| 5 | 77 11 163 602 | Adaptator | 1 |
| 7 | 82 01 579 726 | clapet anti-retour | 1 |
| 9 | 82 01 601 727 | Grommet | 1 |
| 10 | 82 01 583 668 | tuyau ess. puit reservoir/raccor | 1 |
| 11 | 77 11 154 997 | Coupleur prélèvement essence | |
| 12 | 82 01 588 605 | rondelle diametre 6 | 16 |
| 13 | 82 01 579 126 | joint torique viton 4237 | 2 |
| 14 | 77 11 159 456 | Stud M6X25 | 8 |
| 15 | 82 01 601 730 | Goulotte remplissage essence | 2 |
| 16 | 77 11 159 748 | Washer Ø6 | 8 |
| 17 | 77 11 159 269 | UNF nut M6 | 8 |
| 18 | 77 11 165 133 | Collier fix echappement Ø50-70 | 4 |
| 19 | 82 01 601 732 | Fuel filling pipe | 2 |
| 20 | 82 01 576 934 | Support G alimentation | 1 |
| | 82 01 576 938 | Support D alimentation | 1 |
| 21 | 77 11 158 344 | CHS Bolt M6-16 | 8 |
| 22 | 82 01 601 731 | Valve de remplissage | 2 |
| 23 | 77 11 159 496 | Washer 5 | 24 |
| 24 | 77 11 159 501 | CHS Bolt M5-20 | 6 |
| 25 | 82 01 579 724 | Raccord femelle remplissage | 2 |
| 26 | 77 11 159 347 | BHS Bolt M5-16 | 18 |
| 27 | 82 01 579 719 | Joint plaque fermeture réservoir | 1 |



juil.-2015



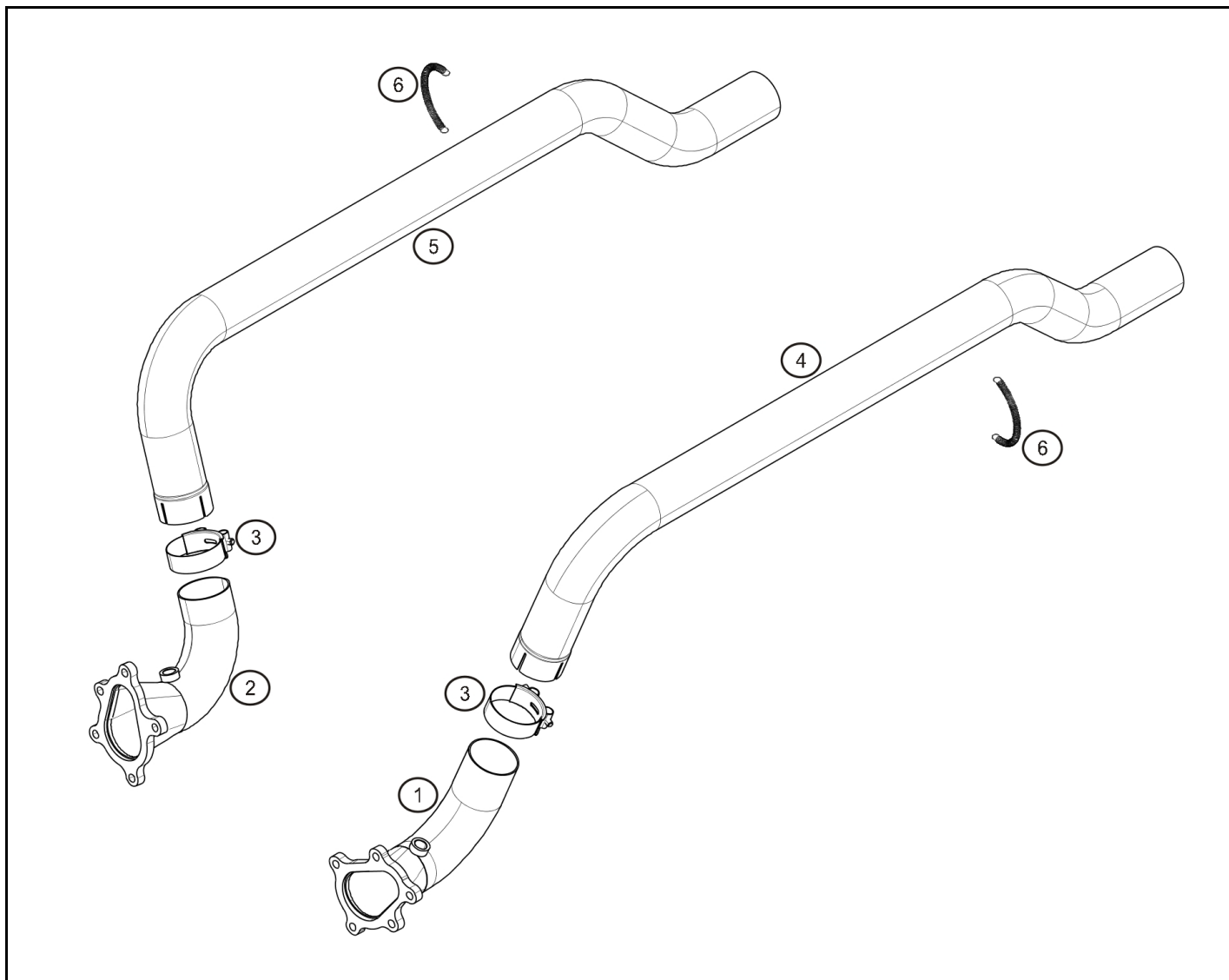
RENAULT SPORT



R.S.01

RENAULT
SPORT **R.S.01**

19.50



| Rep. | Reference | Description | Coef |
|------|----------------------|--------------------------|------|
| 1 | 82 01 586 568 | Coude sortie turbo G | 1 |
| 2 | 82 01 586 569 | Coude sortie turbo D | 1 |
| 3 | 82 01 586 572 | Exhaust collar | 2 |
| 4 | 82 01 586 570 | Sortie échappement G | 1 |
| 5 | 82 01 586 571 | Sortie échappement D | 1 |
| 6 | 77 11 166 117 | Exhaust retaining spring | 2 |



RENAULT SPORT

juil.-2015



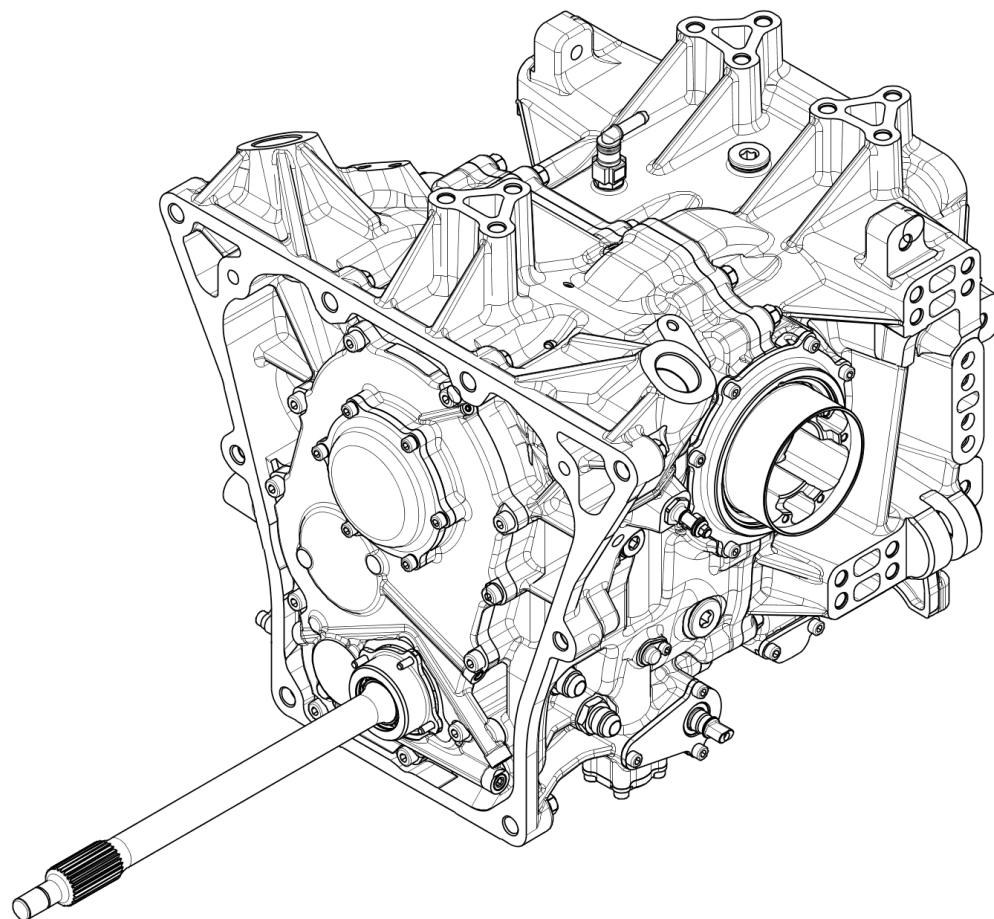
RENAULT



R.S.01

RENAULT
SPORT **R.S.01**

21.00



| Rep. | Reference | Description | Coef |
|------|---------------|------------------------|------|
| | 82 01 579 710 | boite vitesse src96-18 | 1 |



RENAULT SPORT

juin-2015



RENAULT

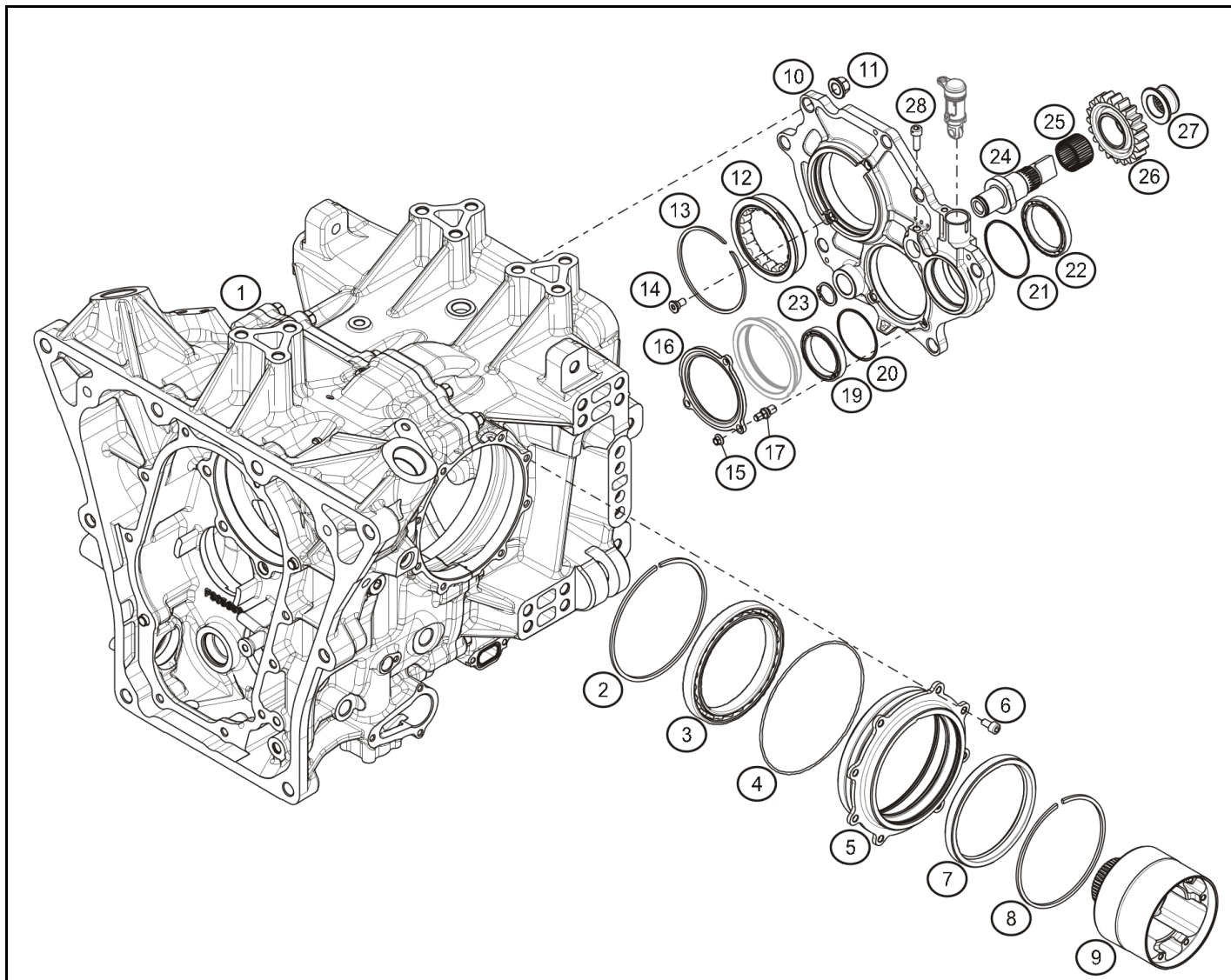
21.00



R.S.01

RENAULT SPORT R.S.01

21.10



| Rep. | Reference | Description | Coef |
|------|----------------------|--------------------------------------|------|
| 1 | 01 90 560 021 | Cartesr principal et intermédiaire | 1 |
| 2 | 77 11 162 216 | Clip SB120 | 1 |
| 3 | 01 00 101 061 | Ball bearing 61819 | 2 |
| 4 | 01 00 202 117 | Joint torique viton Ø130x2 | 1 |
| 5 | 01 09 056 324 | Porte roulement tulipe | 1 |
| 6 | 01 00 301 468 | CHS Bolt M6-12 cl:12.9 Zn | 8 |
| 7 | 01 00 204 052 | Joint simple lèvres viton Ø95x110x10 | 2 |
| 8 | 01 09 907 107 | Seeger ring SB110 | 2 |
| 9 | 01 09 056 323 | Tulipe | 2 |
| 10 | 01 09 056 009 | Plaque cassette | 1 |
| 11 | 01 00 499 007 | Nut-SIMMONDS M12 pas de 150 | 24 |
| 12 | 01 90 562 071 | Bearing NU1010 | 1 |
| 13 | 01 09 907 041 | Seeger ring SB85 | 1 |
| 14 | 01 09 054 914 | Vis arrêtoir M6x100 | 2 |
| 15 | 01 00 499 010 | Nut-SIMMONDS M6 | 1 |
| 16 | 01 09 056 106 | Bague arrêt rouleaux NU1009 | 1 |
| 17 | 01 09 056 024 | Stud M7 épaulé | 3 |
| 19 | 01 00 101 086 | Ball bearing 61808 | 1 |
| 20 | 01 90 560 201 | Jeu de cales roulement 61808 | 1 |
| 21 | 01 90 560 211 | Jeu de cales roulement 61809 | 1 |
| 22 | 01 00 101 126 | Ball bearing 61809 | 1 |
| 23 | 77 11 156 765 | Circlips | 1 |
| 24 | 01 09 056 520 | Axe de renvoi de M-AR | 1 |
| 25 | 01 00 105 081 | Cage à aiguilles 25x30x20 | 1 |
| 26 | 01 09 056 509 | Renvoi de M-AR | 1 |
| 27 | 01 09 056 519 | Bague épaulée renvoi de M-AR | 1 |
| 28 | 01 09 046 431 | Vis de plombage CHC M6x18 cl12 | 1 |



juin-2015



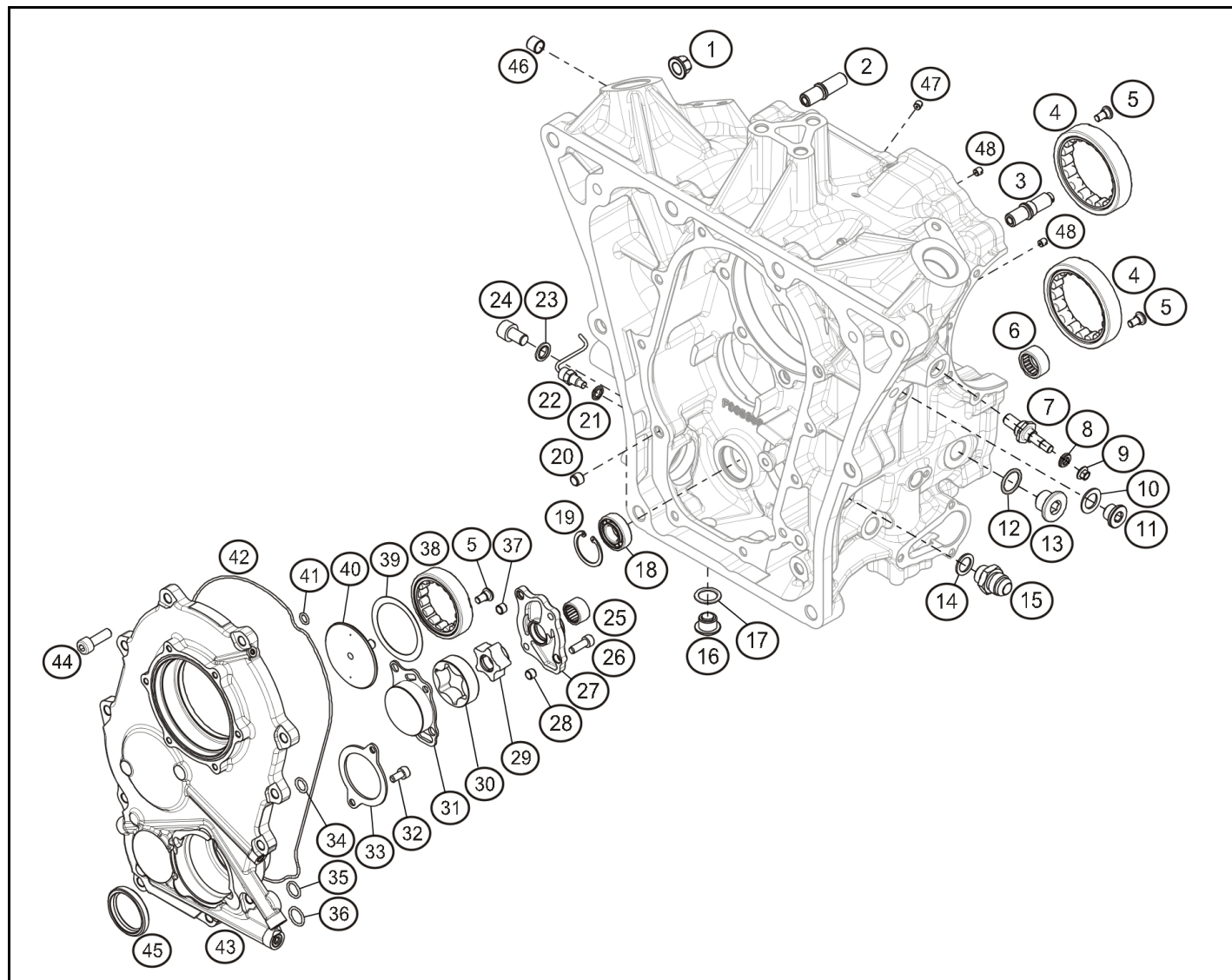
RENAULT SPORT



R.S.01

RENAULT SPORT R.S.01

21.11



| Rep. | Reference | Description | Coef |
|------|---------------|--|------|
| 1 | 01 00 499 007 | Nut-SIMMONDS M12 pas de 150 | 8 |
| 2 | 01 09 056 031 | Stud M12 Lg 47mm épaulé | 9 |
| 3 | 01 09 056 030 | Stud M12 Lg 50mm épaulé | 2 |
| 4 | 01 01 511 217 | Bague de roulement NU1010 ECP | 2 |
| 5 | 01 09 054 914 | Vis arrêteur M6x100 | 6 |
| 6 | 01 00 106 011 | Needle roller bearing HK2012 | 1 |
| 7 | 82 01 583 666 | Goujon fix. actuateur | 1 |
| 8 | 82 01 583 665 | Rondelle calage rotule | 1 |
| 9 | 01 00 499 004 | Nut-SIMMONDS M7 | 1 |
| 10 | 01 00 599 044 | Seal | 1 |
| 11 | 01 09 054 044 | Cap M14x150 | 1 |
| 12 | 01 05 002 017 | Filling cap seal | 1 |
| 13 | 01 05 099 088 | Fuel filler cap | 1 |
| 14 | 01 00 599 002 | Copper washer Ø16 | 2 |
| 15 | 01 09 999 123 | Fitting dash08 M16x150 | 1 |
| 16 | 77 11 156 704 | Sump plug- Magnetic insert | 1 |
| 17 | 77 11 162 368 | Copper Washer 16 | 1 |
| 18 | 01 00 101 089 | Ball bearing 6002 | 1 |
| 19 | 01 00 602 029 | Circlips-Interior Ø32 | 1 |
| 20 | 01 01 404 609 | Dowel pin | 2 |
| 21 | 77 11 167 366 | Anneau BS8 | 1 |
| 22 | 01 00 089 227 | Sonde CTN SRC96 | 1 |
| 23 | 01 00 599 048 | Rondelle d'étanchéité BS-10 (10 | 1 |
| 24 | 01 00 301 366 | CHS Bolt M10x16 cl 8.8 bichro | 1 |
| 25 | 01 00 106 029 | Douille à aiguilles HK 15/12 | 1 |
| 26 | 01 00 301 516 | CHS Bolt M6x18 cl:12.9 zingué | 4 |
| 27 | 01 90 560 501 | Couvercle de pompe équipé | 1 |
| 28 | 01 01 404 429 | Moulding Ø8xØ6x6 | 2 |
| 29 | 01 09 056 051 | Menant gerotor | 1 |
| 30 | 01 01 511 052 | Mené gerotor | 1 |
| 31 | 01 90 560 571 | Chemise de pompe équipée | 1 |
| 32 | 01 00 301 004 | CHS Bolt M6x12 cl 8.8 brut | 2 |
| 33 | 01 09 056 616 | Arrêteur roulement 61807 | 1 |
| 34 | 01 00 201 135 | O ring-Nitrile Ø 10 x 2 | 1 |
| 35 | 01 00 201 009 | O ring-Nitrile Ø 12 x 2 | 1 |
| 36 | 01 00 201 031 | O ring-Nitrile Ø14x2 | 1 |
| 37 | 01 09 004 303 | Dowel pin | 1 |
| 38 | 01 09 053 102 | Bague de roulement d'arbre primaire NU1007 | 1 |
| 39 | 77 11 162 180 | Ensemble de cales Ø64X49 | 1 |
| 40 | 01 09 056 022 | Cannule de secondaire | 1 |
| 41 | 01 00 201 154 | O ring-Nitrile Ø7x2 | 1 |

juil.-2015



RENAULT SPORT

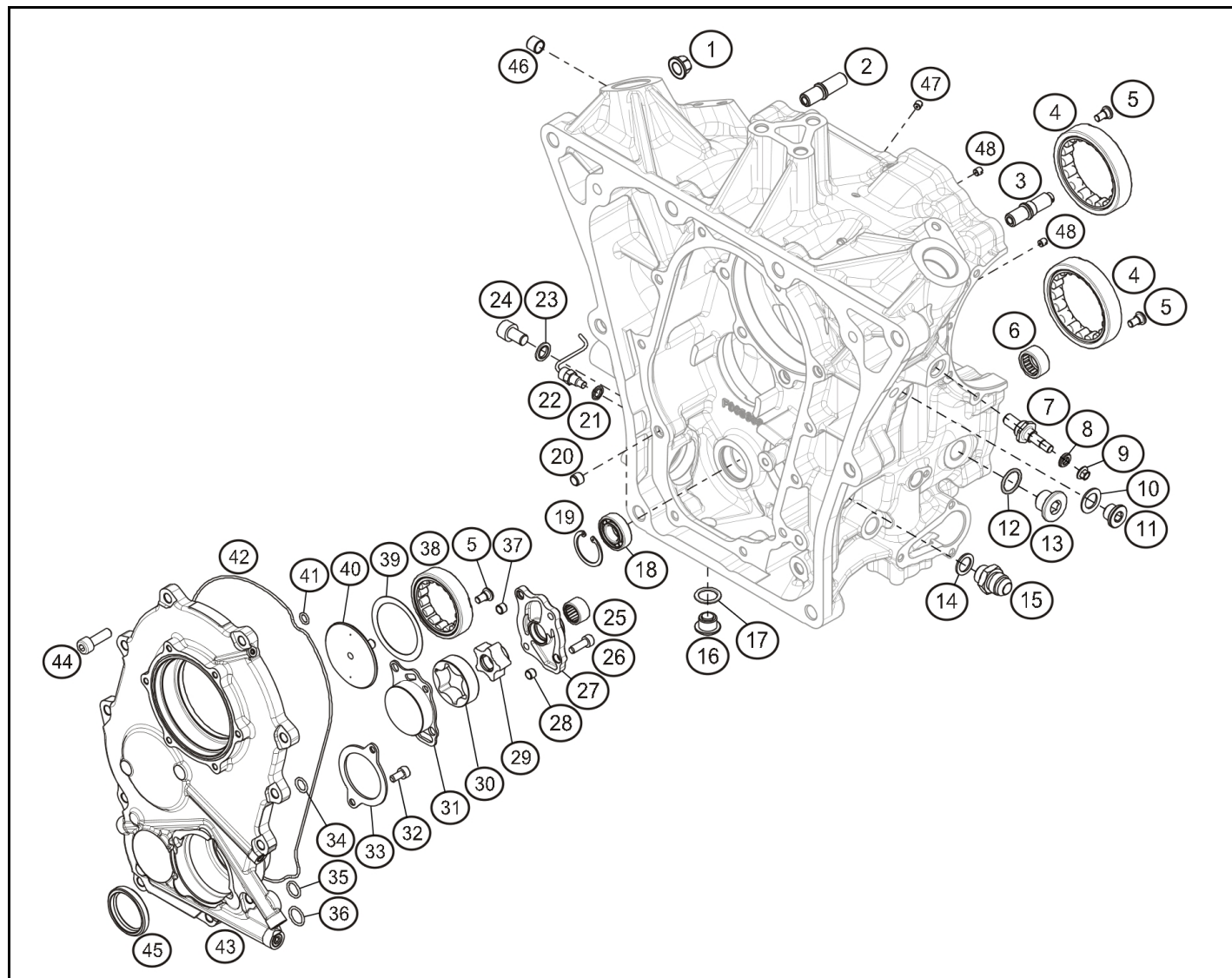




R.S.01

**RENAULT
SPORT R.S.01**

21.11



| Rep. | Reference | Description | Coef |
|------|----------------------|---------------------------------------|------|
| 42 | 01 00 201 311 | O ring-Nitrile Ø250x2 | 1 |
| 43 | 01 09 560 081 | Plaque de fermeture AV | 1 |
| 44 | 01 00 301 338 | CHS Bolt M8x25 cl 10.9 zingué noir | 9 |
| 45 | 01 00 204 012 | Joint simple lèvres viton Ø35x45x7 | 1 |
| 46 | 01 01 202 038 | PAP Permaglide bush 1010 P10 | 2 |
| 47 | 01 90 560 270 | Gicleur perçage Ø 0.7 | 1 |
| 48 | 01 90 560 271 | Gicleur perçage Ø 1.0 | 2 |

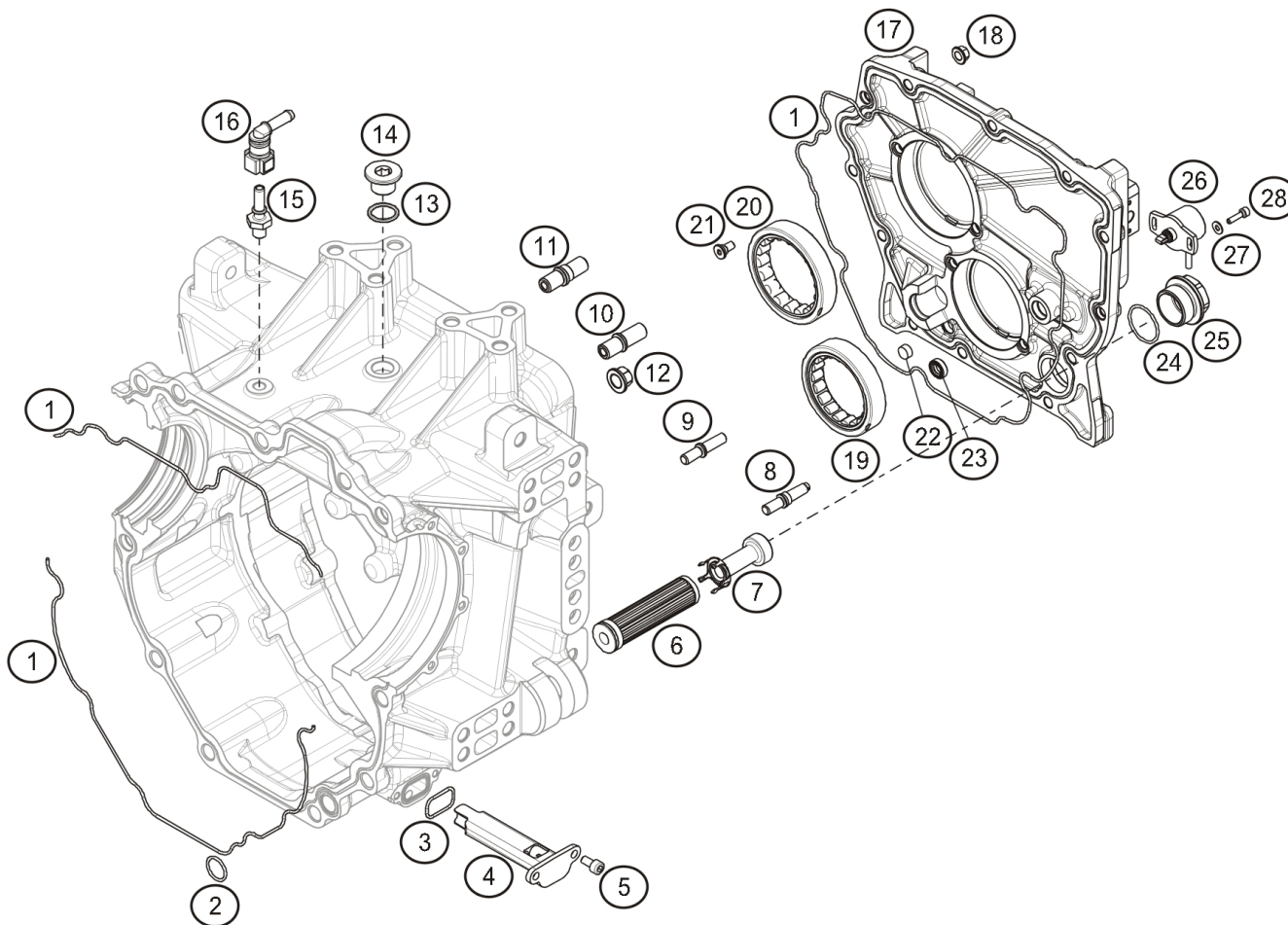


juil.-2015



RENAULT SPORT

21.11



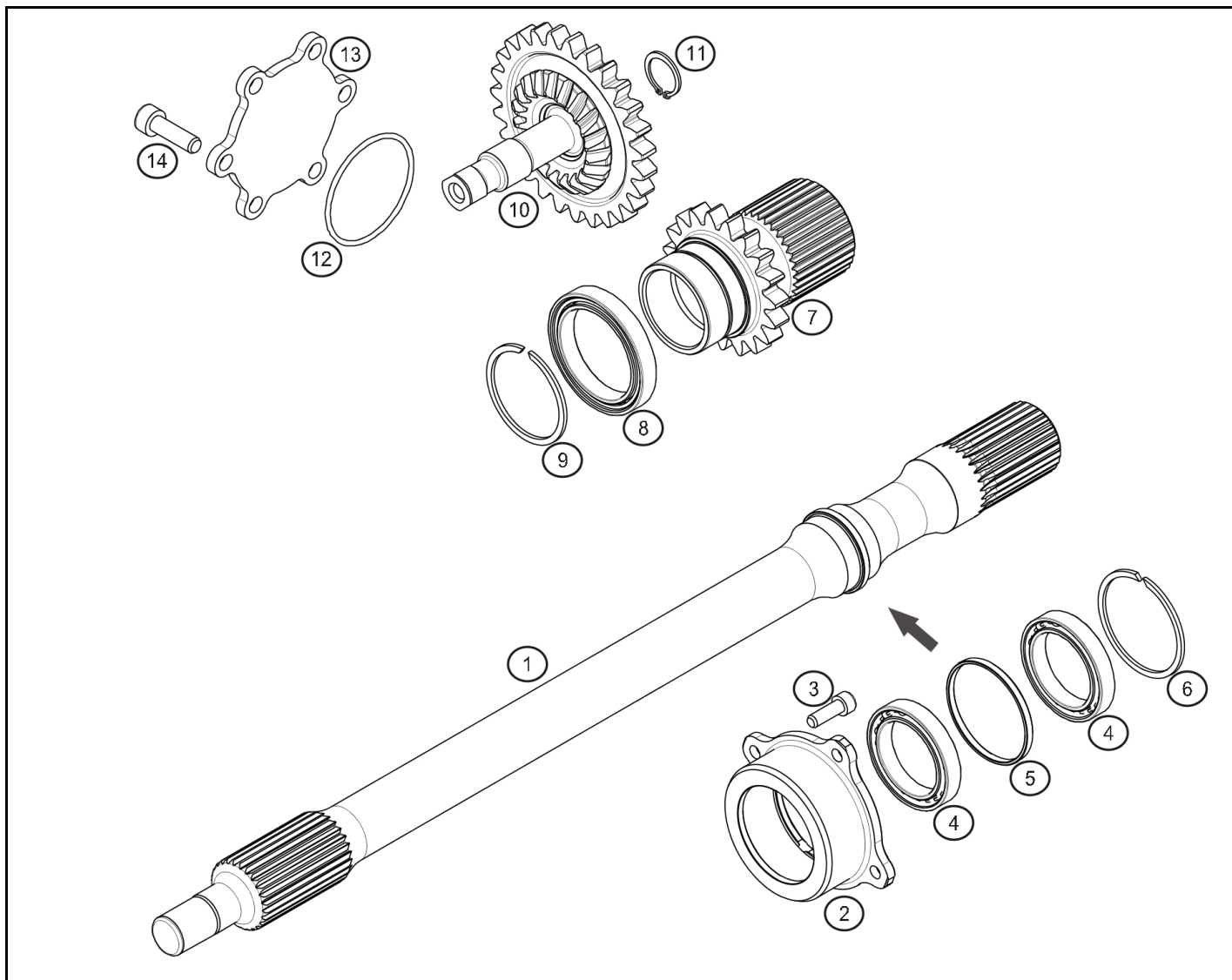
| Rep. | Reference | Description | Coef |
|------|---------------|-------------------------------------|------|
| 1 | 01 00 202 026 | Joint torique viton Ø300x2 | 2 |
| 2 | 01 00 202 075 | Joint torique viton Ø17x2 | 1 |
| 3 | 01 00 202 059 | Joint torique viton Ø24x2 | 1 |
| 4 | 01 09 056 036 | Cannule aspiration | 1 |
| 5 | 01 00 301 540 | CHS Bolt M6x12 cl.10 | 2 |
| 6 | 01 09 999 701 | Intérieur de filtre en ligne DASH 8 | 1 |
| 7 | 01 09 056 035 | Coquille guidage crépine | 1 |
| 8 | 01 09 056 032 | Stud M8 Lg 47mm épaulé centreur | 2 |
| 9 | 01 09 056 033 | Stud M8 Lg 44mm épaulé | 10 |
| 10 | 01 09 056 029 | Stud M12 épaulé | 5 |
| 11 | 01 09 056 028 | Stud M12 épaulé centreur | 2 |
| 12 | 01 00 499 007 | Nut-SIMMONDS M12 pas de 150 | 24 |
| 13 | 01 05 002 017 | Filling cap seal | 1 |
| 14 | 01 05 099 088 | Fuel filler cap | 1 |
| 15 | 01 09 022 106 | Air breather adapter M10x100 | 1 |
| 16 | 01 09 999 683 | Venting adapter | 1 |
| 17 | 01 90 560 061 | Carter arrière équipé | 1 |
| 18 | 01 00 499 003 | Nut-SIMMONDS M8 | 13 |
| 19 | 01 09 054 108 | Bearing NU1009 spécifique | 1 |
| 20 | 01 01 511 217 | Bague de roulement NU1010 ECP | 1 |
| 21 | 01 09 054 914 | Vis arrêtoir M6x100 | 4 |
| 22 | 01 09 903 001 | Aimant céramique | 1 |
| 23 | 01 00 206 067 | Joint double lèvres viton Ø8x15x5 | 1 |
| 24 | 01 00 202 031 | Joint torique viton Ø28x2 | 1 |
| 25 | 01 09 056 023 | Bouchon crépine | 1 |
| 26 | 82 01 586 576 | Capteur barillet | 1 |
| 27 | 01 00 502 023 | Plain washer M4 brut | 2 |
| 28 | 77 11 162 295 | CHS Bolt M4-12 cl:12.9 ZN | 1 |



R.S.01

**RENAULT
SPORT R.S.01**

21.20



| Rep. | Reference | Description | Coef |
|------|----------------------|---|------|
| 1 | 82 01 579 711 | Clutch shaft | 1 |
| 2 | 82 01 586 596 | Porte - roulement | 1 |
| 3 | 77 11 162 297 | CHS Bolt M5-16 cl:10.9 ZN | 3 |
| 4 | 82 01 586 595 | Bearing 618062rs | 2 |
| 5 | 01 01 918 603 | cale de roulement | 1 |
| 6 | 82 01 586 594 | anneau expansif | 1 |
| 7 | 01 09 056 601 | Pignon prise de force ligne primaire | 1 |
| 8 | 01 00 101 064 | Ball bearing 61807 | 1 |
| 9 | 01 09 907 021 | Seeger ring SW35 | 1 |
| 10 | 01 09 056 604 | Arbre prise de force | 1 |
| 11 | 01 00 601 014 | Circlips-Exterior Ø15 | 1 |
| 12 | 01 00 202 081 | Joint torique viton Ø44x2 | 1 |
| 13 | 01 09 056 619 | Flasque de fermeture prise de force | 1 |
| 14 | 01 00 301 422 | Screw M6x16 Cl 10.9 ZN | 6 |



juin-2015



RENAULT SPORT

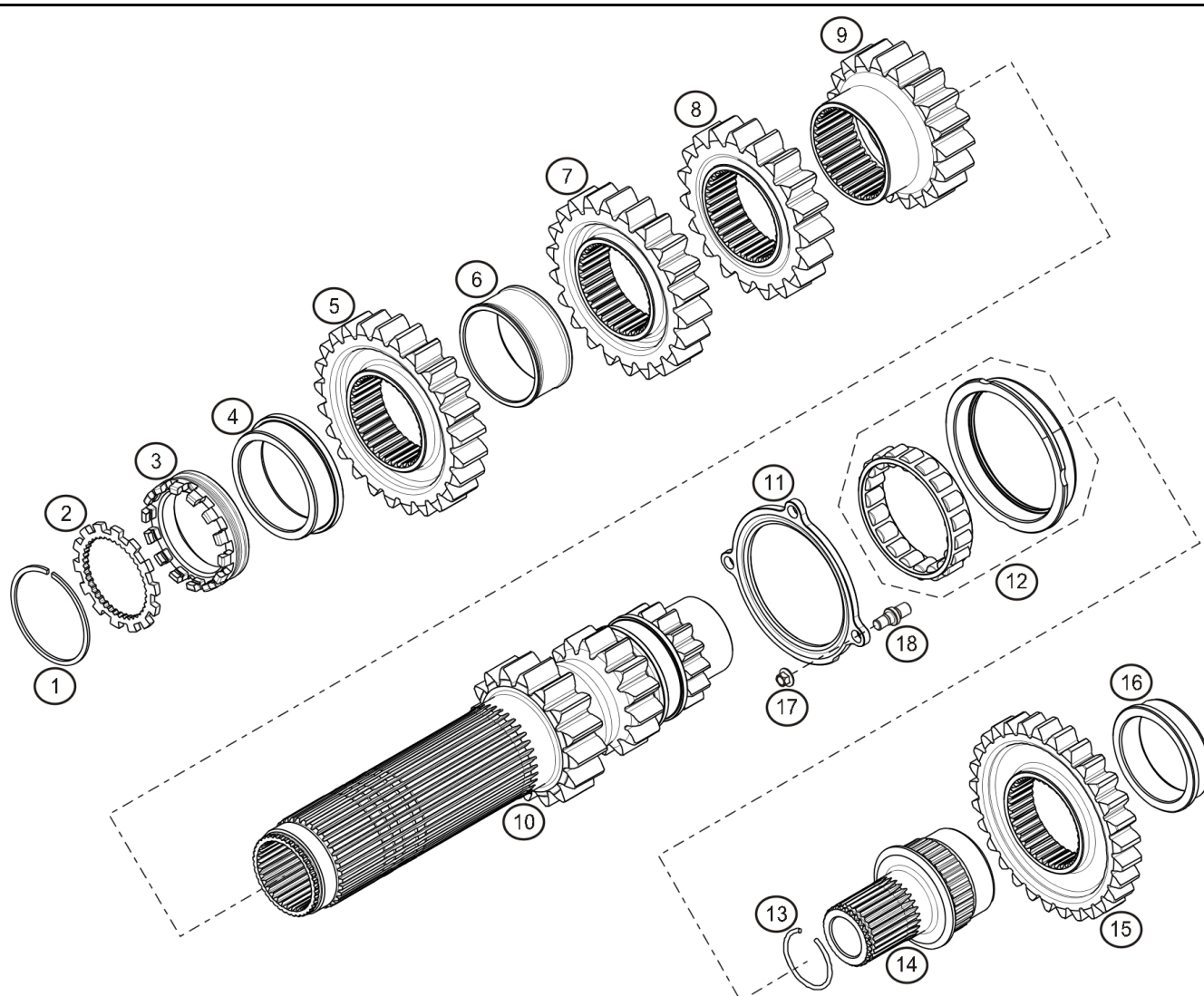
21.20



R.S.01

RENAULT SPORT R.S.01

21.30



| Rep. | Reference | Description | Coef |
|------|----------------------|------------------------------------|------|
| 1 | 01 09 907 028 | Seeger ring SW50 | 1 |
| 2 | 01 01 511 216 | Rondelle anti desserrage | 2 |
| 3 | 01 01 511 210 | Ecrou anti desserrage | 2 |
| 4 | 01 01 511 102 | Bague intérieure NJ1010 | 1 |
| 5 | C9 61 8U2 526 | Gear ratio 6ème 25/26 | 1 |
| 6 | 01 01 511 101 | Spacer-Primary shaft | 1 |
| 7 | C9 61 8U2 226 | Gear ratio 5ème 22/26 | 1 |
| 8 | C9 61 8U1 926 | Gear ratio 4ème 19/26 | 1 |
| 9 | 96 21 U19 319 | Gear ratio 3ème 19/31 | 1 |
| 10 | 96 90 56U 019 | Rapport 1ère-2ème 14/36-16/32 | 1 |
| 11 | 01 09 056 106 | Bague arrêt rouleaux NU1009 | 1 |
| 12 | 01 90 561 051 | Roulement NU 1009 complet | 1 |
| 13 | 01 09 908 016 | Jonc d'arrêt Seeger RB30 | 1 |
| 14 | 01 09 056 103 | Rallonge arbre primaire | 1 |
| 15 | C9 61 4U2 927 | Gear ratio 7ème 29/27 | 1 |
| 16 | 01 01 410 107 | Bague intérieure roulement NU 1009 | 1 |
| 17 | 01 00 499 010 | Nut-SIMMONDS M6 | 3 |
| 18 | 01 09 056 024 | Stud M7 épaulé | 3 |



juin-2015



RENAULT SPORT

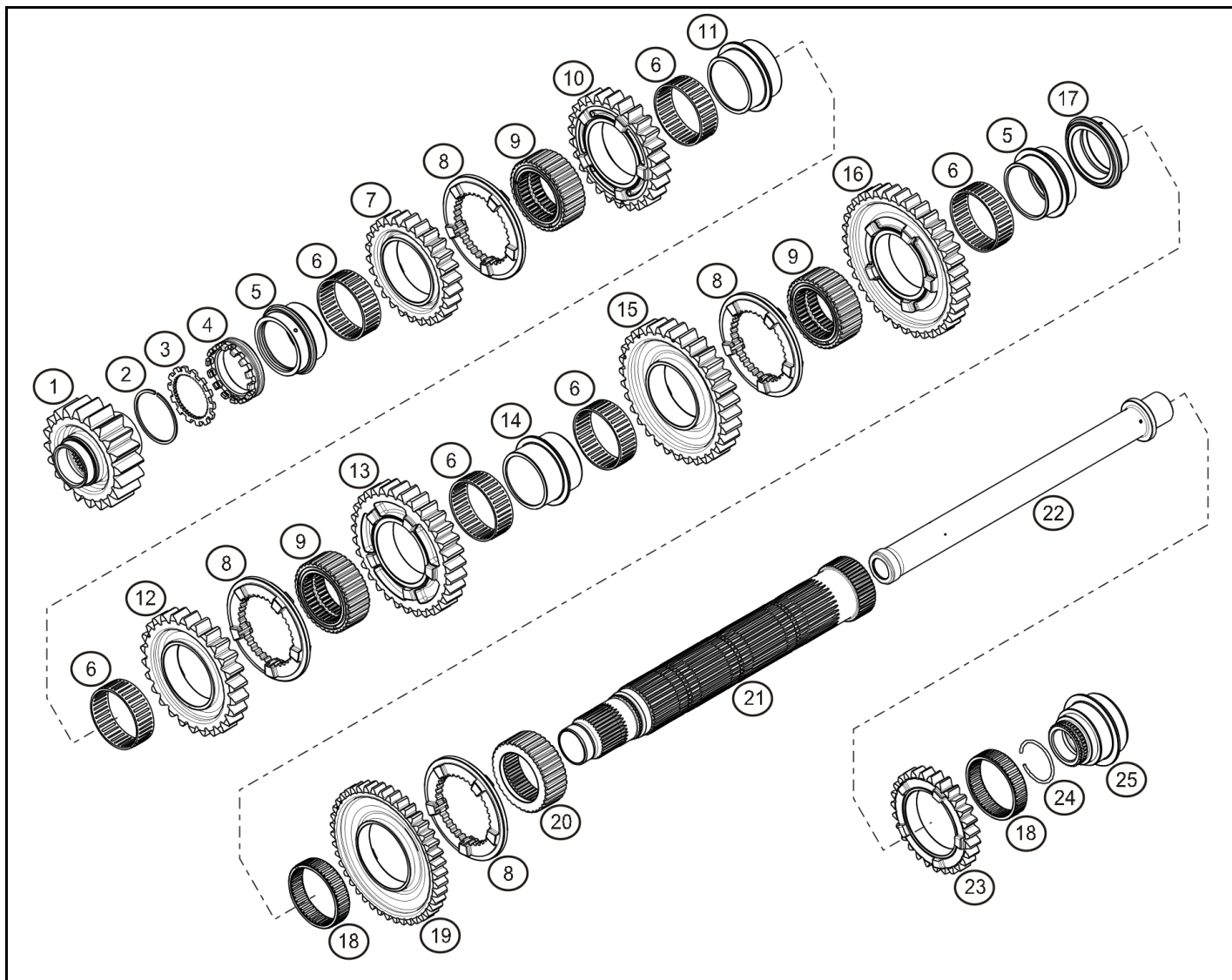
21.30



R.S.01

RENAULT SPORT R.S.01

21.40



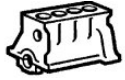
| Rep. | Reference | Description | Coef |
|------|---------------|----------------------------------|------|
| 1 | CP L2 033 905 | Couple cylindrique 20/33 | 1 |
| 2 | 01 09 907 028 | Seeger ring SW50 | 2 |
| 3 | 01 01 511 216 | Rondelle anti desserrage | 2 |
| 4 | 01 01 511 210 | Ecrou anti desserrage | 2 |
| 5 | 01 09 056 201 | Bague intérieure NU1010 double | 2 |
| 6 | 01 00 105 079 | Cage à aiguilles 55x60x20 | 6 |
| 7 | C9 61 8U2 526 | Gear ratio 6ème 25/26 | 1 |
| 8 | 01 01 511 206 | Sliding ring 5 crabots | 4 |
| 9 | 01 01 511 205 | Switch mounting | 3 |
| 10 | C9 61 8U2 226 | Gear ratio 5ème 22/26 | 1 |
| 11 | 01 01 511 207 | Bague épaulée double | 1 |
| 12 | C9 61 8U1 926 | Gear ratio 4ème 19/26 | 1 |
| 13 | 96 21 U19 319 | Gear ratio 3ème 19/31 | 1 |
| 14 | 01 09 056 202 | Bague épaulée double | 1 |
| 15 | 01 96 211 632 | Roue 32 dents (16 / 32) | 1 |
| 16 | 01 96 181 436 | Roue 36 dents (14 / 36) | 1 |
| 17 | 01 09 056 203 | Bague épaulée de M-AR | 1 |
| 18 | 01 00 105 078 | Cage à aiguilles 55x63x15 | 2 |
| 19 | 01 09 056 250 | reverse gear wheel 42 dents | 1 |
| 20 | 01 09 056 204 | Support baladeur de M-AR | 1 |
| 21 | 01 09 056 200 | Main shaft | 1 |
| 22 | 01 09 056 211 | Fourreau arbre secondaire | 1 |
| 23 | C9 61 4U2 927 | Gear ratio 7ème 29/27 | 1 |
| 24 | 01 09 908 027 | Jonc d'arrêt Seeger RB40 | 1 |
| 25 | 01 09 056 213 | Rallonge d'arbre secondaire évo. | 1 |



juin-2015



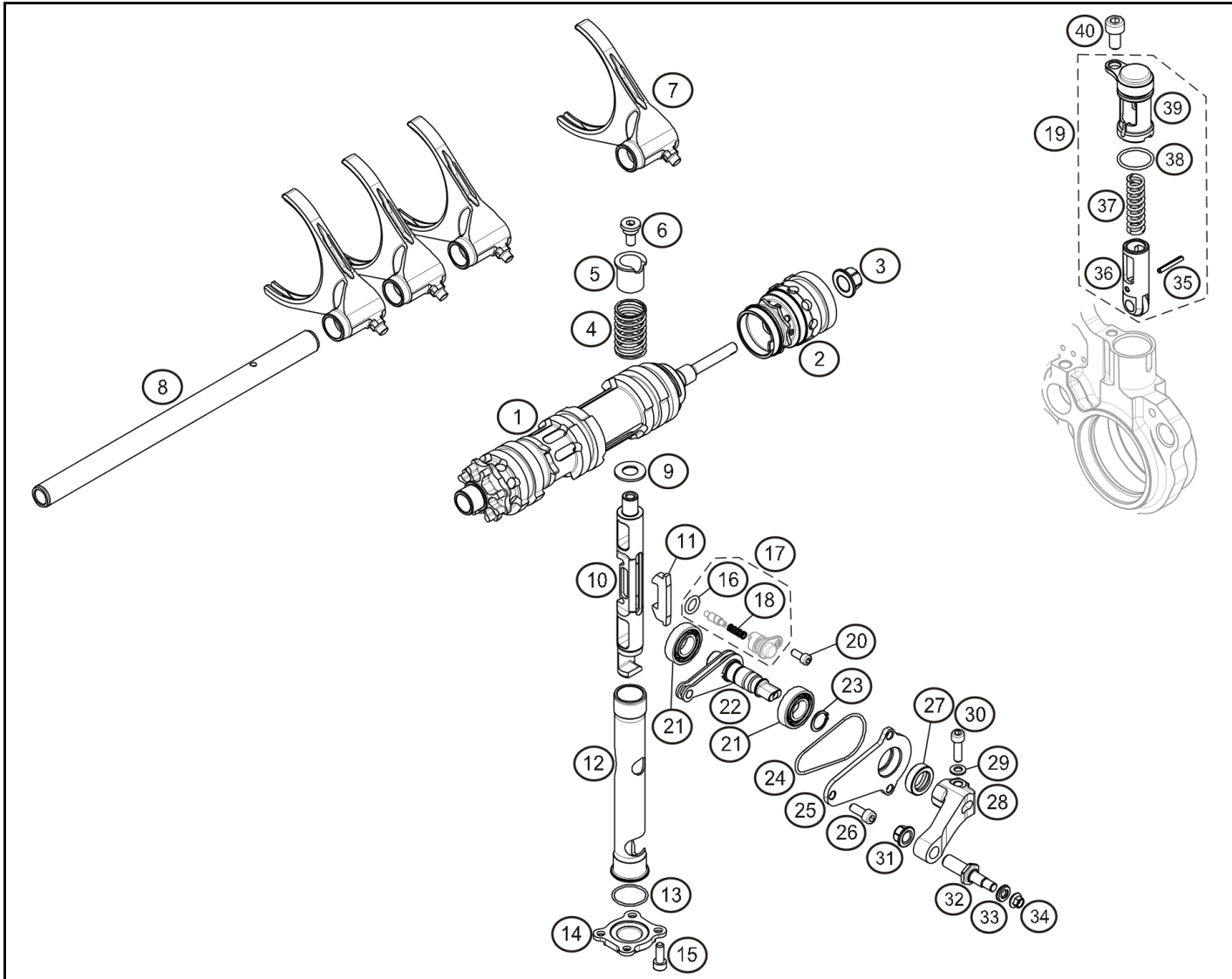
RENAULT SPORT



R.S.01

RENAULT SPORT R.S.01

21.50



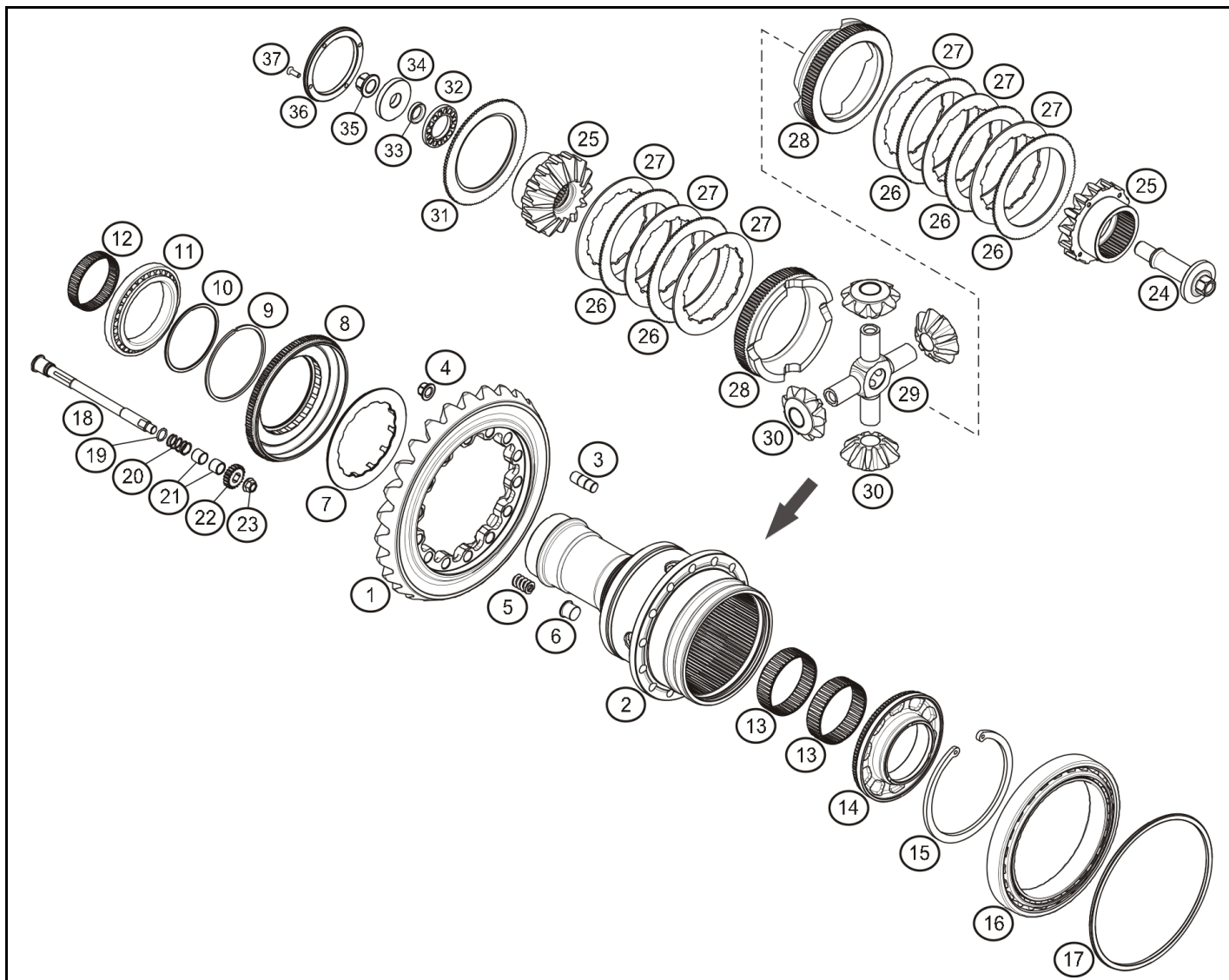
| Rep. | Reference | Description | Coef |
|------|---------------|--|------|
| 1 | 01 09 056 515 | Barrel | 1 |
| 2 | 01 09 056 505 | Piste indexage | 1 |
| 3 | 01 00 499 018 | Nut-SIMMONDS M14 pas de 150 | 1 |
| 4 | 01 00 801 123 | Compression spring 2x20 | 1 |
| 5 | 77 11 162 250 | Coussinet axe de selecteur | 1 |
| 6 | 01 00 059 021 | Selector bolt | 1 |
| 7 | 01 09 056 501 | Fork | 4 |
| 8 | 01 09 056 502 | Fork rod | 1 |
| 9 | 77 11 162 248 | Rondelle axe de selecteur | 1 |
| 10 | 01 09 056 517 | Selecting rod | 1 |
| 11 | 01 01 910 404 | Double ratchet | 1 |
| 12 | 01 09 056 524 | Fourreau d'axe de commande | 1 |
| 13 | 01 00 202 006 | Joint torique viton Ø29x2 | 1 |
| 14 | 01 09 056 525 | Plaque de fermeture fourreau axe de commande | 1 |
| 15 | 01 00 301 468 | CHS Bolt M6-12 cl:12.9 Zn | 4 |
| 16 | 01 00 202 027 | O ring Ø10x2 | 1 |
| 17 | 01 90 544 131 | Poussoir de cliquet assemblé | 1 |
| 18 | 01 00 801 026 | Dual rocker spring | 1 |
| 19 | 01 90 374 102 | Indexeur monté complet | 1 |
| 20 | 77 11 162 247 | CHS Bolt M5-12 | 1 |
| 21 | 01 00 101 154 | Ball bearing 16002 | 2 |
| 22 | 01 90 565 131 | Axe renvoi de commande équipé | 1 |
| 23 | 01 00 601 014 | Circlips-Exterior ø15 | 1 |
| 24 | 01 00 202 130 | Joint torique viton Ø56x2 | 1 |
| 25 | 01 09 056 518 | Plaque fermeture de sélection | 1 |
| 26 | 01 00 304 025 | Cap head screw M6x14 cl 10.9 brut HK | 3 |
| 27 | 01 00 206 072 | Joint double lèvres viton Ø15x24x7 | 1 |
| 33 | 82 01 583 665 | Rondelle calage rotule | 1 |
| 34 | 01 00 499 004 | Nut-SIMMONDS M7 | 1 |
| 35 | 01 00 701 069 | Pin Ø2.5x18 | 1 |
| 36 | 01 90 374 111 | indexeur équipé du galet | 1 |
| 37 | 01 00 801 040 | Indexor spring | 1 |
| 38 | 01 00 202 028 | Joint torique viton Ø17x1 | 1 |
| 39 | 01 09 037 410 | Guide indexeur | 1 |
| 40 | 01 00 301 477 | CHS Bolt M16x16 cl 12 | 1 |

juil.-2015



RENAULT SPORT



**R.S.01****RENAULT SPORT R.S.01****21.60**

| Rep. | Reference | Description | Coef |
|------|----------------------|---|------|
| 1 | CP L1 327 905 | Bevel gear 13/27 équipé | 1 |
| 2 | 01 09 056 311 | Boîtier de différentiel | 1 |
| 3 | 01 09 056 314 | Goujon couronne pont | 14 |
| 4 | 01 00 499 013 | Nut-SIMMONDS M10 | 14 |
| 5 | 01 00 801 107 | Compression spring 2 | 6 |
| 6 | 01 09 056 315 | Guide ressort de précharge | 6 |
| 7 | 01 09 056 321 | Lame ressort anti-desserrage ecrou de précharge évo.1 | 1 |
| 8 | 01 09 056 316 | Ecrou de précharge | 1 |
| 9 | 01 09 907 043 | Seeger ring SW75 | 1 |
| 10 | 01 90 563 201 | Jeu de cales droite réglage roue conique | 1 |
| 11 | 01 01 040 951 | Roulement conique LL510749 | 1 |
| 12 | 01 00 105 070 | Cage à aiguilles 52x57x12 | 1 |
| 13 | 01 00 105 080 | Cage à aiguilles 58x63x17 | 2 |
| 14 | 01 09 056 312 | Couvercle de différentiel | 1 |
| 15 | 01 09 056 327 | Circlips couvercle de différentiel | 1 |
| 16 | 01 01 040 931 | Roulement conique L624549 | 1 |
| 17 | 01 90 563 191 | Jeu de cales gauche réglage roue conique | 1 |
| 18 | 01 09 056 325 | Outil réglage précharge | 1 |
| 19 | 01 00 201 290 | O ring-Nitrile Ø10x1 | 1 |
| 20 | 01 00 801 140 | Compression spring 1 | 1 |
| 21 | 01 01 202 038 | PAP Permaglide bush 1010 P10 | 2 |
| 22 | 01 09 056 326 | Pignon réglage précharge | 1 |
| 23 | 01 00 499 003 | Nut-SIMMONDS M8 | 1 |
| 24 | 01 09 054 316 | Vis de planétaire | 1 |
| 25 | 01 09 056 331 | Planétaire zérol évo. 14 dents | 2 |
| 26 | 01 09 056 304 | Disque lisse ép. 1 | 5 |
| 27 | 01 09 022 007 | Friction disc | 6 |
| 28 | 01 90 563 781 | Kit plateaux d'autobloquant (30°/60°)-(45°/45°) | 1 |
| 29 | 01 09 056 301 | Croix de satellites | 1 |
| 30 | 01 09 056 332 | Satellite zérol évo. 9 dents | 4 |
| 31 | 01 09 056 328 | Disque lisse retenue cassette ép. 2 | 1 |
| 32 | 01 00 199 055 | Butée à rouleaux axiale | 1 |
| 33 | 01 90 543 261 | Jeu de cales pour jeu denture planétaire | 1 |
| 34 | 01 09 054 317 | Contre rondelle planétaire | 1 |
| 35 | 01 00 499 018 | Nut-SIMMONDS M14 pas de 150 | 1 |
| 36 | 01 09 056 306 | Plaque de retenue | 1 |
| 37 | 01 00 303 025 | FHS Bolt M4x10 cl 10.9 brut | 4 |



juin-2015



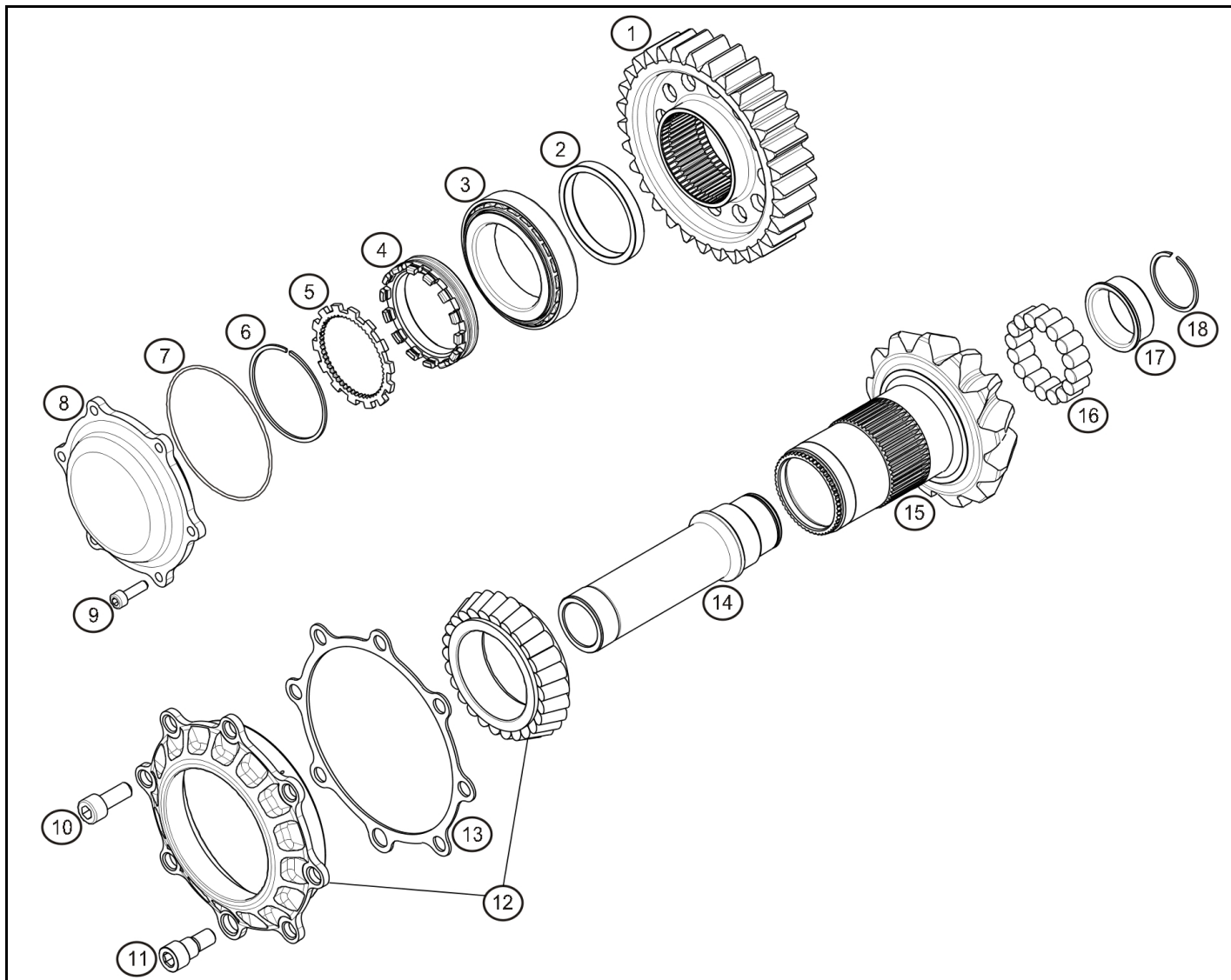
RENAULT SPORT



R.S.01

RENAULT SPORT **R.S.01**

21.70



| Rep. | Reference | Description | Coef |
|------|---------------|--|------|
| 1 | CP L2 033 905 | Couple cylindrique 20/33 | 1 |
| 2 | 01 90 564 161 | Jeu de cales précharge roulement | 1 |
| 3 | 01 01 040 791 | Roulement conique L507949 | 1 |
| 4 | 01 09 056 415 | Ecrou de serrage M57x150 pas à gauche | 1 |
| 5 | 01 09 056 410 | Rondelle anti desserrage 51 cannelures | 1 |
| 6 | 01 09 907 110 | Seeger ring SB63 | 1 |
| 7 | 01 00 201 125 | O ring-Nitrile Ø85x2 | 1 |
| 8 | 01 09 056 405 | Capot ligne pignon conique | 1 |
| 9 | 01 00 301 164 | CHS Bolt M6x20 cl 12.9 ZN HK | 6 |
| 10 | 01 00 301 235 | CHS Bolt M10x25 cl 12.9 brut | 7 |
| 11 | 01 09 056 412 | Vis bague externe | 1 |
| 12 | 01 90 564 041 | Bague et roulement équipé | 1 |
| 13 | 01 90 564 081 | jeu de cales boitier pignon conique | 1 |
| 14 | 01 09 056 403 | Fourreau pignon conique | 1 |
| 15 | CP L1 327 905 | Bevel gear 13/27 équipé | 1 |
| 16 | 01 00 109 006 | Rouleau cylindrique RC 10x14 | 16 |
| 17 | 01 09 056 411 | Shouldered bush | 1 |
| 18 | 01 09 907 108 | Seeger ring SW37 | 1 |



juin-2015



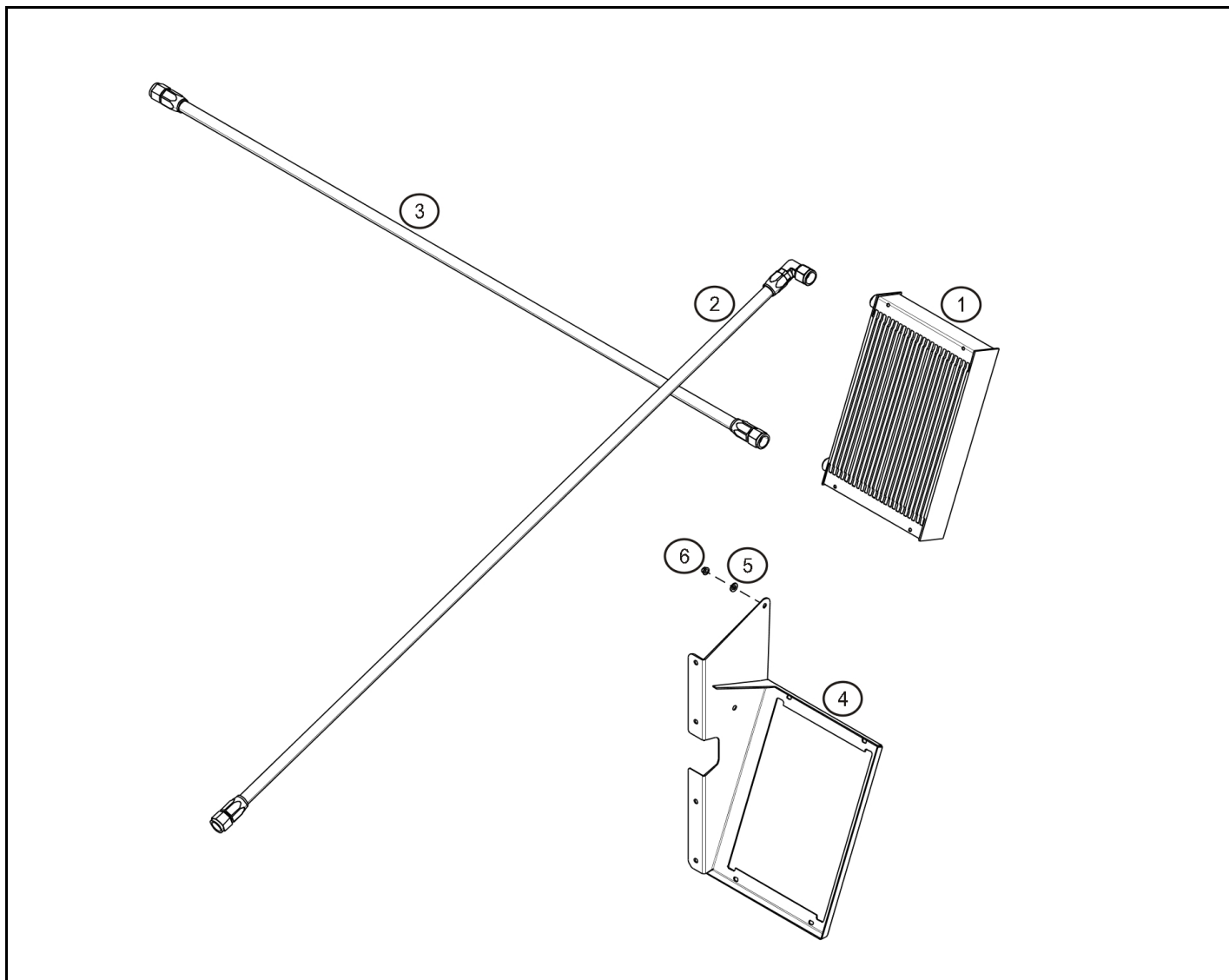
RENAULT SPORT



R.S.01

RENAULT
SPORT **R.S.01**

21.90



| Rep. | Reference | Description | Coef |
|------|---------------|--------------------------------|------|
| 1 | 77 11 159 993 | RADIA.HUILE G. | 1 |
| 2 | 82 01 579 131 | tube retour echangeur huile bv | 1 |
| 3 | 82 01 579 130 | tube echangeur huile bv | 1 |
| 4 | 82 01 579 128 | support radiateur huile bv | 1 |
| 5 | 77 11 159 261 | Washer Ø6 | 1 |
| 6 | 77 11 159 269 | UNF nut M6 | 1 |



févr.-2015



RENAULT SPORT

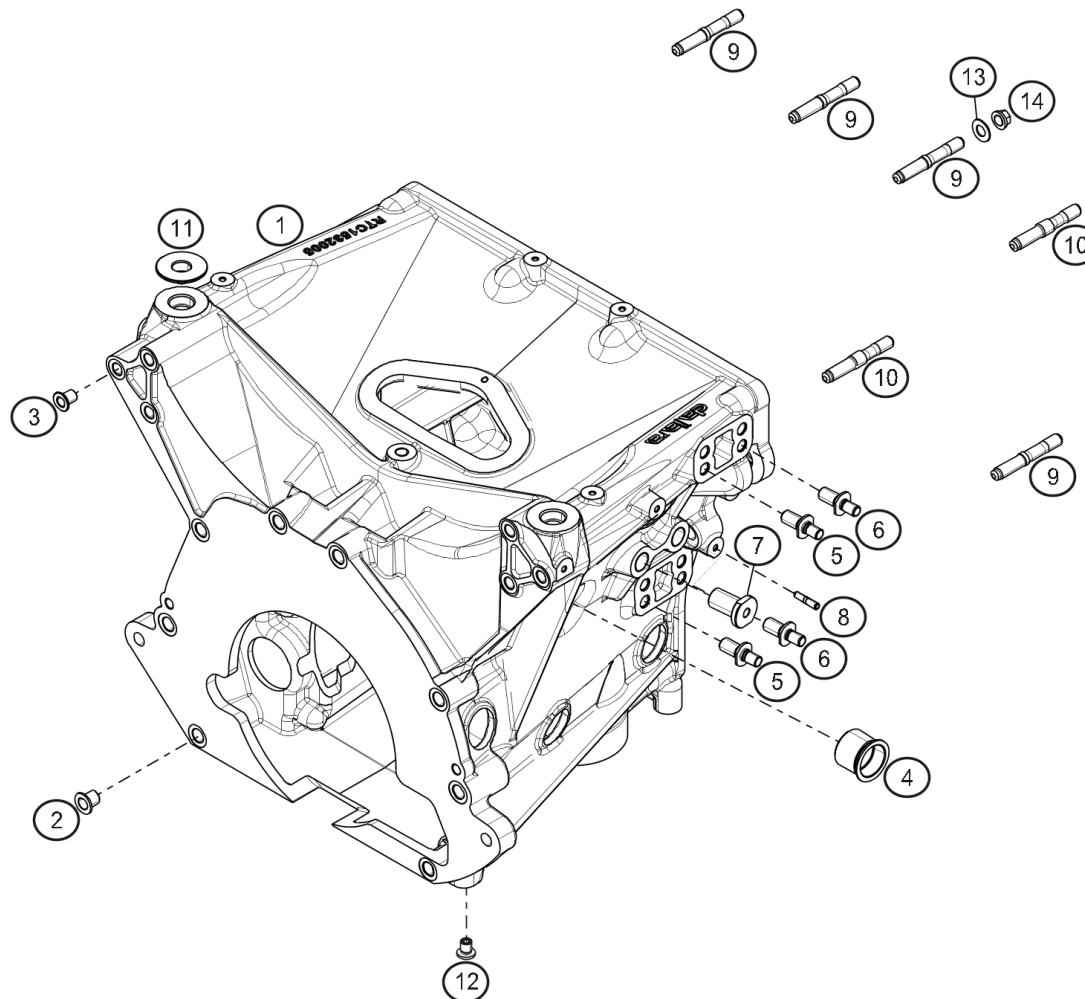
21.90



R.S.01

RENAULT SPORT **R.S.01**

22.00



| Rep. | Reference | Description | Coef |
|------|---------------|---------------------------------|------|
| 1 | 82 01 586 540 | bache a huile | 1 |
| 2 | 77 11 165 739 | Insert bache à huile | 8 |
| 3 | 82 01 586 538 | Insert bache à huile M8 lg:15mm | 6 |
| 4 | 82 01 586 544 | entretoise barre anti-roulis ar | 2 |
| 5 | 77 11 159 576 | Stud | 4 |
| 6 | 77 11 159 577 | Stud | 4 |
| 7 | 82 01 586 545 | entretoise air jacks | 2 |
| 8 | 77 11 159 912 | Stud | 2 |
| 9 | 82 01 586 537 | Stud | 6 |
| 10 | 82 01 586 536 | Stud | 2 |
| 11 | 82 01 586 546 | entretoise support moteur sup. | 2 |
| 12 | 82 01 586 541 | entretoise tirant de plancher | 5 |
| 13 | 82 01 589 539 | Washer | 8 |
| 14 | 77 11 159 603 | Locknut 12PH135M | 8 |



avr.-2015



RENAULT SPORT

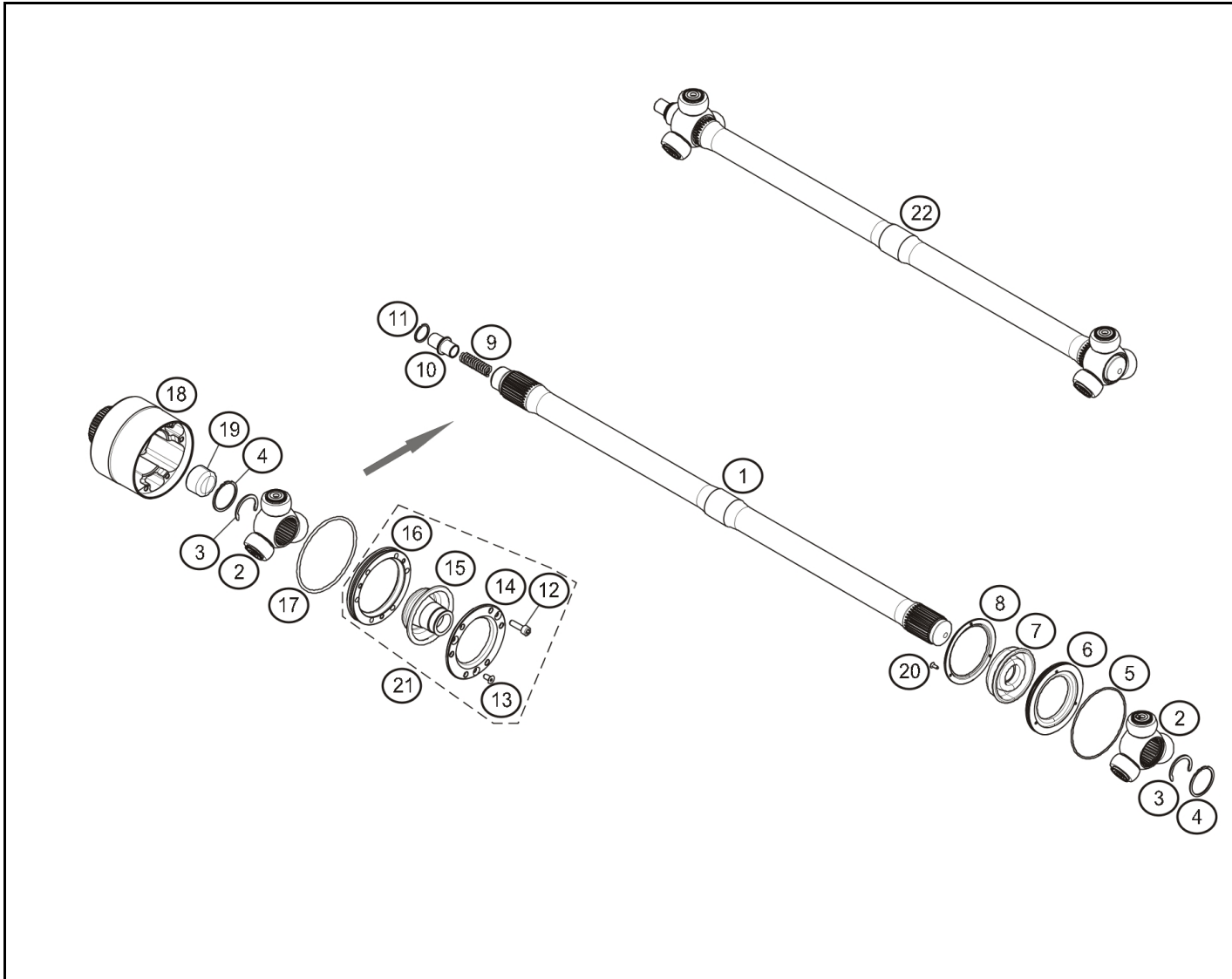
22.00



R.S.01

RENAULT SPORT **R.S.01**

29.00



| Rep. | Reference | Description | Coef |
|------|---------------|---------------------------------|------|
| 1 | 82 01 586 522 | arbre de roue | 2 |
| 2 | 82 01 586 523 | Tripode | 4 |
| 3 | 82 01 586 526 | croissant seeger h30 | 4 |
| 4 | 82 01 586 525 | anneau expansif sb35 | 4 |
| 5 | 77 11 159 736 | Seal 72X2 | 2 |
| 6 | 82 01 579 142 | bride de fixation soufflet | 2 |
| 7 | 77 11 159 734 | Gaitor | 2 |
| 8 | 77 11 159 730 | Flange | 2 |
| 9 | 82 01 586 532 | ressort compression 2x12x50 | 2 |
| 10 | 82 01 586 530 | piston de transmission | 2 |
| 11 | 82 01 586 531 | anneau expansif sb21 | 2 |
| 12 | 82 01 586 534 | CHS Bolt m6x20 cl.8/8 zn | 12 |
| 13 | 82 01 586 535 | FHS Bolt m5x10 cl.10/9 zn | 6 |
| 14 | 82 01 586 528 | Support soufflet | 2 |
| 15 | 82 01 579 143 | soufflet transmission cote bv | 2 |
| 16 | 82 01 586 527 | Support soufflet | 2 |
| 17 | 82 01 586 533 | O ring d3x82 | 2 |
| 18 | 82 01 586 529 | Tulipe | 2 |
| 19 | 82 01 625 916 | Bump stop | 2 |
| 20 | 77 11 159 735 | Screw M3-8 | 6 |
| 21 | 82 01 579 149 | ensemble porte-soufflet+flasque | 2 |
| 22 | 82 01 579 147 | arbre de transmission equipe | 2 |



RENAULT SPORT

juil.-2015



RENAULT

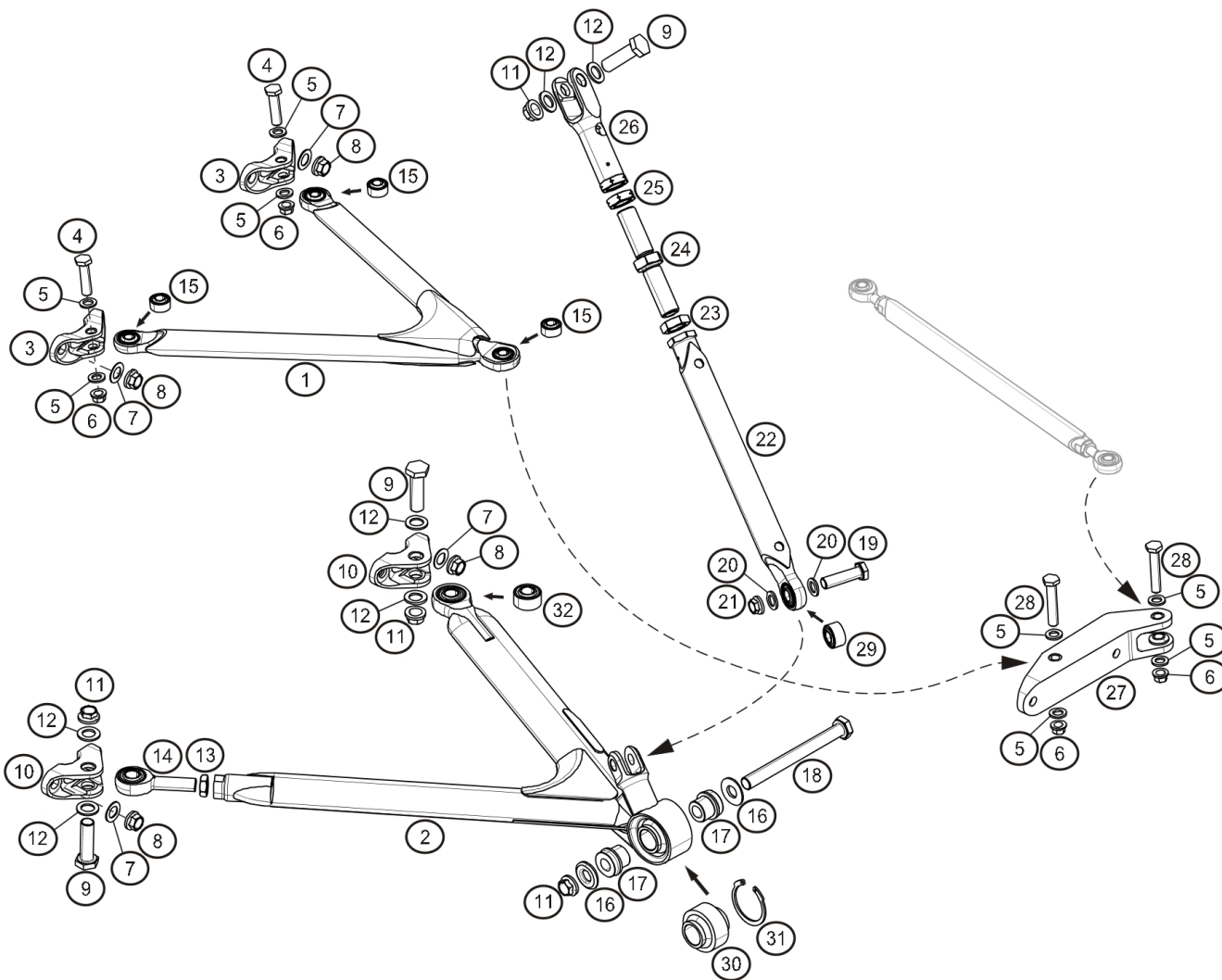
29.00



R.S.01

RENAULT SPORT R.S.01

31.10



| Rep. | Reference | Description | Coef |
|------|---------------|----------------------------|------|
| 1 | 82 01 599 630 | Triangle superieur AV | 2 |
| 2 | 82 01 599 633 | triangle inferieur AVG | 1 |
| | 82 01 599 631 | Triangle inferieur AVD | 1 |
| 3 | 77 11 159 575 | Support triangle sup | 4 |
| 4 | 77 11 159 463 | NAS bolt | 4 |
| 5 | 77 11 159 617 | Washer | 16 |
| 6 | 77 11 166 376 | UNF nut 5/16 | 6 |
| 7 | 77 11 159 420 | RONDELLE MOLETEE M10 | 16 |
| 8 | 77 11 159 574 | Nut M10X1 | 16 |
| 9 | 77 11 159 596 | H Bolt | 14 |
| 10 | 77 11 159 586 | Support triangle inf | 4 |
| 11 | 77 11 159 585 | Nut | 8 |
| 12 | 77 11 159 588 | Washer | 1 |
| 13 | 82 01 599 636 | Nut an316-7 | 2 |
| 14 | 82 01 599 635 | Rod end bearing-UNIBAL | 2 |
| 15 | 77 11 159 445 | Rod end bearing | 6 |
| 16 | 82 01 599 642 | Rondelle porte moyeu | 4 |
| 17 | 82 01 599 643 | Entretoise triangle AV inf | 4 |
| 18 | 82 01 599 649 | NAS bolt 1307-62 | 2 |
| 19 | 82 01 588 638 | NAS bolt 1306-13 | 2 |
| 20 | 77 11 159 435 | Washer | 4 |
| 21 | 77 11 159 421 | UNF nut 3/8 | 2 |
| 22 | 82 01 599 621 | Poussant AV | 2 |
| 23 | 82 01 583 629 | Nut M16 | 2 |
| 24 | 82 01 583 622 | Régleur poussant AV | 2 |
| 25 | 82 01 582 061 | Nut M16 à gauche | 2 |
| 26 | 82 01 583 623 | Embout de poussant | 2 |
| 27 | 82 01 599 640 | Ackerman AV | 2 |
| 28 | 77 11 159 443 | NAS bolt | 4 |
| 29 | 77 11 159 633 | ROTULE UNIBALL | 2 |
| 30 | 82 01 599 634 | Rod end bearing | 2 |
| 31 | 82 01 599 637 | Circlips | 2 |
| 32 | 77 11 159 590 | Rod end bearing | 2 |



avr.-2015



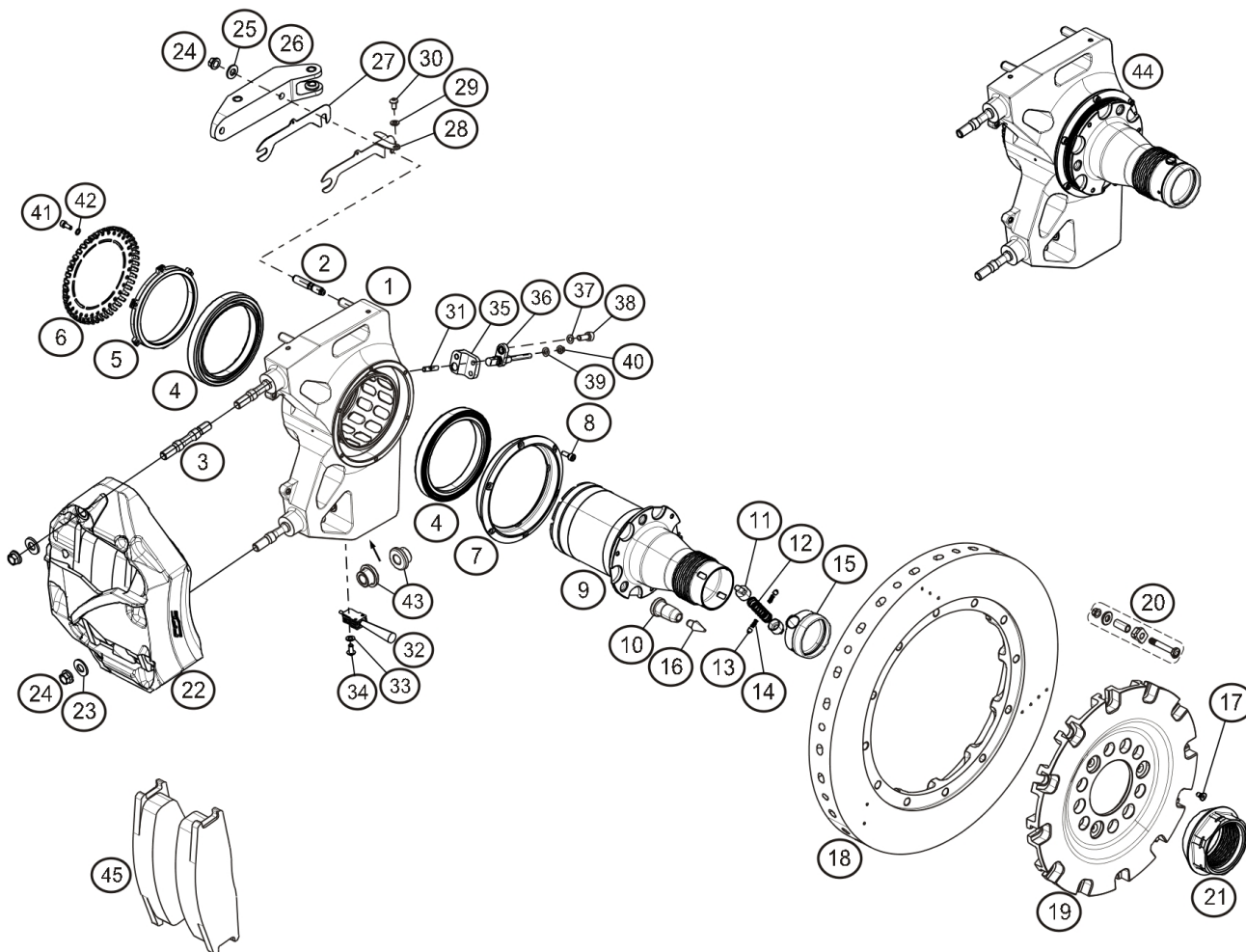
RENAULT SPORT



R.S.01

RENAULT SPORT R.S.01

31.40



| Rep. | Reference | Description | Coef |
|------|---------------|---------------------------------|------|
| 1 | 82 01 599 661 | Upright-Front LH | 1 |
| | 82 01 599 660 | Upright-Front RH | 1 |
| 2 | 82 01 599 675 | Stud m8 fix.levier direction | 4 |
| 3 | 82 01 599 674 | Stud m10 fix etrier | 4 |
| 4 | 82 01 599 676 | Roulement roue AV | 4 |
| 5 | 82 01 599 669 | Ecrou G de roulement | 1 |
| | 82 01 599 668 | Ecrou D de roulement | 1 |
| 7 | 82 01 599 665 | Bague fix roulement | 2 |
| 8 | 82 01 599 677 | vis tcei m10-32 unf 1/2 cl:12/9 | 12 |
| 9 | 82 01 599 664 | Moyeu AVG | 1 |
| | 82 01 599 662 | Moyeu AVD | 1 |
| 10 | 82 01 599 697 | toc d'entrainement | 12 |
| 11 | 82 01 599 672 | Doigt securite ecrou de roue | 4 |
| 12 | 82 01 599 673 | Spring | 2 |
| 13 | 77 11 159 572 | Moulding | 4 |
| 14 | 77 11 159 571 | Spring | 4 |
| 15 | 82 01 599 667 | Corps blocage ecrou roue | 2 |
| 16 | 77 11 163 551 | PION POSITION ROUE | 6 |
| 17 | 82 01 599 698 | CHS Bolt 10x32 unf.3/8 cl.12/9 | 6 |
| 18 | 82 01 595 416 | Brake disc | 2 |
| 19 | 82 01 595 417 | Bol de disque AV | 2 |
| 20 | 82 01 595 419 | Kit bobinettes | 2 |
| 21 | 82 01 599 671 | Ecrou de roue G | 1 |
| | 82 01 599 670 | Ecrou de roue D | 1 |
| 22 | 82 01 579 753 | LH Front brake caliper | 1 |
| | 82 01 579 754 | Etrier AVD | 1 |
| 23 | 77 11 165 411 | Washer Ø10 | 4 |
| 24 | 77 11 159 574 | Nut M10X1 | 8 |
| 25 | 77 11 165 548 | Washer Ø10 | 4 |
| 26 | 82 01 599 640 | Ackerman AV | 2 |
| 27 | 82 01 599 646 | Travel stop ép:2 | 1 |
| | 82 01 599 644 | Travel stop ép:1 | 1 |
| | 82 01 599 645 | Travel stop ép:1.5 | 1 |
| 28 | 82 01 599 648 | Cale AVG de carrossage | 1 |
| | 82 01 599 647 | Cale AVD de carrossage | 1 |
| 31 | 77 11 165 412 | Stud M5x18 | 4 |
| 32 | 82 01 591 477 | Capteur température frein | 1 |
| 33 | 82 01 583 697 | Washer Ø3 | 4 |
| 34 | 82 01 599 658 | vis tbei m3 lg:15 cl:10/9 | 1 |
| 35 | 82 01 599 656 | Support G capteur vitesse | 1 |
| | 82 01 599 654 | Support D capteur vitesse | 1 |
| 36 | 82 01 586 513 | Capteur vitesse roue | 2 |
| 37 | 82 01 599 657 | Washer 5 | 2 |



avr.-2015



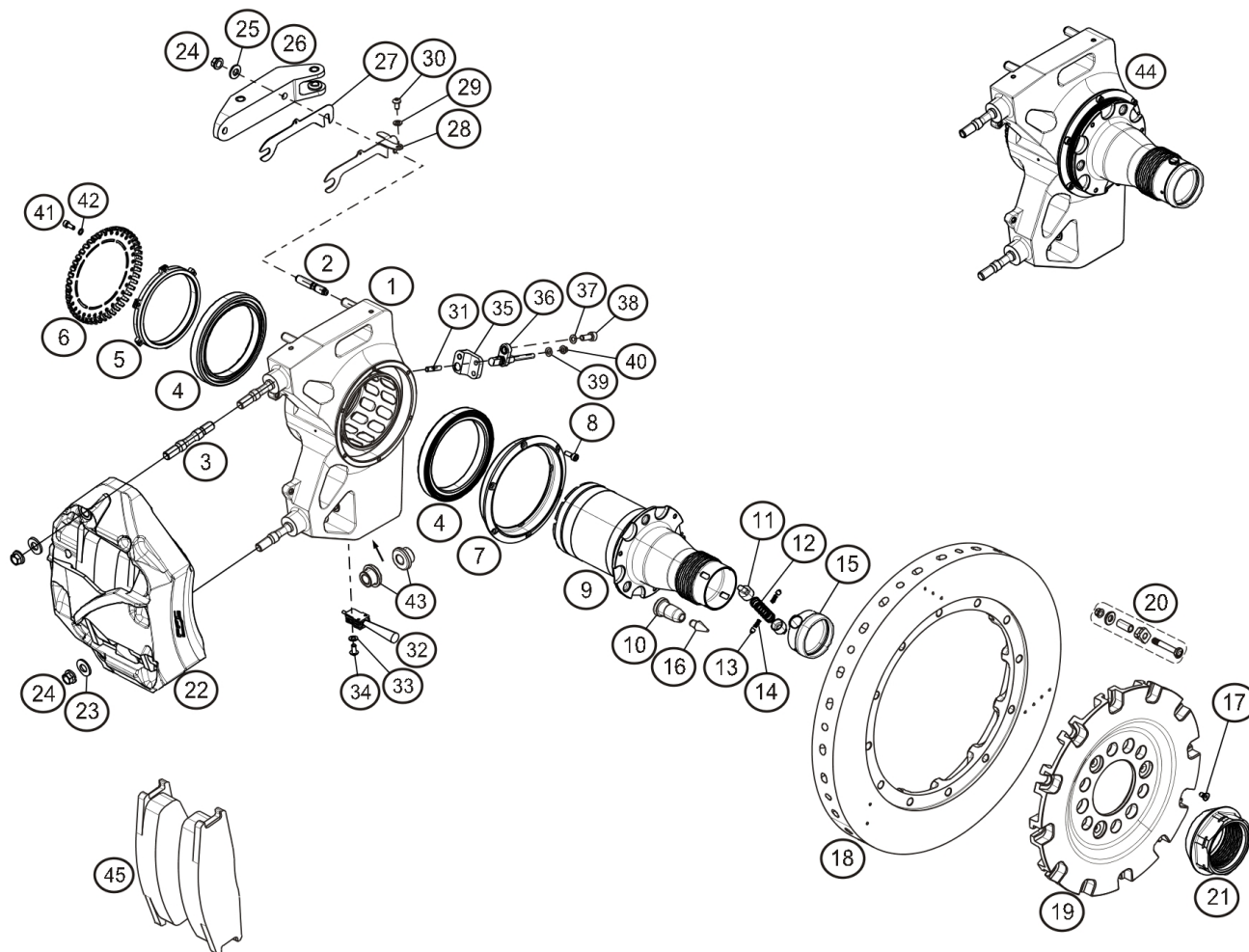
RENAULT SPORT



R.S.01

RENAULT SPORT **R.S.01**

31.40



| Rep. | Reference | Description | Coef |
|------|---------------|-------------------------|------|
| 38 | 77 11 158 344 | CHS Bolt M6-16 | 2 |
| 39 | 77 11 159 263 | Washer Ø5 | 4 |
| 40 | 77 11 159 375 | Nut M5 | 4 |
| 41 | 77 11 065 977 | CHS Bolt M4 lg=10 | 6 |
| 42 | 82 01 599 696 | Washer 4 | 6 |
| 43 | 82 01 599 653 | Entretoise porte moyeu | 4 |
| 44 | 82 01 599 652 | Porte moyeu AVG complet | 1 |
| | 82 01 599 651 | Porte moyeu AVD complet | 1 |



avr.-2015



RENAULT SPORT

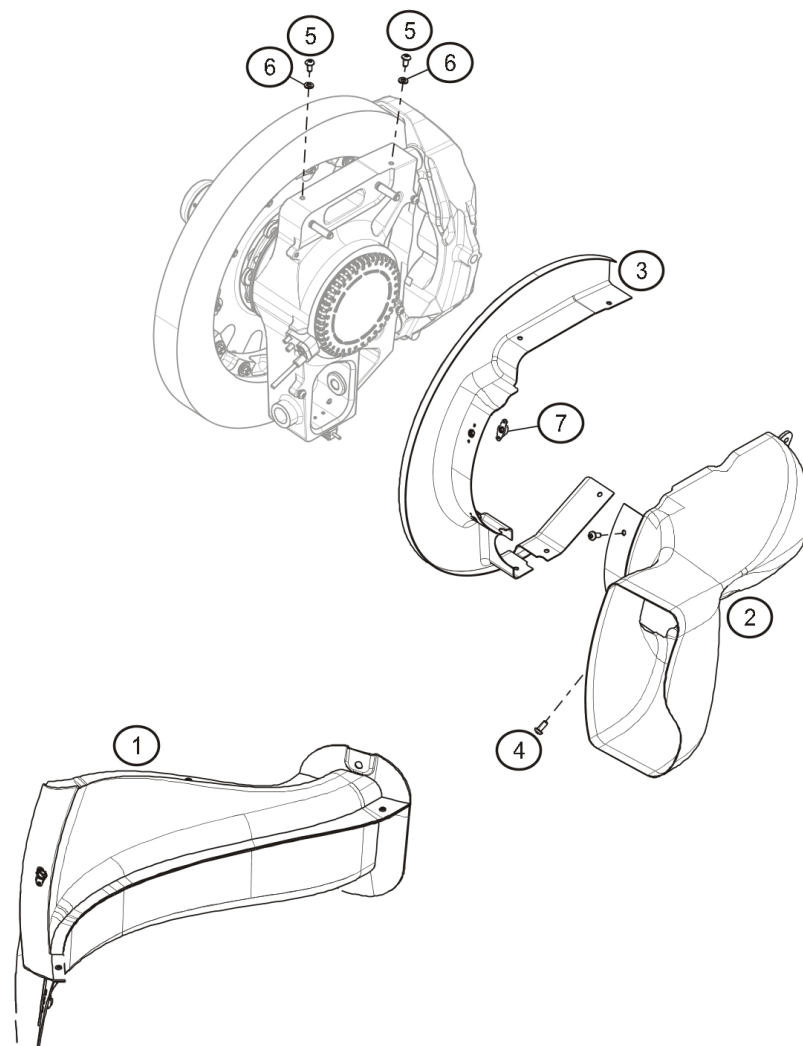
31.40



R.S.01

RENAULT
SPORT **R.S.01**

31.80



| Rep. | Reference | Description | Coef |
|------|----------------------|----------------------------|------|
| 1 | 82 01 583 634 | Conduit air frein AVG | 1 |
| | 82 01 583 635 | Conduit air frein AVD | 1 |
| 2 | 82 01 600 239 | Ecope de frein AVG | 1 |
| | 82 01 600 240 | Ecope de frein AVD | 1 |
| 3 | 82 01 600 237 | Convergent écope frein AVG | 1 |
| | 82 01 600 238 | Convergent écope frein AVD | 1 |
| 4 | 77 11 159 338 | VIS CB M5X12 | 4 |
| 6 | 77 11 159 263 | Washer Ø5 | 10 |
| 7 | 77 11 165 396 | Ecroû à riveter M5 | 4 |



RENAULT SPORT

juil.-2015



RENAULT

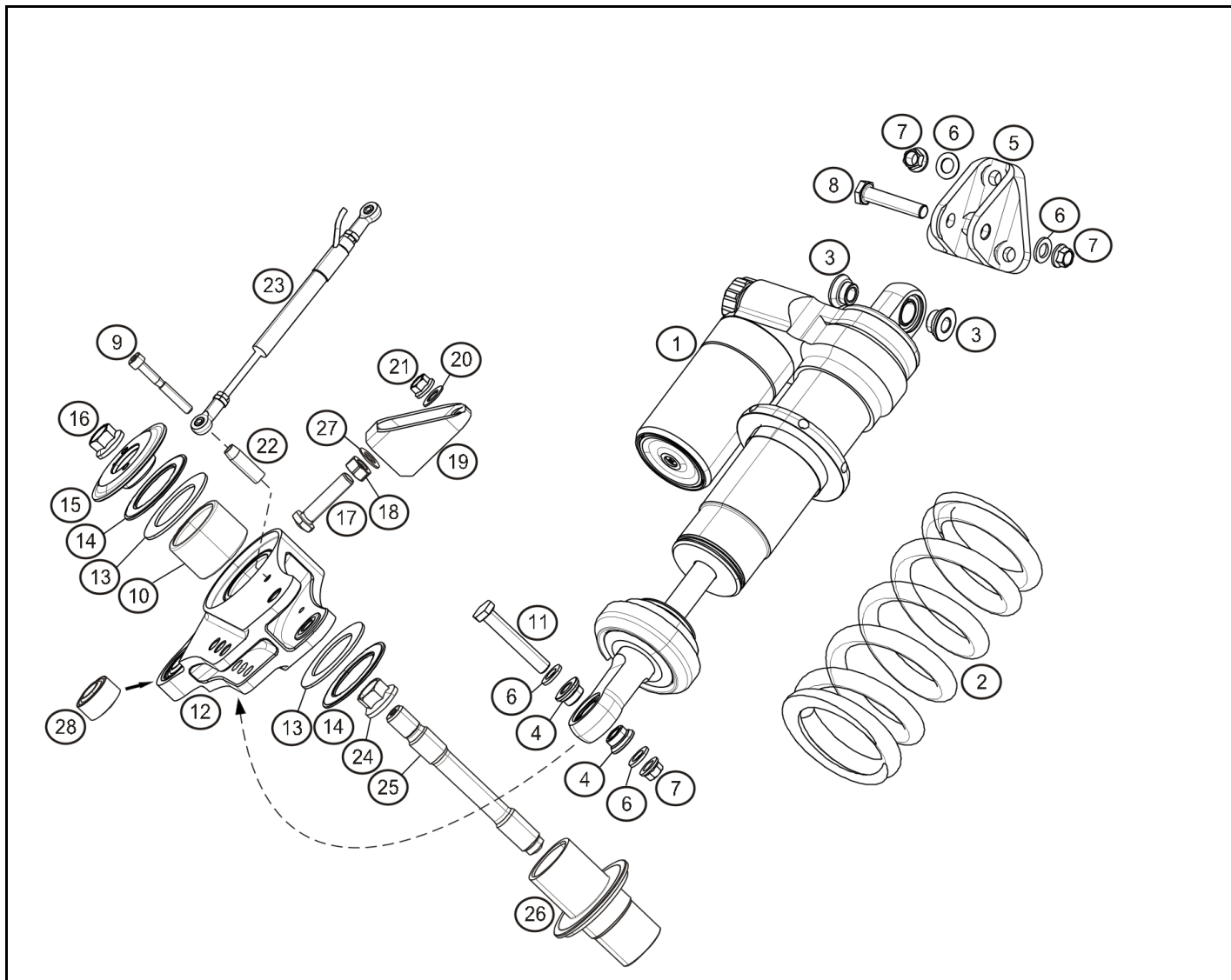
31.80



R.S.01

RENAULT SPORT R.S.01

32.00



| Rep. | Reference | Description | Coef |
|------|---------------|-------------------------------|------|
| 1 | 82 01 579 758 | Front damper | 2 |
| 2 | 82 01 579 112 | Spring 900 lb/in | 2 |
| | 82 01 579 113 | Spring 1000 lb/in | 2 |
| | 82 01 579 740 | Spring 1100 lb/in | 2 |
| 3 | 82 01 586 566 | entretoise sup.amortisseur | 4 |
| 4 | 82 01 595 408 | entretoise inf.amortisseur | 4 |
| 5 | 77 11 159 613 | Support amortisseur | 2 |
| 6 | 77 11 159 617 | Washer | 12 |
| 7 | 77 11 166 376 | UNF nut 5/16 | 6 |
| 8 | 77 11 159 443 | NAS bolt | 2 |
| 9 | 82 01 599 627 | CHS Bolt m5x40 cl.8/8 uni5931 | 2 |
| 10 | 82 01 583 627 | Bearing | 2 |
| 11 | 77 11 166 190 | NAS bolt 1305-22 | 2 |
| 12 | 82 01 599 620 | bascule assemble | 2 |
| 13 | 82 01 583 641 | Rondelle de roulement | 4 |
| 14 | 77 11 159 608 | ROULEMENT NTA | 4 |
| 15 | 77 11 159 602 | ECROU BASCULEUR | 2 |
| 16 | 77 11 159 603 | Locknut 12PH135M | 2 |
| 17 | 82 01 595 410 | vis support butee | 2 |
| 18 | 77 11 159 816 | Nut M8 | 2 |
| 19 | 82 01 595 409 | support butee rocker avant | 2 |
| 20 | 77 11 159 474 | Washer Ø8 | 4 |
| 21 | 77 11 159 367 | Nut M8 | 4 |
| 22 | 82 01 599 622 | Entretoise de capteur | 2 |
| 23 | 82 01 586 520 | capteur debatement cable | 2 |
| 24 | 77 11 159 604 | Nut M14x100 | 2 |
| 25 | 77 11 159 606 | AXE BASCULEUR | 2 |
| 26 | 77 11 159 605 | PIVOT BASCULEUR | 2 |
| 27 | 77 11 159 409 | Washer Ø8 | 2 |
| 28 | 77 11 159 590 | Rod end bearing | 2 |



juil.-2015



RENAULT SPORT

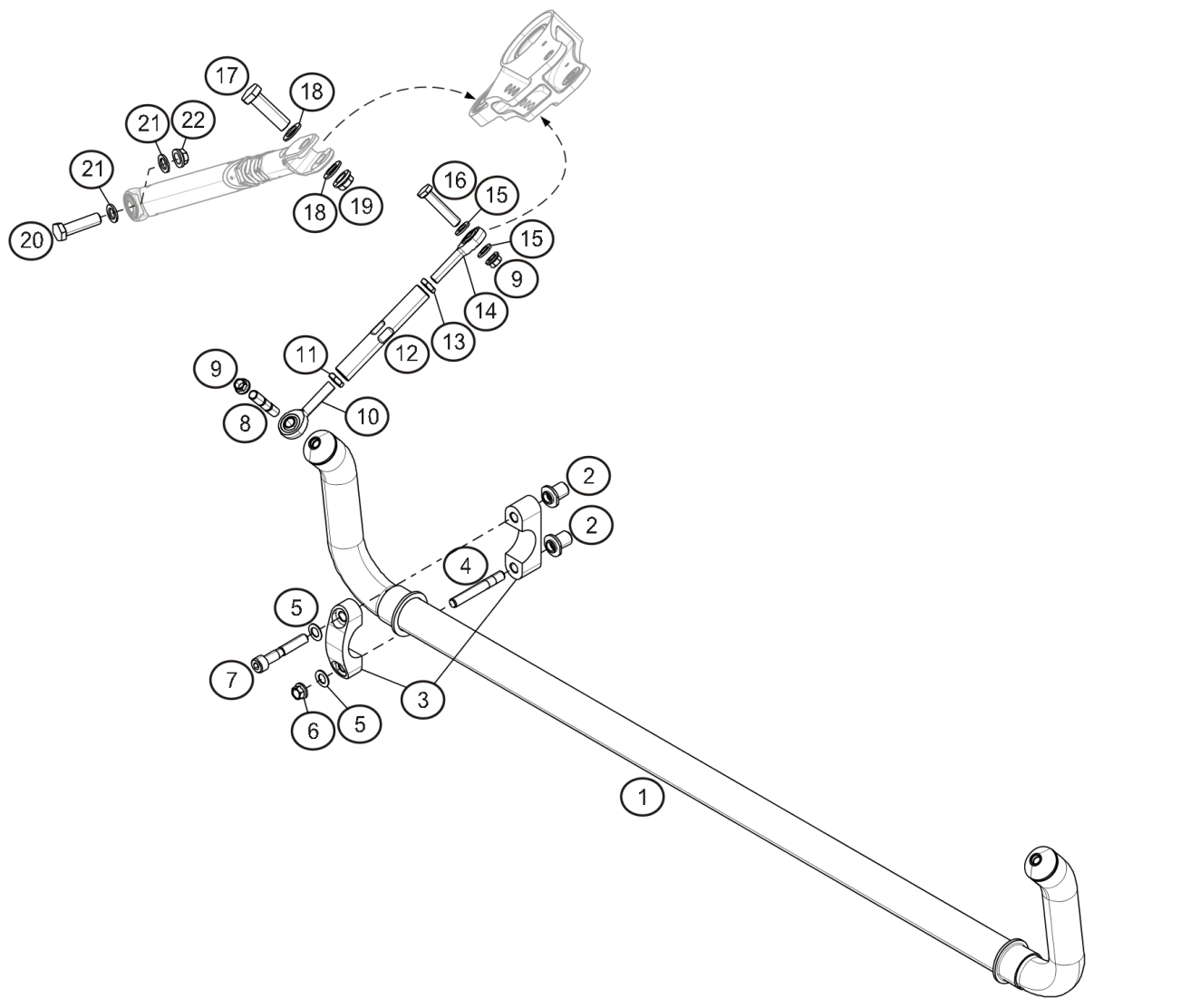
32.00



R.S.01

RENAULT SPORT **R.S.01**

32.10



| Rep. | Reference | Description | Coef |
|------|---------------|------------------------------|------|
| 1 | 82 01 599 624 | Anti-Roll Bar-Front | 1 |
| 2 | 77 11 159 643 | Bush | 4 |
| 3 | 82 01 599 626 | Support barre anti-roulis AV | 1 |
| 4 | 82 01 591 580 | Stud | 2 |
| 5 | 77 11 159 409 | Washer Ø8 | 4 |
| 6 | 77 11 159 367 | Nut M8 | 2 |
| 7 | 77 11 166 587 | CHS Bolt M8-50 cl:12.9 | 2 |
| 8 | 82 01 599 628 | Goujon B.A.R AV | 2 |
| 9 | 77 11 166 376 | UNF nut 5/16 | 4 |
| 10 | 77 11 159 519 | EMBOUT ROTULE | 2 |
| 11 | 77 11 159 520 | Nut | 2 |
| 12 | 82 01 599 629 | Tirant BAR AV | 2 |
| 13 | 77 11 159 635 | Nut | 2 |
| 14 | 77 11 159 639 | Rod end bearing | 2 |
| 15 | 77 11 159 617 | Washer | 4 |
| 16 | 77 11 165 096 | NAS bolt 1305-16 | 2 |
| 17 | 77 11 159 596 | H Bolt | 2 |
| 18 | 77 11 159 588 | Washer | 4 |
| 19 | 77 11 159 585 | Nut | 2 |
| 20 | 82 01 588 638 | NAS bolt 1306-13 | 1 |
| 21 | 77 11 159 435 | Washer | 1 |
| 22 | 77 11 159 421 | UNF nut 3/8 | 1 |



juil.-2015



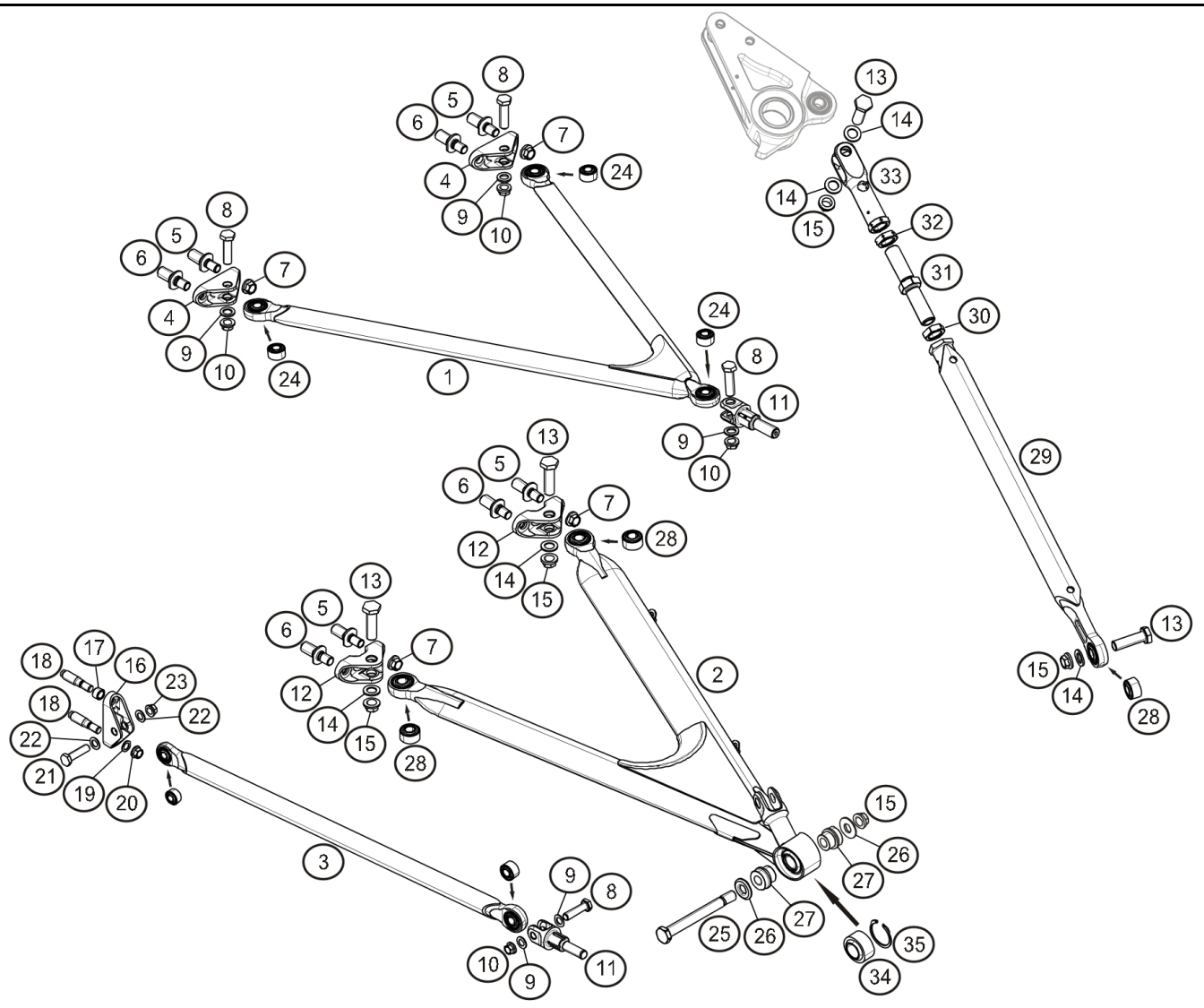
RENAULT SPORT



R.S.01

RENAULT SPORT R.S.01

33.10



| Rep. | Reference | Description | Coef |
|------|---------------|-----------------------------------|------|
| 1 | 82 01 591 480 | Triangle superieur AR | 2 |
| 2 | 82 01 600 248 | Triangle ARG inférieur | 1 |
| | 82 01 600 249 | Triangle ARD inférieur | 1 |
| 3 | 82 01 601 285 | Tirant triangle inf AR | 2 |
| 4 | 82 01 588 644 | chape sup triangle ar | 4 |
| 5 | 77 11 159 577 | Stud | 8 |
| 6 | 77 11 159 576 | Stud | 8 |
| 7 | 77 11 159 574 | Nut M10X1 | 16 |
| 8 | 82 01 588 638 | NAS bolt 1306-13 | 8 |
| 9 | 77 11 159 435 | Washer | 16 |
| 10 | 77 11 159 421 | UNF nut 3/8 | 8 |
| 11 | 82 01 601 286 | Chape tirant / PM | 4 |
| 12 | 77 11 159 586 | Support triangle inf | 4 |
| 13 | 77 11 159 596 | H Bolt | 8 |
| 14 | 77 11 159 588 | Washer | 8 |
| 15 | 77 11 159 585 | Nut | 10 |
| 16 | 82 01 588 643 | fixation biellette | 2 |
| 17 | 77 11 165 364 | Centreur plaque renfort rocker AV | 2 |
| 18 | 82 01 586 592 | goujon epaulé d10 / m8 | 4 |
| 19 | 82 01 586 591 | rondelle moletée m8 | 4 |
| 20 | 77 11 159 367 | Nut M8 | 4 |
| 21 | 82 01 588 640 | NAS bolt 1305-13 | 2 |
| 22 | 77 11 159 617 | Washer | 4 |
| 23 | 77 11 166 376 | UNF nut 5/16 | 2 |
| 24 | 77 11 159 633 | ROTULE UNIBALL | 6 |
| 25 | 82 01 601 290 | Vis triangle / PM AR | 2 |
| 26 | 82 01 601 287 | Rondelle PM AR | 4 |
| 27 | 82 01 601 288 | Entretoise Rotule triangle AR | 4 |
| 28 | 77 11 159 590 | Rod end bearing | 4 |
| 29 | 82 01 583 626 | barre de pousse suspension ar. | 2 |
| 30 | 82 01 583 629 | Nut M16 | 2 |
| 31 | 82 01 583 622 | Régleur poussant AV | 2 |
| 32 | 82 01 582 061 | Nut M16 à gauche | 2 |
| 33 | 82 01 583 623 | Embout de poussant | 2 |
| 34 | 82 01 600 250 | Bearing abwt-12 | 2 |
| 35 | 77 11 159 415 | Circlips | 2 |



avr.-2015



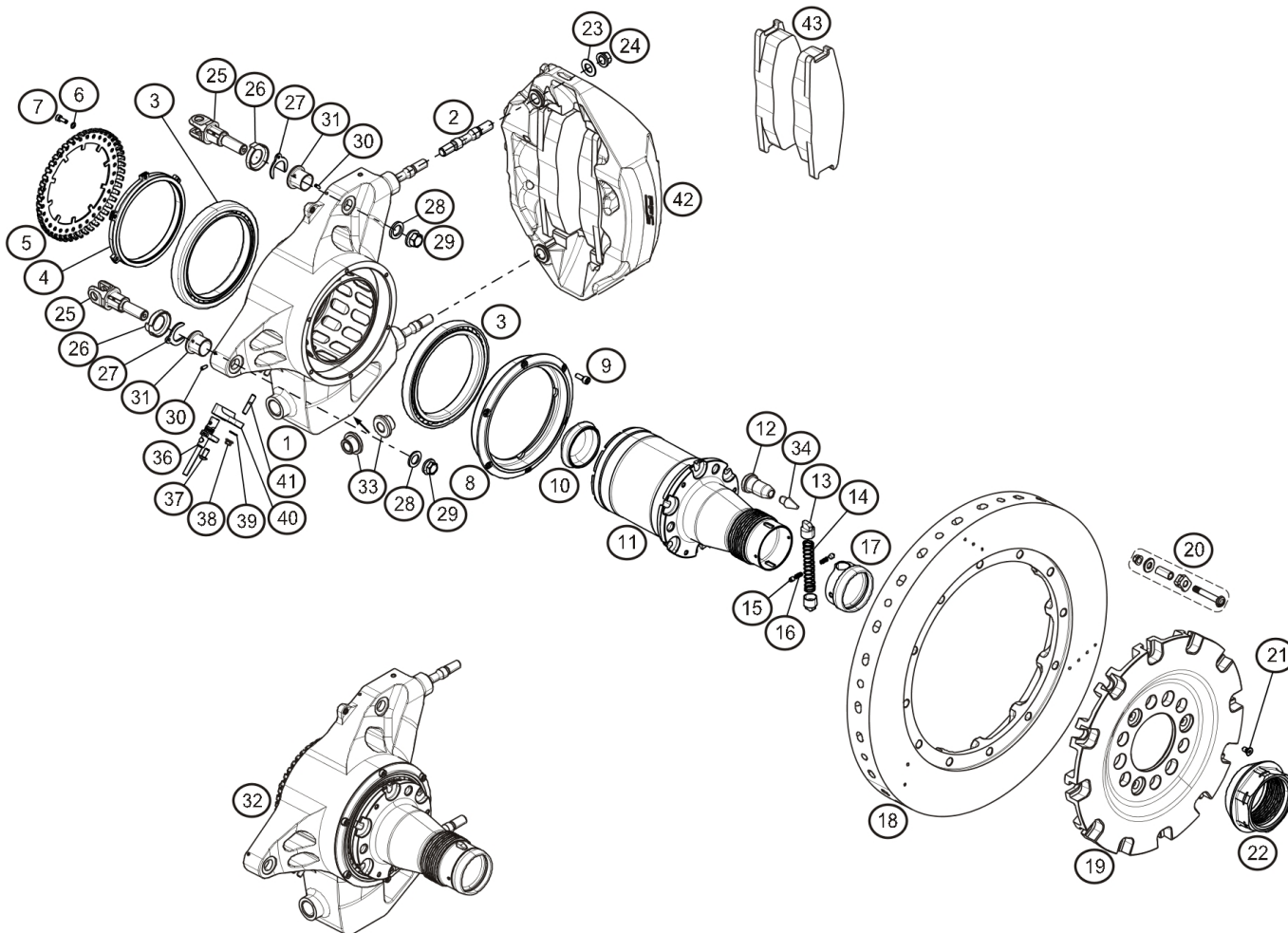
RENAULT SPORT



R.S.01

RENAULT SPORT R.S.01

33.40



| Rep. | Reference | Description | Coef |
|------|----------------------|---------------------------------|------|
| 1 | 82 01 599 685 | Porte moyeu ARG | 1 |
| | 82 01 599 684 | Porte moyeu ARD | 1 |
| 2 | 82 01 599 674 | Stud m10 fix etrier | 4 |
| 3 | 82 01 599 695 | roulement skf 100x127x13 | 2 |
| 4 | 82 01 599 691 | Ecrou G de roulement | 1 |
| | 82 01 599 690 | Ecrou D de roulement | 1 |
| 5 | 82 01 599 692 | Cible vitesse roue AR | 1 |
| 6 | 82 01 599 696 | Washer 4 | 6 |
| 7 | 77 11 065 977 | CHS Bolt M4 lg=10 | 6 |
| 8 | 82 01 599 688 | bague porte-roulement | 2 |
| 9 | 82 01 599 677 | vis tcei m10-32 unf 1/2 cl:12/9 | 12 |
| 11 | 82 01 599 687 | Moyeu ARG | 1 |
| | 82 01 599 686 | Moyeu ARD | 1 |
| 12 | 82 01 599 697 | toc d'entrainement | 12 |
| 13 | 82 01 599 672 | Doigt sécurité écrou de roue | 4 |
| 14 | 82 01 599 673 | Spring | 2 |
| 15 | 77 11 159 572 | Moulding | 4 |
| 16 | 77 11 159 571 | Spring | 4 |
| 17 | 82 01 599 667 | Corps blocage ecrou roue | 2 |
| 18 | 82 01 595 416 | Brake disc | 2 |
| 19 | 82 01 595 418 | bol de disque arriere | 2 |
| 20 | 82 01 595 419 | Kit bobinettes | 2 |
| 21 | 82 01 599 698 | CHS Bolt 10x32 unf.3/8 cl.12/9 | 6 |
| 22 | 82 01 599 671 | Ecrou de roue G | 1 |
| | 82 01 599 670 | Ecrou de roue D | 1 |
| 23 | 77 11 165 548 | Washer Ø10 | 1 |
| 24 | 77 11 159 574 | Nut M10X1 | 5 |
| 25 | 82 01 601 286 | Chape tirant / PM | 4 |
| 26 | 82 01 601 706 | Cale carrossage AR | 4 |
| 27 | 82 01 601 704 | Travel stop ép:1.2 | 1 |
| | 82 01 601 702 | Travel stop ép:1 | 1 |
| | 82 01 601 701 | Travel stop ép:0.8 | 1 |
| | 82 01 601 700 | Travel stop ép:2 | 1 |
| | 82 01 601 705 | Travel stop ép:1.5 | 1 |
| 28 | 82 01 601 707 | Washer DIAM=12 | 4 |
| 29 | 77 11 159 603 | Locknut 12PH135M | 4 |
| 31 | 82 01 599 682 | Spacer 18x20 l=19 | 4 |
| 32 | 82 01 599 681 | Porte moyeu ARG complet | 1 |
| | 82 01 599 680 | Porte moyeu ARD complet | 1 |
| 33 | 82 01 599 653 | Entretoise porte moyeu | 4 |
| 34 | 77 11 163 551 | PION POSITION ROUE | 6 |
| 36 | 82 01 588 513 | Capteur vitesse roue | 2 |
| 37 | 77 11 156 958 | Vis CBHC M5-10 | 1 |

juil.-2015



RENAULT SPORT

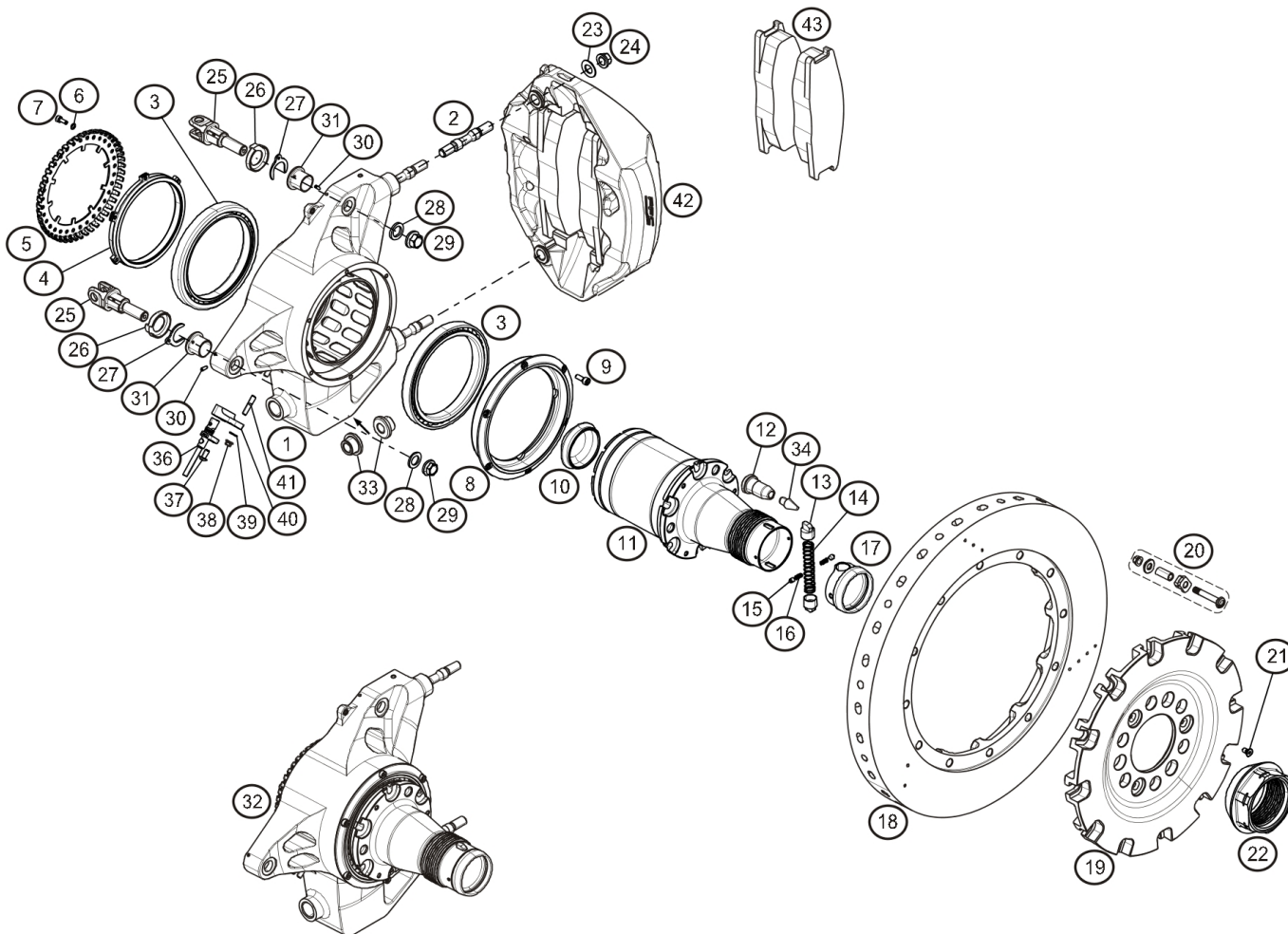
**33.40**



R.S.01

**RENAULT
SPORT R.S.01**

33.40



| Rep. | Reference | Description | Coef |
|------|----------------------|---------------------------|------|
| 38 | 77 11 159 375 | Nut M5 | 4 |
| 39 | 77 11 159 263 | Washer Ø5 | 4 |
| 40 | 82 01 599 656 | Support G capteur vitesse | 1 |
| | 82 01 599 654 | Support D capteur vitesse | 1 |
| 41 | 77 11 165 412 | Stud M5x18 | 4 |
| 42 | 82 01 579 755 | LH Rear brake caliper | 1 |
| | 82 01 579 756 | RH Rear brake caliper | 1 |



juil.-2015



RENAULT SPORT

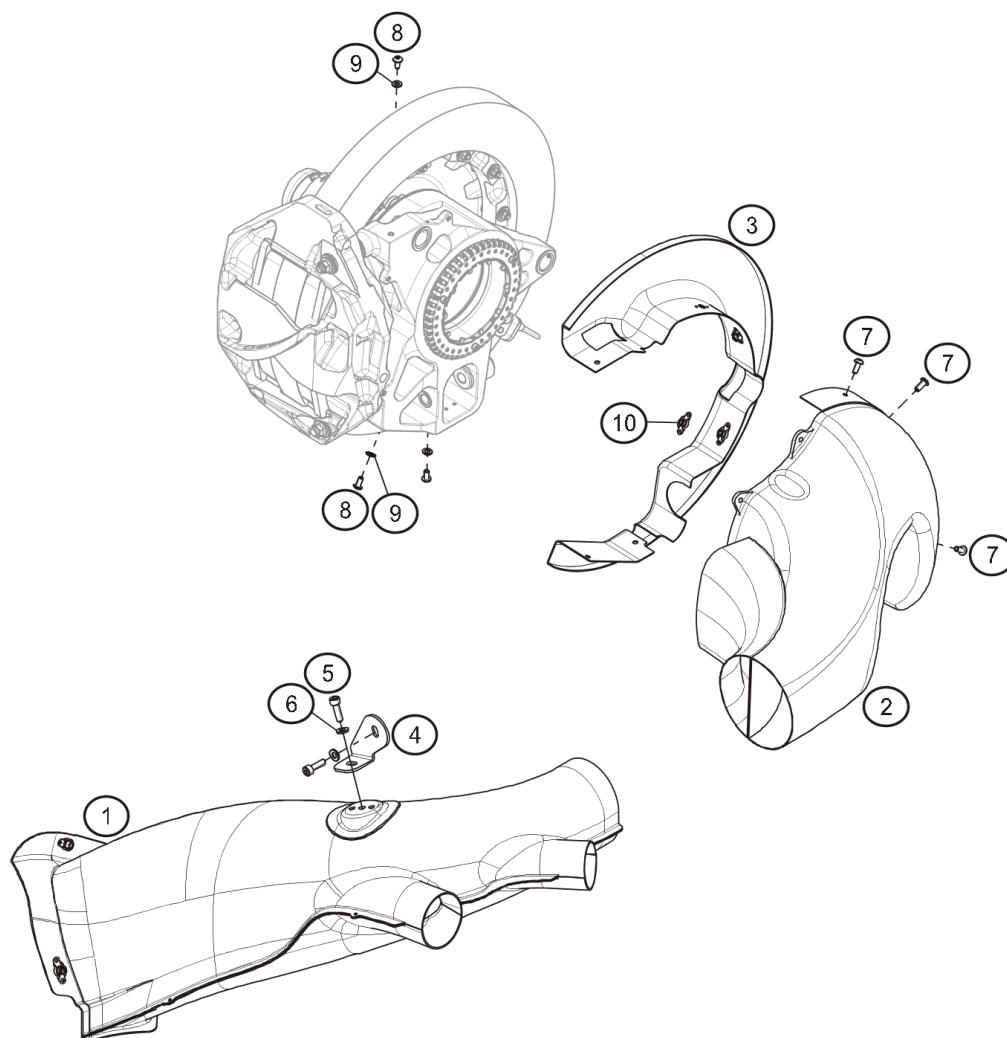
33.40



R.S.01

RENAULT
SPORT **R.S.01**

33.80



| Rep. | Reference | Description | Coef |
|------|----------------------|----------------------------|------|
| 1 | 82 01 583 652 | Conduit air frein ARG | 1 |
| | 82 01 583 653 | Conduit air frein ARD | 1 |
| 2 | 82 01 600 245 | Ecope de frein AVG | 1 |
| | 82 01 600 246 | Ecope de frein AVD | 1 |
| 3 | 82 01 600 243 | Convergent écope frein ARG | 1 |
| | 82 01 600 244 | Convergent écope frein ARD | 1 |
| 4 | 82 01 601 270 | Support conduit air ARG | 1 |
| | 82 01 601 271 | Support conduit air ARD | 1 |
| 5 | 77 11 166 869 | CHS Bolt M6-20 cl:8.8 | 4 |
| 6 | 77 11 159 261 | Washer Ø6 | 4 |
| 7 | 77 11 159 338 | VIS CB M5X12 | 6 |
| 8 | 77 11 156 958 | Vis CBHC M5-10 | 6 |
| 9 | 77 11 159 263 | Washer Ø5 | 6 |
| 10 | 77 11 165 396 | Ecrou à riveter M5 | 4 |



RENAULT SPORT

juil.-2015



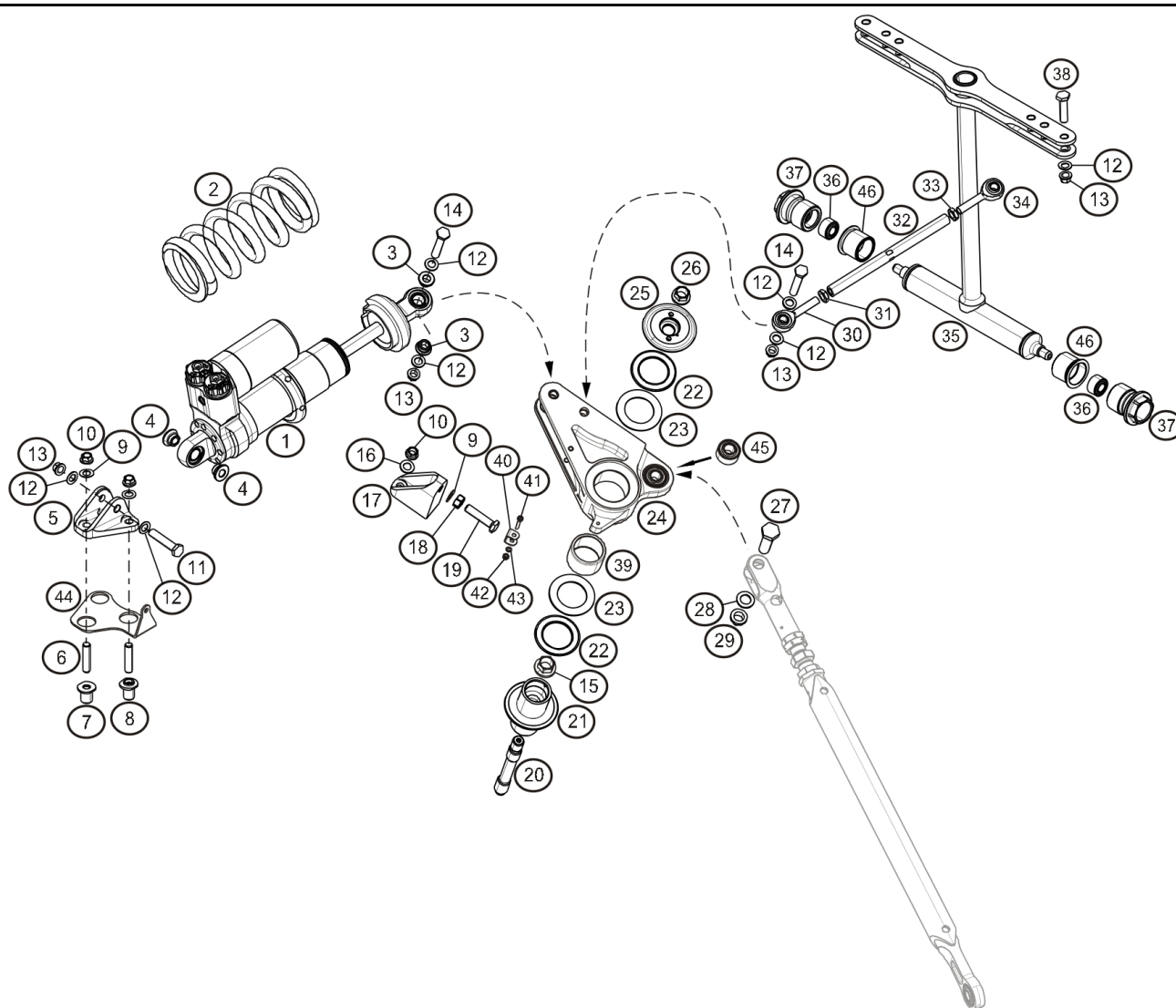
33.80



R.S.01

RENAULT SPORT R.S.01

34.00



| Rep. | Reference | Description | Coef |
|------|---------------|-----------------------------|------|
| 1 | 82 01 579 759 | Shock absorber-Rear | 2 |
| 2 | 82 01 579 741 | Spring 1200 lb/in | 2 |
| | 82 01 579 742 | Spring 1300 lb/in | 2 |
| 3 | 82 01 595 408 | entretoise inf.amortisseur | 1 |
| 4 | 82 01 586 566 | entretoise sup.amortisseur | 4 |
| 5 | 77 11 159 613 | Support amortisseur | 2 |
| 6 | 82 01 588 642 | vis de chape | 6 |
| 9 | 77 11 159 409 | Washer Ø8 | 6 |
| 10 | 77 11 159 367 | Nut M8 | 6 |
| 11 | 77 11 159 443 | NAS bolt | 2 |
| 12 | 77 11 159 617 | Washer | 20 |
| 13 | 77 11 166 376 | UNF nut 5/16 | 10 |
| 14 | 77 11 166 190 | NAS nut 1305-22 | 4 |
| 15 | 77 11 159 604 | Nut M14x100 | 2 |
| 16 | 77 11 159 474 | Washer Ø8 | 4 |
| 17 | 77 11 165 440 | Support butée rocker AR | 2 |
| 18 | 77 11 159 816 | Nut M8 | 2 |
| 19 | 77 11 159 642 | Stud | 2 |
| 20 | 77 11 159 606 | AXE BASCULEUR | 2 |
| 21 | 77 11 159 605 | PIVOT BASCULEUR | 2 |
| 22 | 77 11 159 608 | ROULEMENT NTA | 4 |
| 23 | 82 01 583 641 | Rondelle de roulement | 4 |
| 24 | 82 01 586 565 | rocker arriere assemble | 2 |
| 25 | 77 11 159 602 | ECROU BASCULEUR | 2 |
| 26 | 77 11 159 603 | Locknut 12PH135M | 2 |
| 27 | 77 11 159 596 | H Bolt | 2 |
| 28 | 77 11 159 588 | Washer | 4 |
| 29 | 77 11 159 585 | Nut | 2 |
| 30 | 77 11 159 640 | Left threaded rod end | 2 |
| 31 | 77 11 159 636 | Nut (LH thread) | 2 |
| 32 | 82 01 591 479 | bielle de barre anti-roulis | 2 |
| 33 | 77 11 159 635 | Nut | 2 |
| 34 | 77 11 159 639 | Rod end bearing | 2 |
| 35 | 82 01 582 062 | barre anti-roulis arriere | 1 |
| 36 | 77 11 159 633 | ROTULE UNIBALL | 2 |
| 38 | 77 11 159 463 | NAS bolt | 2 |
| 39 | 82 01 583 627 | Bearing | 2 |
| 40 | 82 01 583 632 | equerre rocker arriere | 2 |
| 41 | 77 11 165 409 | CHS Bolt M3-20 cl:8.8 | 2 |
| 42 | 82 01 586 589 | Nut m3 autobloquant nyloc | 2 |
| 43 | 82 01 583 697 | Washer Ø3 | 2 |
| 44 | 82 01 588 636 | Support G capteur | 1 |
| | 82 01 588 639 | Support D capteur | 1 |

juil.-2015



RENAULT SPORT

**34.00**

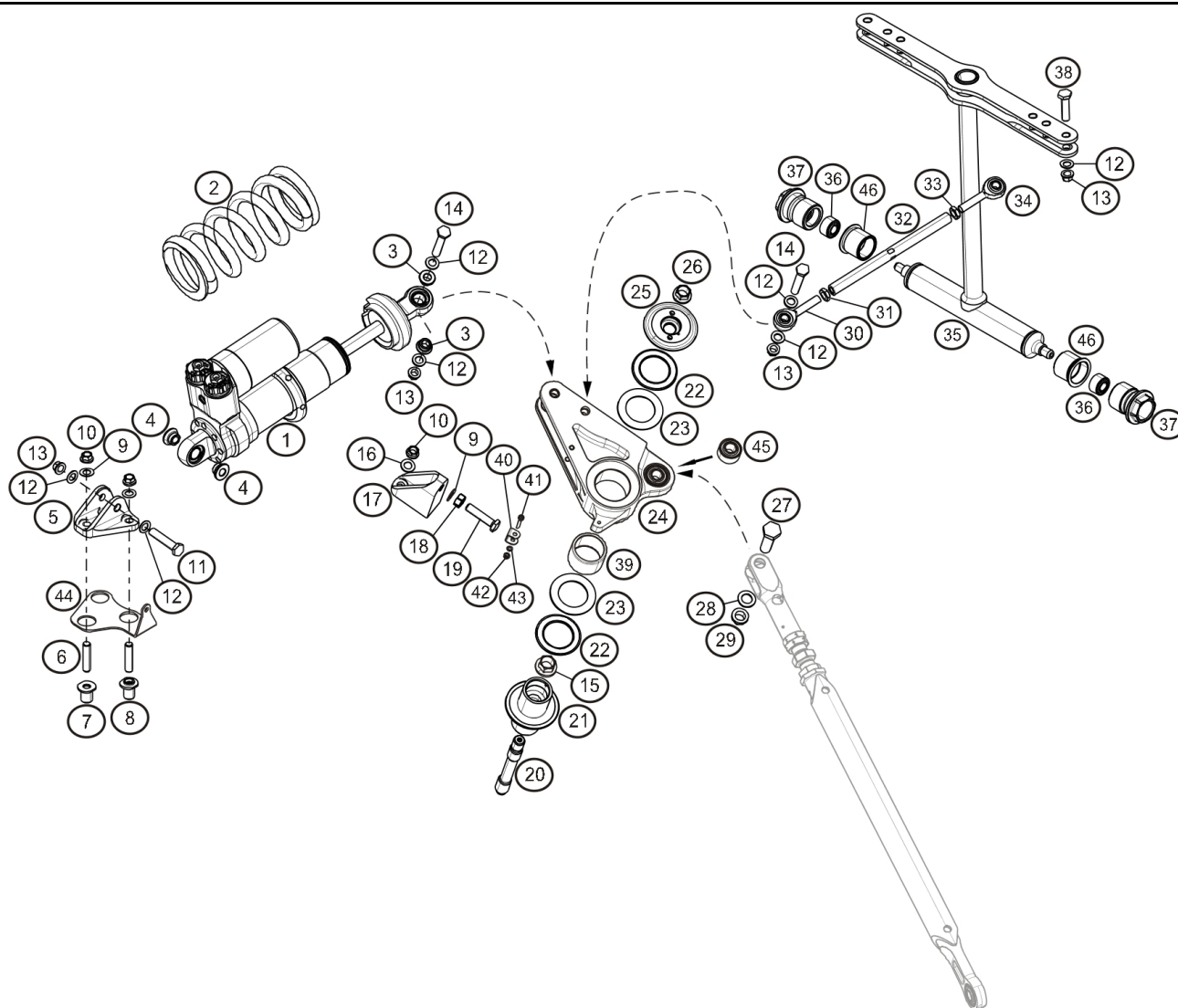


R.S.01

RENAULT SPORT R.S.01

34.00

| Rep. | Reference | Description | Coef |
|------|----------------------|---------------------------------|------|
| 46 | 82 01 586 544 | entretoise barre anti-roulis ar | 2 |
| 100 | 82 01 582 065 | circlip iv 21* | 1 |



juil.-2015



RENAULT SPORT

34.00

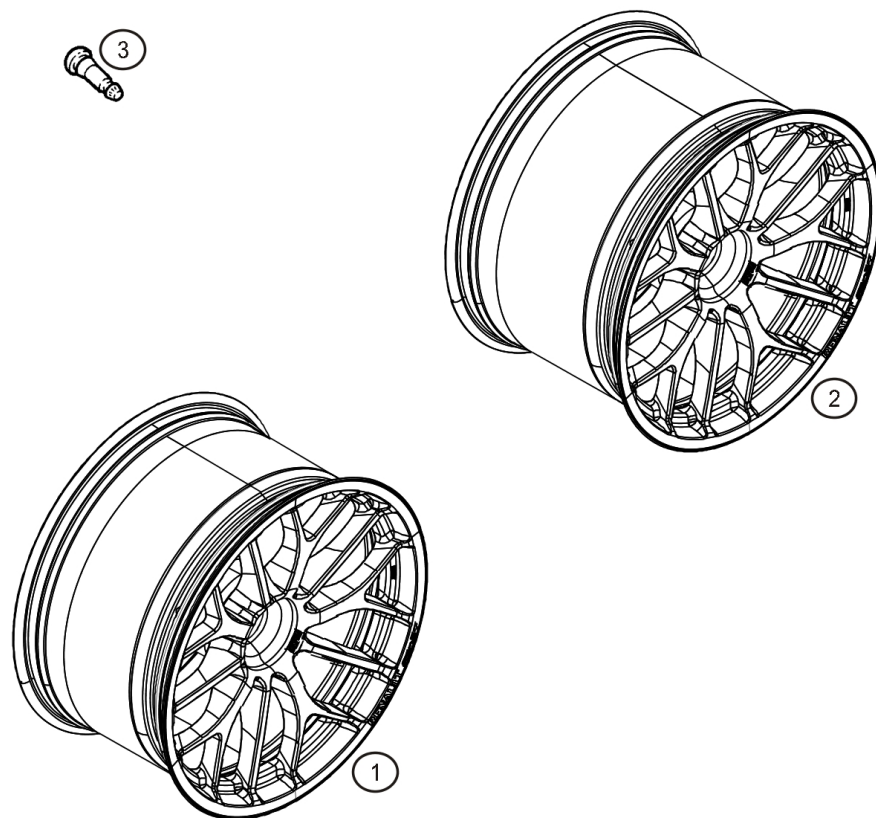


R.S.01

RENAULT
SPORT **R.S.01**

35.00

| Rep. | Reference | Description | Coef |
|------|---------------|-------------|------|
| 1 | 82 01 552 991 | Wheel Front | 2 |
| 2 | 82 01 552 993 | Wheel Rear | 2 |
| 3 | 77 11 159 564 | Valve alu | 4 |



RENAULT SPORT

avr.-2015



RENAULT

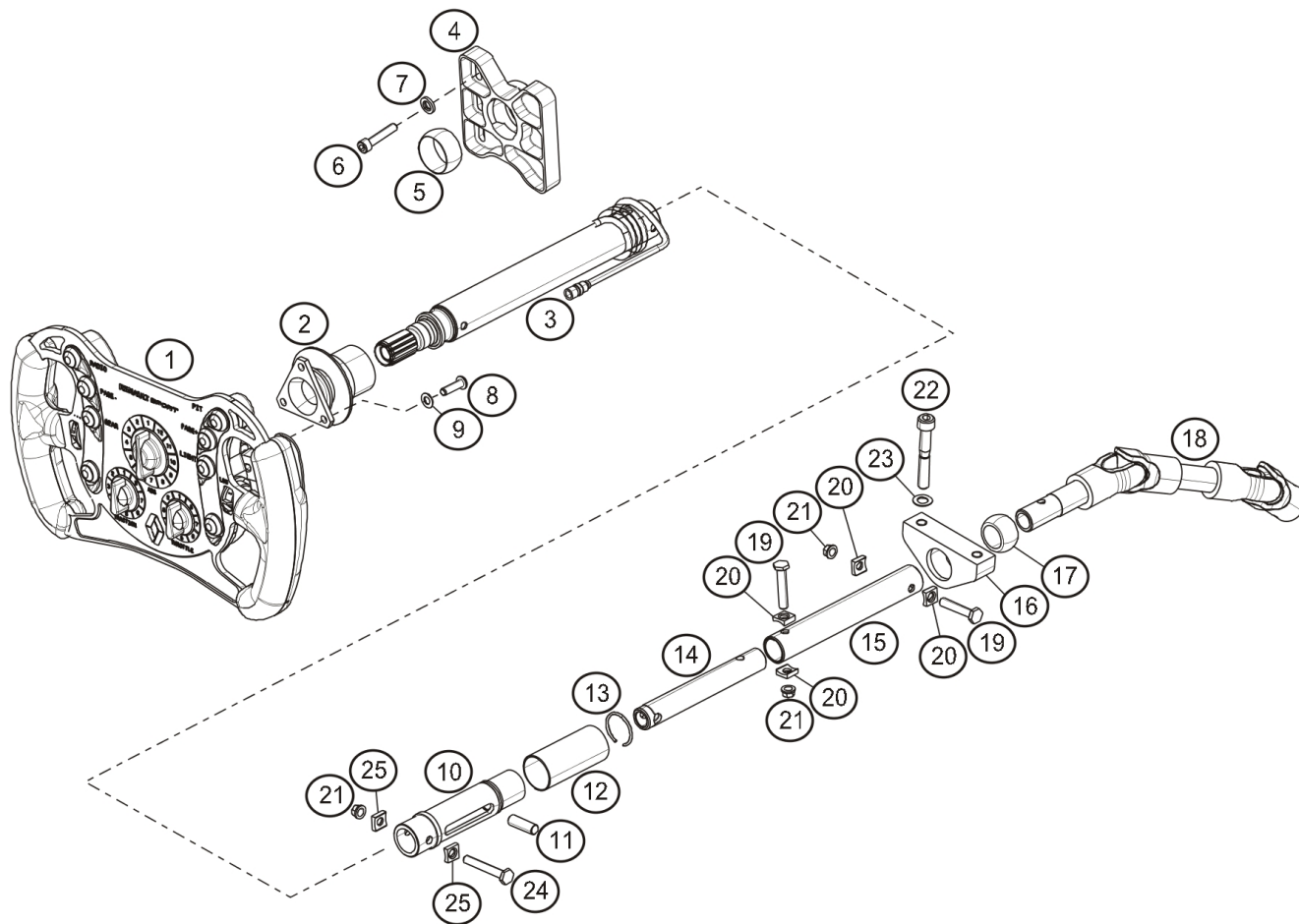
35.00



R.S.01

RENAULT SPORT R.S.01

36.00



| Rep. | Reference | Description | Coef |
|------|------------------------|----------------------------------|------|
| 1 | 82 01 586 521 | Steering wheel | 1 |
| 2 | ® 00 00 166 019 | Steering wheel hub | 1 |
| 3 | 82 01 588 620 | colonne superieur cablee | 1 |
| 4 | 82 01 600 251 | SUPPORT SUP.COLONNE DE DIRECTION | 1 |
| 5 | 82 01 588 650 | entretoise bronze | 1 |
| 6 | 77 11 159 882 | VIS CB M6-30 | 4 |
| 7 | 77 11 159 533 | Washer | 4 |
| 8 | 77 11 159 293 | VIS CB M6X20 CL:10.9 | 3 |
| 9 | 77 11 159 261 | Washer Ø6 | 3 |
| 10 | 82 01 588 604 | COULISSE FEMELLE COLONNE DIRECT. | 1 |
| 11 | 82 01 588 606 | DOIGT INDEXEUR | 1 |
| 12 | 82 01 600 283 | BAGUE COLONNE DIRECTION | 1 |
| 13 | 82 01 591 478 | Circlip | 1 |
| 14 | 82 01 579 129 | COULISSE MALE COLONNE DIRECTION | 1 |
| 15 | 82 01 579 114 | Barreau de colonne | 1 |
| | 82 01 612 532 | Barreau de colonne Lg:70mm | 1 |
| | 82 01 612 533 | Barreau de colonne Lg:85mm | 1 |
| | 82 01 612 534 | Barreau de colonne Lg:115mm | 1 |
| 16 | 82 01 588 651 | sup.inf.colonne de direction | 1 |
| 17 | 82 01 588 652 | entretoise colonne direction | 1 |
| 18 | 82 01 588 656 | colonne de direction inf. | 1 |
| 19 | 77 11 166 186 | NAS bolt 1304-15 | 2 |
| 20 | 82 01 588 655 | rondelle demi-lune | 4 |
| 21 | 77 11 166 375 | UNF nut 1/4 | 3 |
| 22 | 77 11 159 432 | CHS Bolt M8-55 | 2 |
| 23 | 77 11 165 408 | Washer Ø8 | 2 |
| 24 | 82 01 588 649 | NAS bolt 1304-20 | 1 |
| 25 | 82 01 588 654 | rondelle demi-lune d=31 | 2 |



avr.-2015



RENAULT SPORT

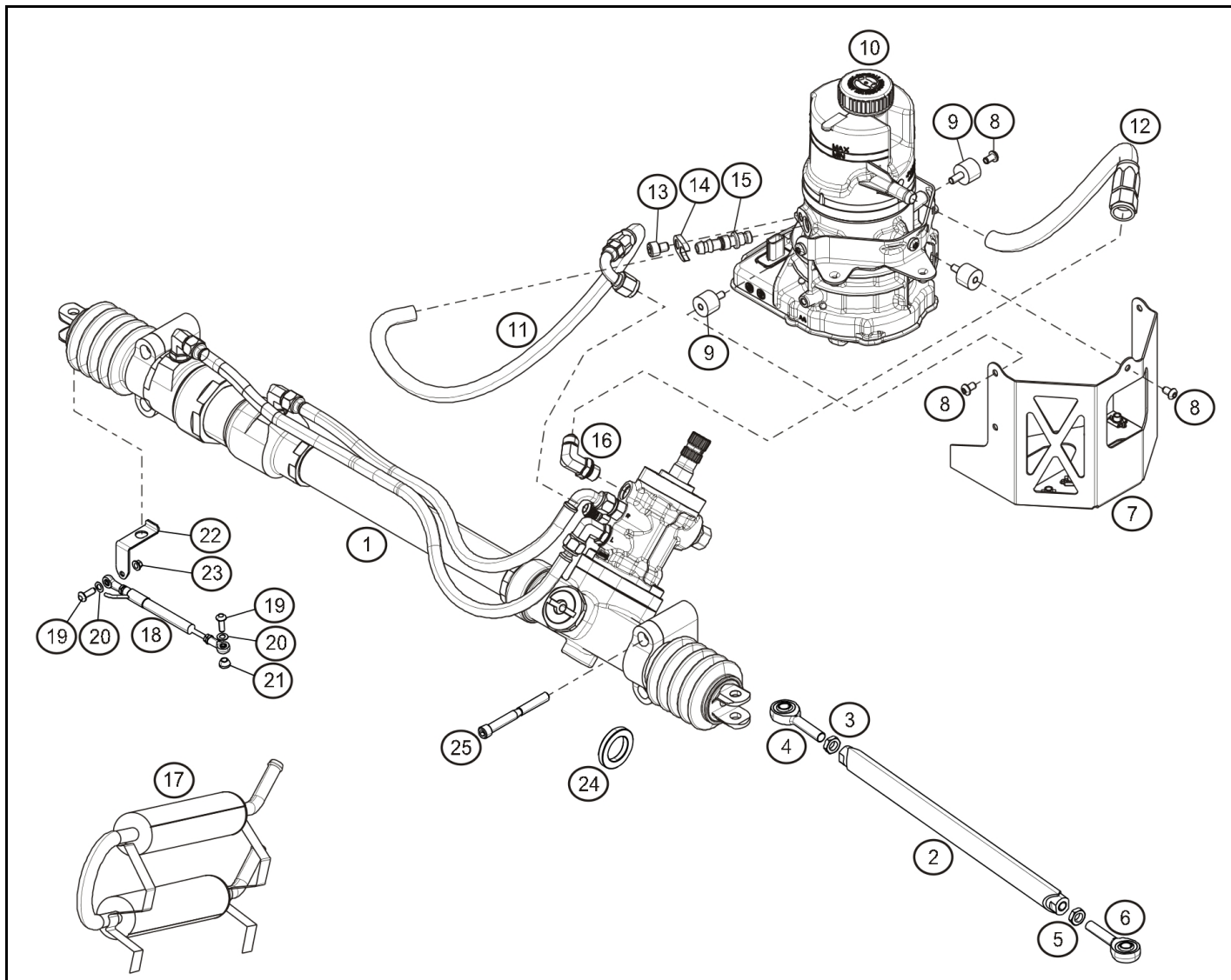
36.00



R.S.01

RENAULT SPORT R.S.01

36.10



| Rep. | Reference | Description | Coef |
|------|---------------|--------------------------|------|
| 1 | 82 01 568 479 | Crémaillère de direction | 1 |
| 2 | 82 01 599 639 | Steering tierod | 1 |
| 3 | 77 11 159 636 | Nut (LH thread) | 2 |
| 4 | 77 11 159 640 | Left threaded rod end | 2 |
| 5 | 77 11 159 635 | Nut | 2 |
| 6 | 77 11 159 639 | Rod end bearing | 2 |
| 7 | 82 01 600 252 | SUPPORT POMPE D.A. | 1 |
| 8 | 77 11 165 189 | BHS Bolt M6-10 | 4 |
| 9 | 82 01 600 257 | Silentbloc M6 LG=35MM | 4 |
| 10 | 49 11 078 74R | Power steering pump | 1 |
| 11 | 82 01 588 610 | tuyau sortie pompe da | 1 |
| 12 | 82 01 588 611 | tuyau entree pompe da | 1 |
| 18 | 82 01 586 520 | capteur debatement cable | 1 |
| 19 | 82 01 600 256 | Screw TBHC M5X-6 cl.12.9 | 2 |
| 20 | 82 01 600 657 | Washer | 2 |
| 21 | 82 01 600 254 | Spacer-Sensor | 1 |
| 22 | 82 01 600 253 | Mounting bracket-Sensor | 1 |
| 23 | 77 11 159 375 | Nut M5 | 1 |
| 25 | 82 01 600 255 | CHS Bolt 5/16-24 cl:12.9 | 4 |



juil.-2015



RENAULT SPORT

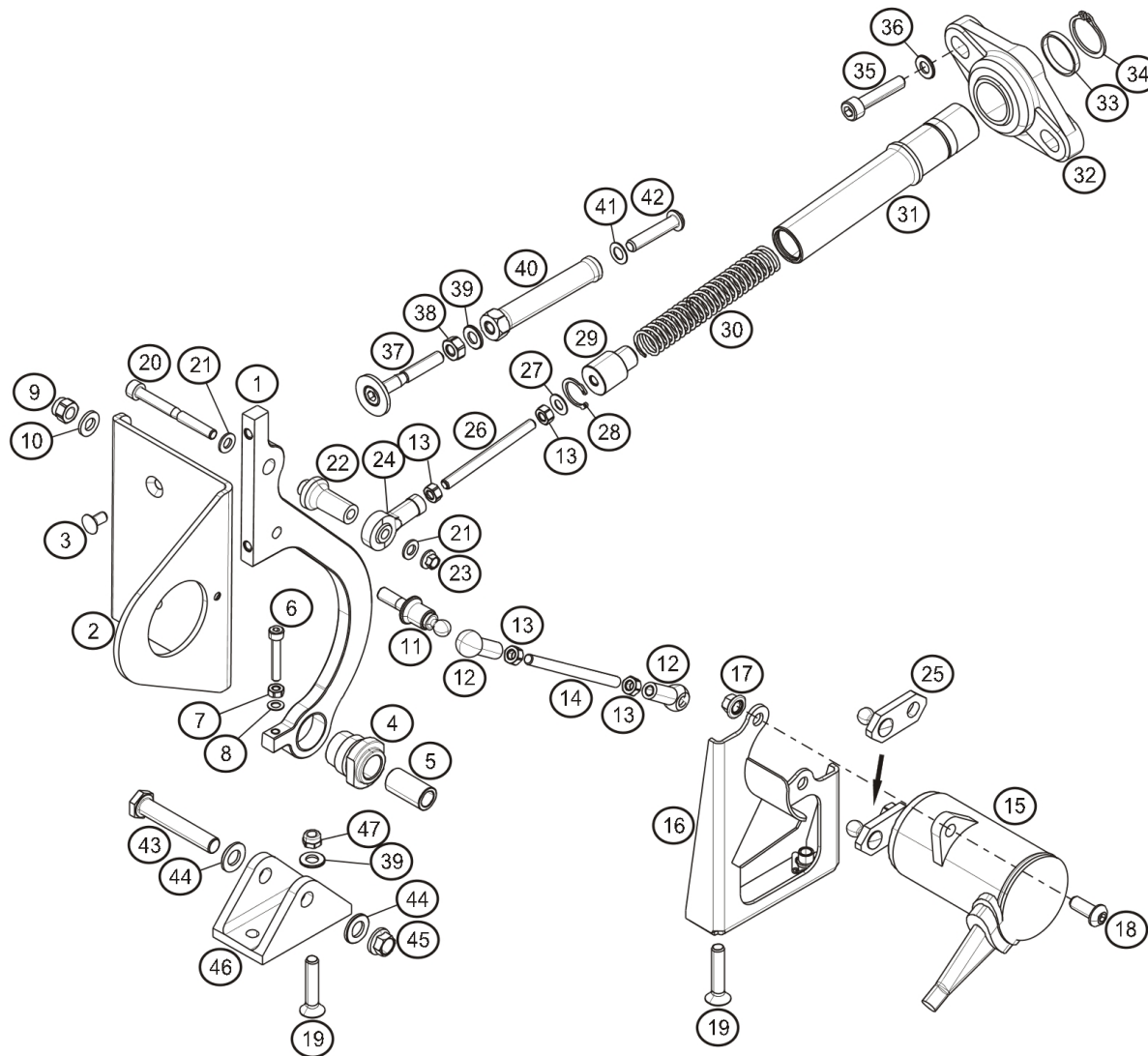
36.10



R.S.01

RENAULT SPORT R.S.01

37.00



| Rep. | Reference | Description | Coef |
|------|---------------|----------------------------------|------|
| 1 | 82 01 600 262 | Accelerator pedal | 1 |
| 2 | 82 01 600 260 | Patin pédale accélérateur | 1 |
| 3 | 82 01 600 265 | FHS Bolt M5-10 cl:10.9 | 2 |
| 4 | 82 01 600 264 | Entretoise pédale accélérateur | 1 |
| 5 | 82 01 600 263 | Bague bronze | 1 |
| 6 | 82 01 600 266 | CHS Bolt M4-25 cl:8.8 | 1 |
| 7 | 77 11 165 043 | Nut M4 cl8.8 | 2 |
| 9 | 77 11 165 094 | Nut M6 | 1 |
| 10 | 77 11 159 261 | Washer Ø6 | 1 |
| 11 | 82 01 600 261 | axe commande pedale accelerateur | 1 |
| 12 | 77 11 159 695 | Embout biellette | 2 |
| 13 | 77 11 159 694 | Nut M5 | 4 |
| 14 | 77 11 159 693 | TIGE FILETEE | 1 |
| 15 | 77 11 165 697 | Capteur pédale accélérateur | 1 |
| 16 | 82 01 600 277 | support potentiometre accelarat. | 1 |
| 17 | 82 01 591 445 | Washer Ø6 | 2 |
| 18 | 82 01 591 447 | vis tbei 1/4-28 unf x3/4 iso7380 | 2 |
| 19 | 77 11 165 397 | CHS Bolt M5-15 | 4 |
| 20 | 82 01 600 284 | CHS Bolt M5-50 cl:8.8 | 1 |
| 21 | 77 11 165 399 | Washer Ø5.3 | 2 |
| 22 | 82 01 600 287 | ressort extension pedale accel. | 1 |
| 23 | 77 11 159 405 | Nut-Thin M5 Nylstop | 1 |
| 24 | 82 01 600 276 | Rod end bearing-UNIBAL SF5 | 1 |
| 25 | 77 11 159 992 | BIELLETTTE CAPTEUR ACCEL | 1 |
| 26 | 82 01 600 272 | tige amortisseur | 1 |
| 27 | 77 11 159 339 | Washer Ø5 | 1 |
| 28 | 77 11 159 702 | Circlips | 1 |
| 29 | 77 11 159 705 | ARRET RESSORT | 1 |
| 30 | 77 11 161 948 | RESSORT PEDALE JAUNE K=5 LB/IN | 1 |
| | 77 11 161 928 | RESSORT BLEU K=13LB/IN | 1 |
| | 77 11 159 905 | RESSORT VERT 11 LB/IN | 1 |
| | 77 11 159 704 | Ressort pédale | 1 |
| | 77 11 165 221 | Ressort blanc 4.5 lb/in | 1 |
| | 77 11 165 222 | Ressort noir 3.5 lb/in | 1 |
| 31 | 82 01 600 271 | corps amortisseur accelerateur | 1 |
| 32 | 82 01 600 275 | palier a colerette igus efom-20 | 1 |
| 33 | 82 01 601 721 | cale amortisseur accelerateur | 1 |
| 34 | 77 11 159 701 | Circlips | 1 |
| 35 | 77 11 159 882 | VIS CB M6-30 | 2 |
| 36 | 77 11 159 748 | Washer Ø6 | 2 |
| 37 | 82 01 591 442 | butee fin de course pedale accel | 1 |
| 38 | 77 11 159 647 | nut H M6 | 1 |

juil.-2015



RENAULT SPORT

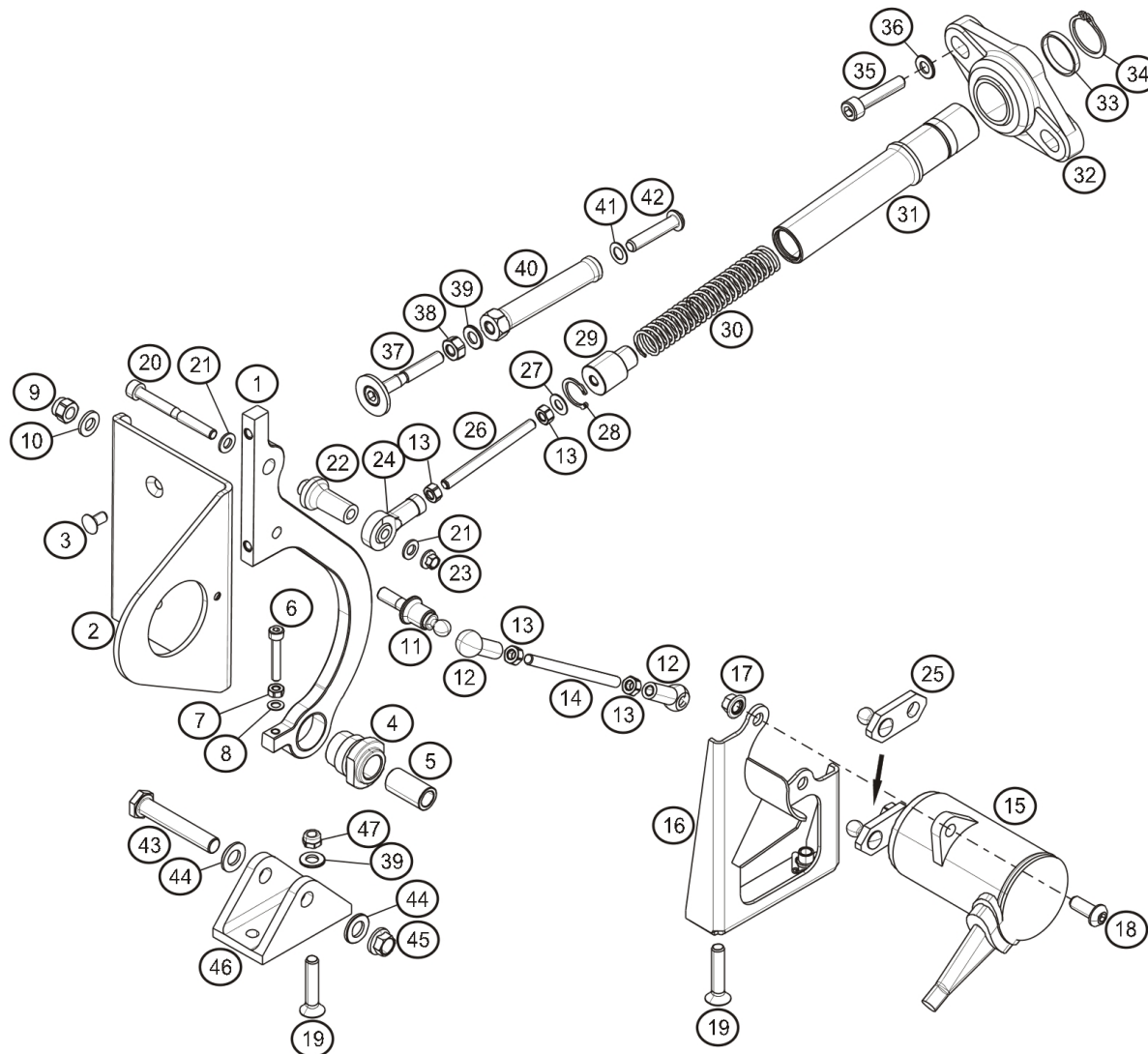
**37.00**



R.S.01

RENAULT SPORT **R.S.01**

37.00



| Rep. | Reference | Description | Coef |
|------|----------------------|---------------------------------|------|
| 39 | 82 01 588 605 | rondelle diametre 6 | 3 |
| 40 | 82 01 600 279 | Prolongateur pédale embray.40mm | 1 |
| 41 | 77 11 161 806 | Washer | 1 |
| 42 | 77 11 159 897 | VIS CB M6-30 | 1 |
| 43 | 77 11 158 287 | Screw | 1 |
| 44 | 77 11 159 474 | Washer Ø8 | 2 |
| 45 | 77 11 166 376 | UNF nut 5/16 | 1 |
| 46 | 82 01 591 439 | support pedale accellerateur | 1 |
| 47 | 77 11 159 295 | Locknut M6 | 2 |



juil.-2015



RENAULT SPORT

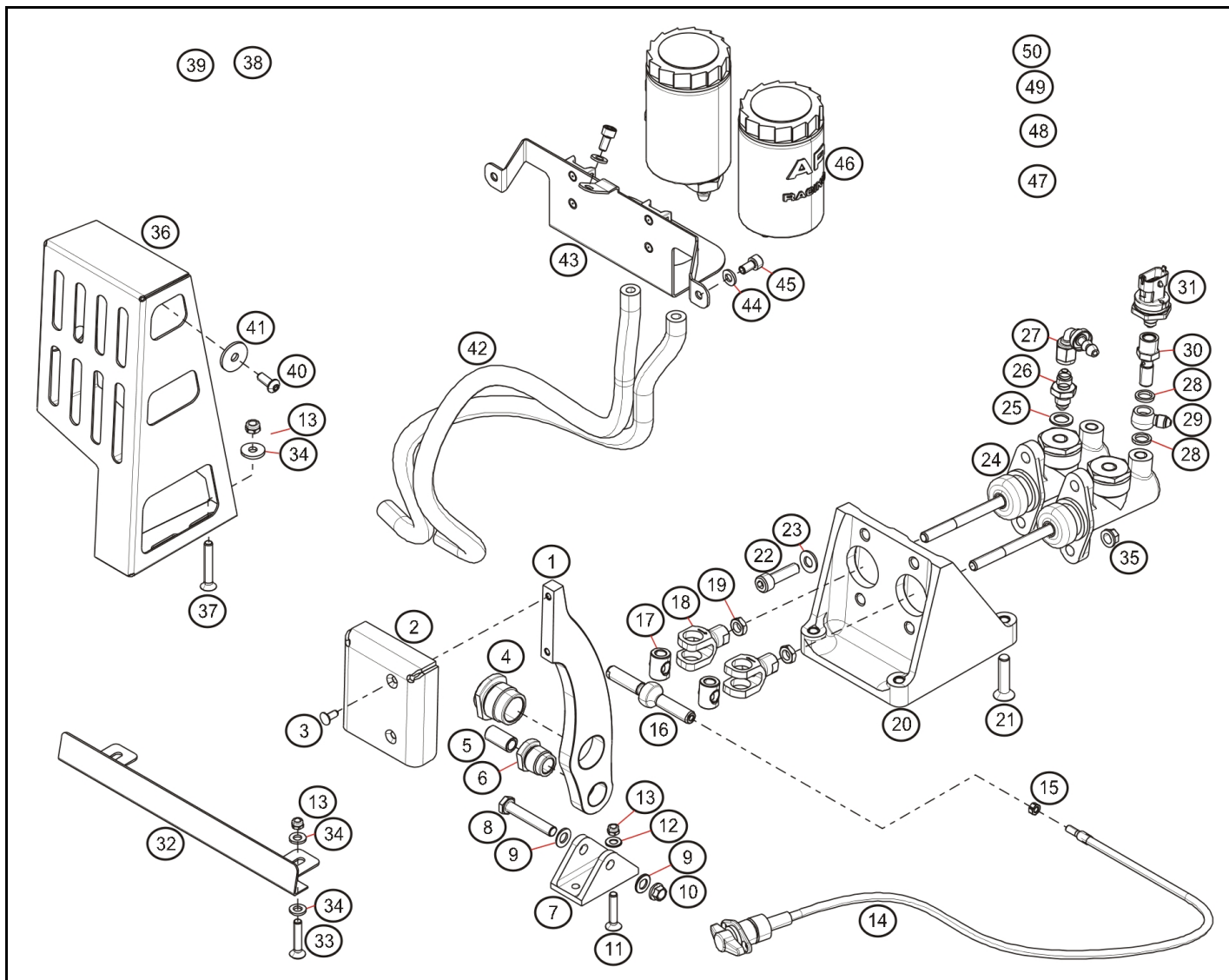
37.00



R.S.01

**RENAULT
SPORT R.S.01**

37.01



| Rep. | Reference | Description | Coef |
|------|-----------------|-----------------------------------|------|
| 1 | 82 01 600 267 | Brake pedal | 1 |
| 2 | 82 01 579 737 | patin pedale de frein | 1 |
| 3 | 77 11 159 340 | Screw F M5X12 | 2 |
| 4 | 82 01 600 268 | Bague épaulée pédale frein | 1 |
| 5 | 82 01 600 270 | bague bronze pedale de frein | 1 |
| 6 | 82 01 600 269 | axe inferieur pedale de frein | 1 |
| 7 | 82 01 604 351 | PEDALE DE FREIN | 1 |
| 9 | 77 11 159 474 | Washer Ø8 | 2 |
| 10 | 77 11 166 376 | UNF nut 5/16 | 1 |
| 12 | 82 01 588 605 | rondelle diametre 6 | 2 |
| 13 | 77 11 159 295 | Locknut M6 | 4 |
| 14 | 82 01 591 451 | cable de frein | 1 |
| 15 | 77 11 159 694 | Nut M5 | 1 |
| 16 | 77 11 165 194 | Axe repartition freinage | 1 |
| 17 | 77 11 159 685 | Shaft | 2 |
| 18 | 77 11 165 191 | Chape reglage pedale de frein | 2 |
| 19 | 77 11 159 635 | Nut | 2 |
| 20 | 82 01 591 449 | support de pompe | 1 |
| 21 | 77 11 159 481 | VIS FC M8-40 | 4 |
| 22 | 77 11 159 262 | CHS Bolt M8-30 | 4 |
| 23 | 77 11 159 267 | Washer Ø8 | 4 |
| 24 | ® 77 11 158 025 | Master Cylinder Rear Ø20.6 | 1 |
| 25 | 82 01 600 285 | Copper Washer | 2 |
| 26 | 77 11 165 197 | Raccord goodridge | 2 |
| 27 | 77 11 165 196 | Raccord goodridge | 2 |
| 28 | 77 11 159 962 | Copper washer | 4 |
| 29 | 77 11 165 329 | Raccord goodridge 776-03P | 2 |
| 30 | 77 11 159 719 | Support Capteur pression de frein | 2 |
| 31 | 82 01 586 514 | capteur pression frein avant | 1 |
| | 82 01 586 515 | capteur pression frein arriere | 1 |
| 32 | 82 01 591 441 | socle pedalier | 1 |
| 33 | 77 11 165 397 | CHS Bolt M5-15 | 2 |
| 34 | 77 11 159 748 | Washer Ø6 | 6 |
| 35 | 77 11 159 367 | Nut M8 | 4 |
| 36 | 82 01 586 643 | REPOSE-PIED (COTE GAUCHE) | 1 |
| 37 | 77 11 051 260 | CHS Bolt M6-30 cl:12.9 | 1 |
| 40 | 77 11 159 327 | VIS CB M6X16 | 2 |
| 41 | 77 11 159 532 | Washer Ø6 | 2 |
| 42 | 82 01 600 286 | durite inf.bocal maitre-cylindre | 2 |
| 43 | 82 01 591 446 | Support bocal frein | 1 |
| 44 | 77 11 159 261 | Washer Ø6 | 1 |
| 45 | 82 01 600 288 | CHS Bolt M6-12 cl:8.8 | 3 |

avr.-2015



RENAULT SPORT

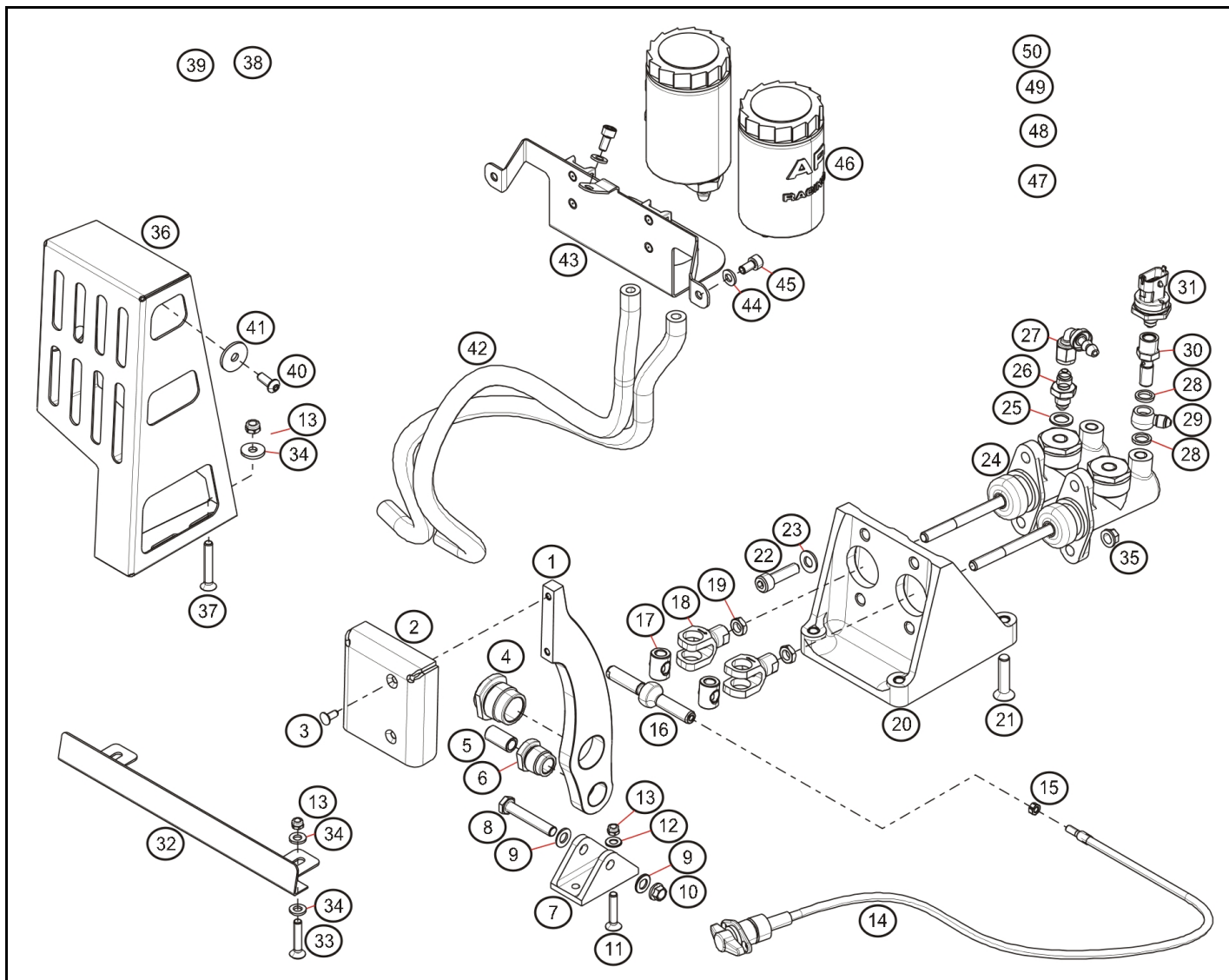
**37.01**



R.S.01

RENAULT SPORT R.S.01

37.01



| Rep. | Reference | Description | Coef |
|------|-----------------|-------------|------|
| 46 | ® 77 11 165 195 | Bocal frein | 2 |



avr.-2015



RENAULT SPORT

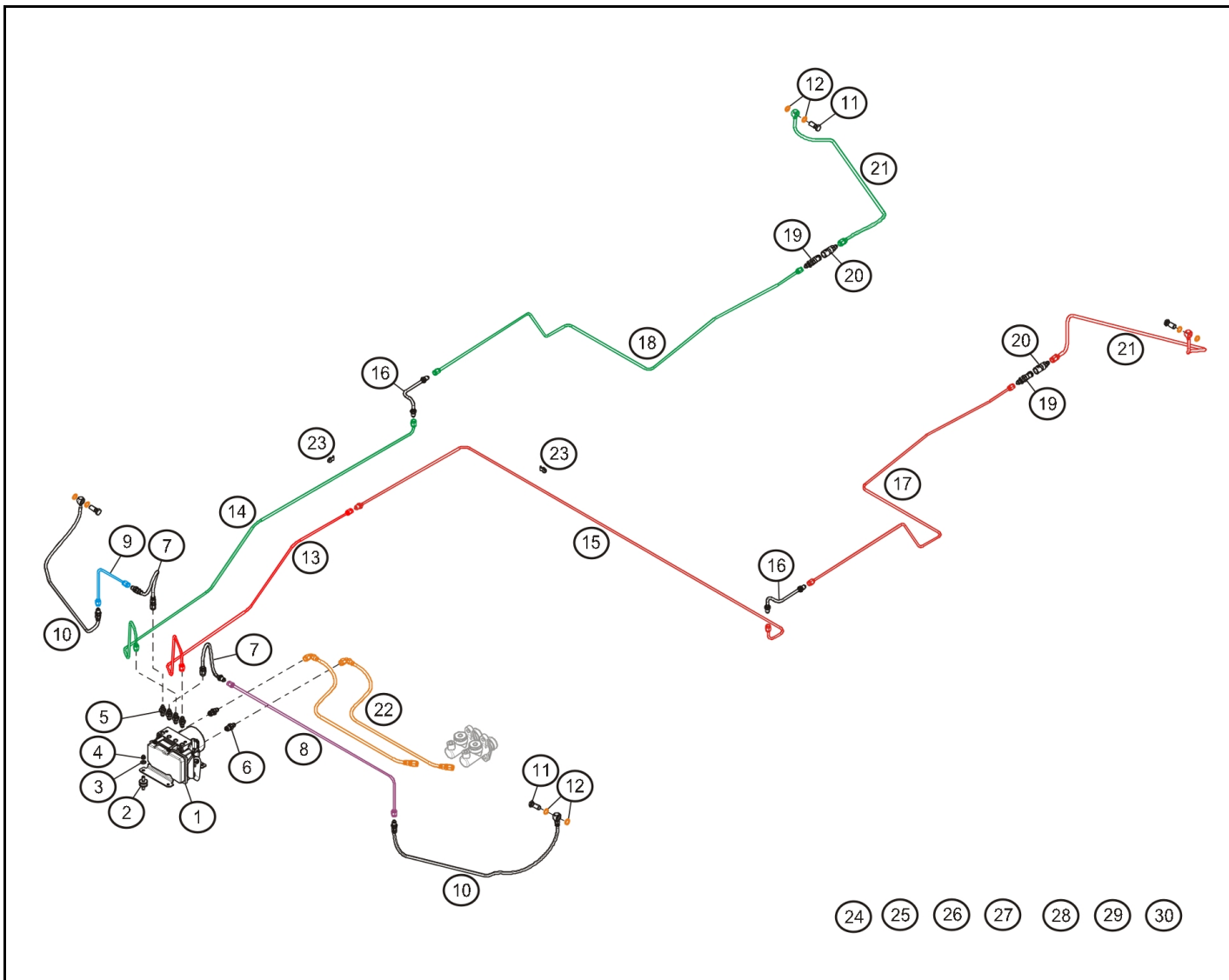
37.01



R.S.01

RENAULT SPORT **R.S.01**

37.80



| Rep. | Reference | Description | Coef |
|------|---------------|--------------------------------|------|
| 1 | 82 01 577 150 | kit boitiers freinage abs | 1 |
| 2 | 77 11 159 959 | Silenbloc | 4 |
| 3 | 77 11 159 261 | Washer Ø6 | 4 |
| 4 | 77 11 159 269 | UNF nut M6 | 4 |
| 5 | 82 01 600 242 | raccord adaptateur | 4 |
| 6 | 82 01 600 241 | raccord adaptateur | 2 |
| 7 | 82 01 601 715 | Flexible AV ABS | 2 |
| 8 | 82 01 601 708 | Tuyau Rigide frein AV | 1 |
| 9 | 82 01 601 716 | Tuyau Rigide frein AVD | 1 |
| 10 | 82 01 601 717 | Flexible de frein AVD | 1 |
| 12 | 77 11 159 962 | Copper washer | 8 |
| 13 | 82 01 601 710 | Tuyau Rigide frein G | 1 |
| 14 | 82 01 601 720 | Tuyau Rigide frein D | 1 |
| 15 | 82 01 601 709 | Tuyau Rigide frein G | 1 |
| 16 | 82 01 601 713 | Flexible de frein sortie coque | 2 |
| 17 | 82 01 601 714 | Tuyau Rigide frein ARG | 1 |
| 18 | 82 01 601 711 | Tuyau Rigide frein ARD | 1 |
| 19 | 77 11 161 817 | Male union dash3 | 2 |
| 20 | 77 11 161 816 | Raccord femelle dash3 | 2 |
| 21 | 82 01 601 712 | Flexible de frein ARD | 2 |
| 22 | 82 01 601 719 | Flexible frein MC / Bloc ABS | 2 |
| 23 | 82 01 599 699 | Collier Ty-Rap | 1 |

(24) (25) (26) (27) (28) (29) (30)



févr.-2015



RENAULT SPORT

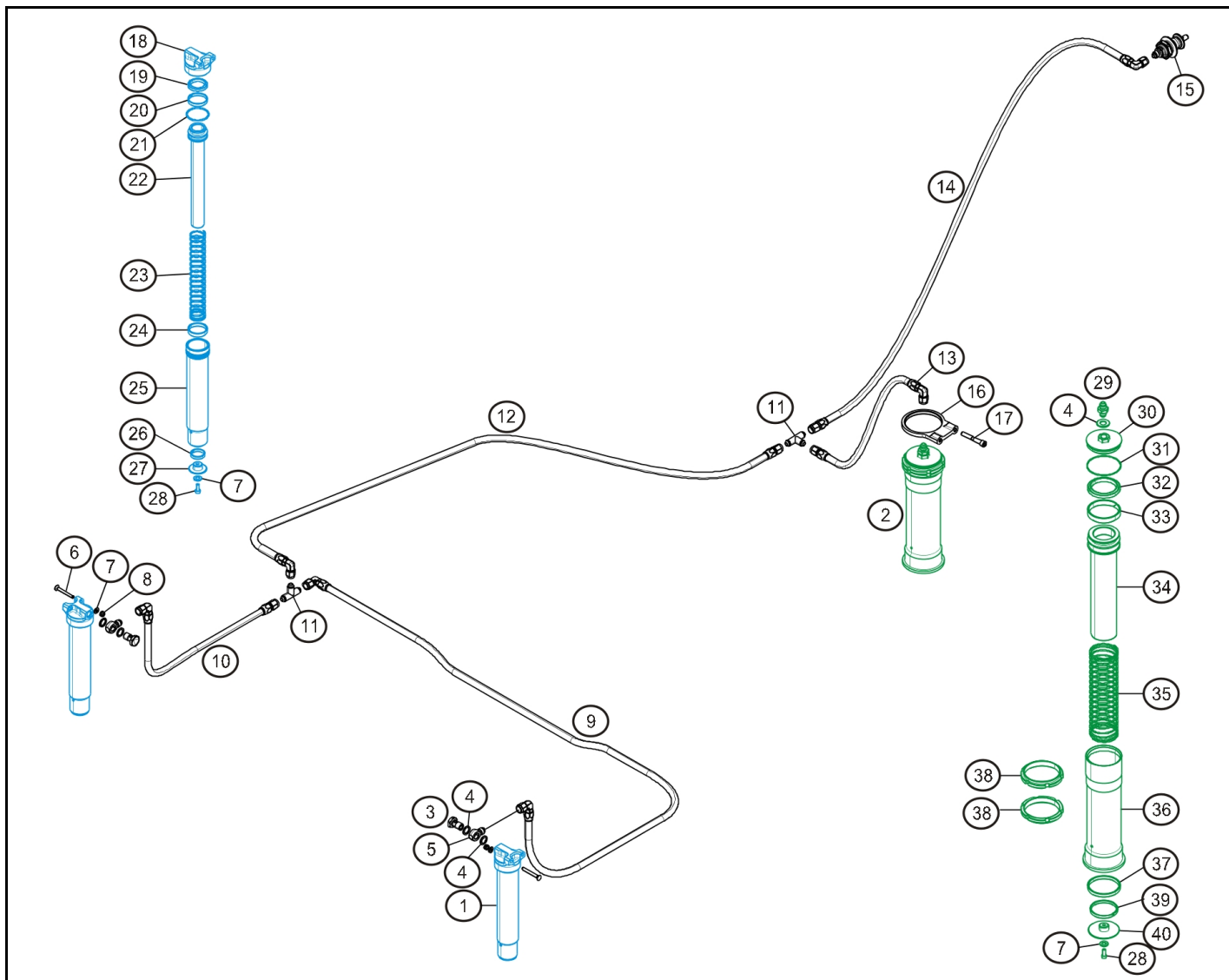
37.80



R.S.01

RENAULT SPORT R.S.01

39.00



| Rep. | Reference | Description | Coef |
|------|---------------|---------------------------------|------|
| 1 | 82 01 579 132 | Air-Jack AV | 2 |
| 2 | 82 01 579 133 | Air-Jack AR | 1 |
| 3 | 82 01 595 384 | Banjo bolt 775-06d | 2 |
| 4 | 77 11 050 940 | Copper washer Ø14x20 ép:1mm | 4 |
| 5 | 82 01 595 382 | raccord banjo 776-06d | 2 |
| 6 | 82 01 595 381 | Screw m6x50 cl.10/9 | 4 |
| 7 | 77 11 159 261 | Washer Ø6 | 4 |
| 8 | 77 11 159 295 | Locknut M6 | 4 |
| 9 | 82 01 595 376 | tuyau gauche air-jack | 1 |
| 10 | 82 01 595 375 | tuyau droit air-jack | 1 |
| 11 | 82 01 595 383 | Fitting 3 voies | 2 |
| 12 | 82 01 595 377 | Tuyau central Air-Jack | 1 |
| 13 | 82 01 595 378 | Tuyau Air-Jack AR | 1 |
| 14 | 82 01 595 379 | Tuyau Air-Jack / valve staubli | 1 |
| 15 | 82 01 579 134 | Raccord staubli | 1 |
| 16 | 82 01 579 137 | Bride mobile Air-Jack AR | 1 |
| 17 | 77 11 159 432 | CHS Bolt M8-55 | 2 |
| 18 | 82 01 595 385 | Couvercle Air-Jack AV | 2 |
| 19 | 82 01 595 393 | Seal | 2 |
| 20 | 82 01 595 386 | Joint superieur Air-Jack | 2 |
| 21 | 77 11 165 350 | O ring | 2 |
| 22 | 82 01 595 387 | Arbre Air-Jack AV | 2 |
| 23 | 82 01 595 388 | Ressort Air-Jack AV | 2 |
| 24 | 82 01 595 389 | Rondelle entretoise Air-Jack AV | 2 |
| 25 | 82 01 595 390 | corps air-jack avant | 2 |
| 26 | 82 01 595 391 | Joint inferieur Air-Jack AV | 2 |
| 27 | 82 01 595 392 | Pied Air-Jack AV | 2 |
| 28 | 82 01 595 394 | CHS Bolt M6-16 | 3 |
| 29 | 77 11 163 602 | Adaptator | 1 |
| 30 | 82 01 595 395 | Couvercle Air-Jack AR | 1 |
| 31 | 82 01 595 403 | Seal Ø70x2 | 1 |
| 32 | 82 01 595 404 | Seal | 1 |
| 33 | 82 01 595 396 | Coupelle superieure Air-Jack | 1 |
| 34 | 82 01 595 397 | Arbre Air-Jack AR | 1 |
| 35 | 82 01 595 398 | Ressort Air-Jack AR | 1 |
| 36 | 82 01 595 400 | Corps Air-Jack AR | 1 |
| 37 | 82 01 595 399 | Rondelle entretoise Air-Jack AR | 1 |
| 38 | 82 01 595 380 | Coupelle support Air-Jack AR | 2 |
| 39 | 82 01 595 401 | Joint inferieur Air-Jack AR | 1 |
| 40 | 82 01 595 402 | Pied Air-Jack AR | 1 |



avr.-2015



RENAULT SPORT

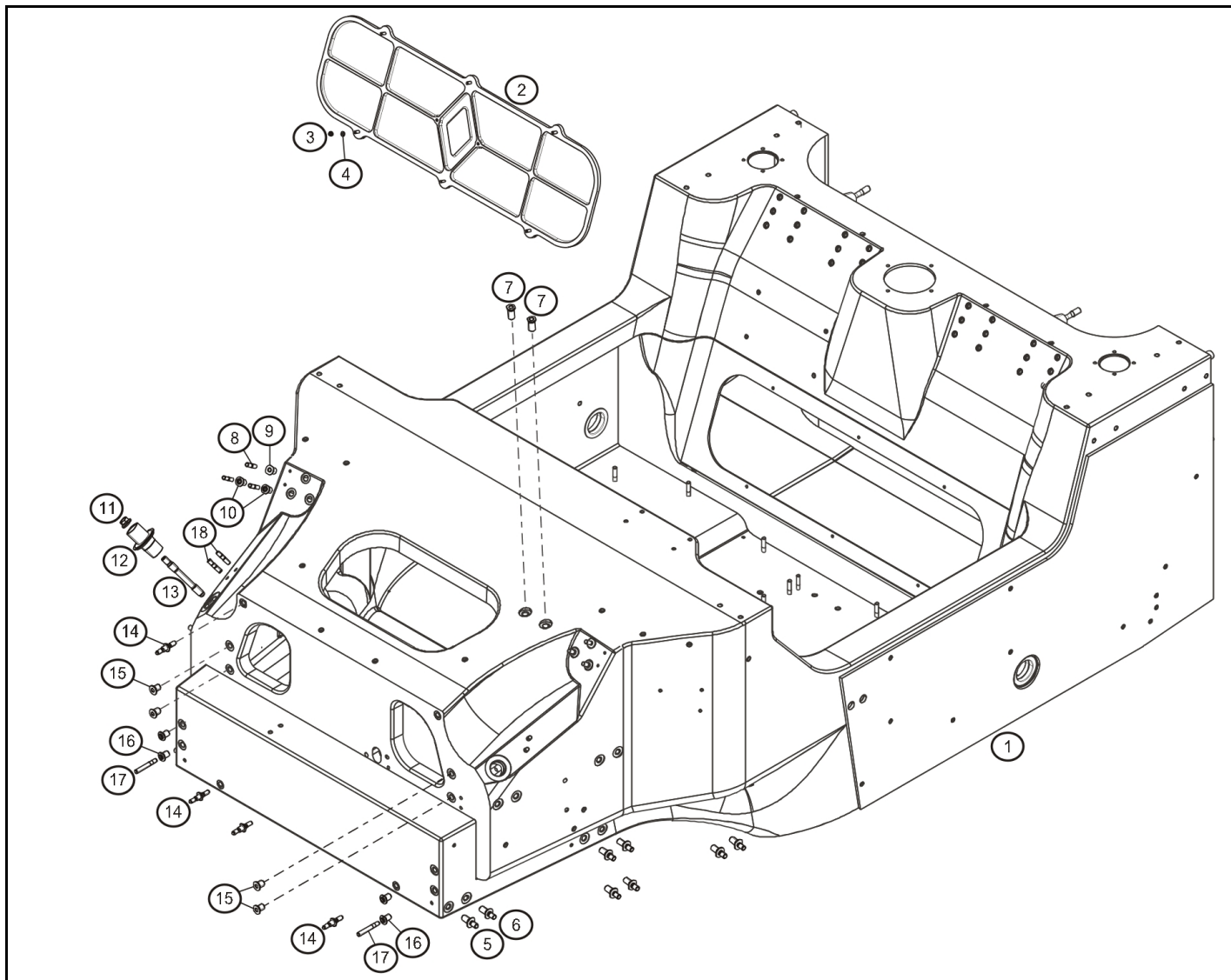
39.00



R.S.01

RENAULT SPORT **R.S.01**

40.00



| Rep. | Reference | Description | Coef |
|------|----------------------|---|------|
| 1 | 82 01 591 568 | chassis | 1 |
| 2 | 82 01 579 709 | Couvercle Cloison AR | 1 |
| 3 | 77 11 159 375 | Nut M5 | 6 |
| 4 | 77 11 159 263 | Washer Ø5 | 6 |
| 5 | 77 11 159 577 | Stud | 8 |
| 6 | 77 11 159 576 | Stud | 8 |
| 7 | 82 01 591 575 | entretoise soubassement | 2 |
| 8 | 82 01 591 578 | Stud 5/16 | 6 |
| 9 | 77 11 165 153 | Entretoise supérieur Goujon support amortisseur AV (Øint 5/16°) | 6 |
| 11 | 77 11 159 604 | Nut M14x100 | 2 |
| 12 | 77 11 159 605 | PIVOT BASCULEUR | 2 |
| 13 | 77 11 159 606 | AXE BASCULEUR | 2 |
| 14 | 82 01 591 577 | Stud m12 fixation nez avant | 4 |
| 15 | 77 11 165 154 | Entretoise inférieur Goujon support amortisseur AV (Øint 5/16° ext 1/2) | 6 |
| 16 | 77 11 159 643 | Bush | 4 |
| 17 | 82 01 591 580 | Stud | 2 |
| 18 | 77 11 165 164 | Goujon palier basculeur AV | 4 |



juil.-2015



RENAULT SPORT

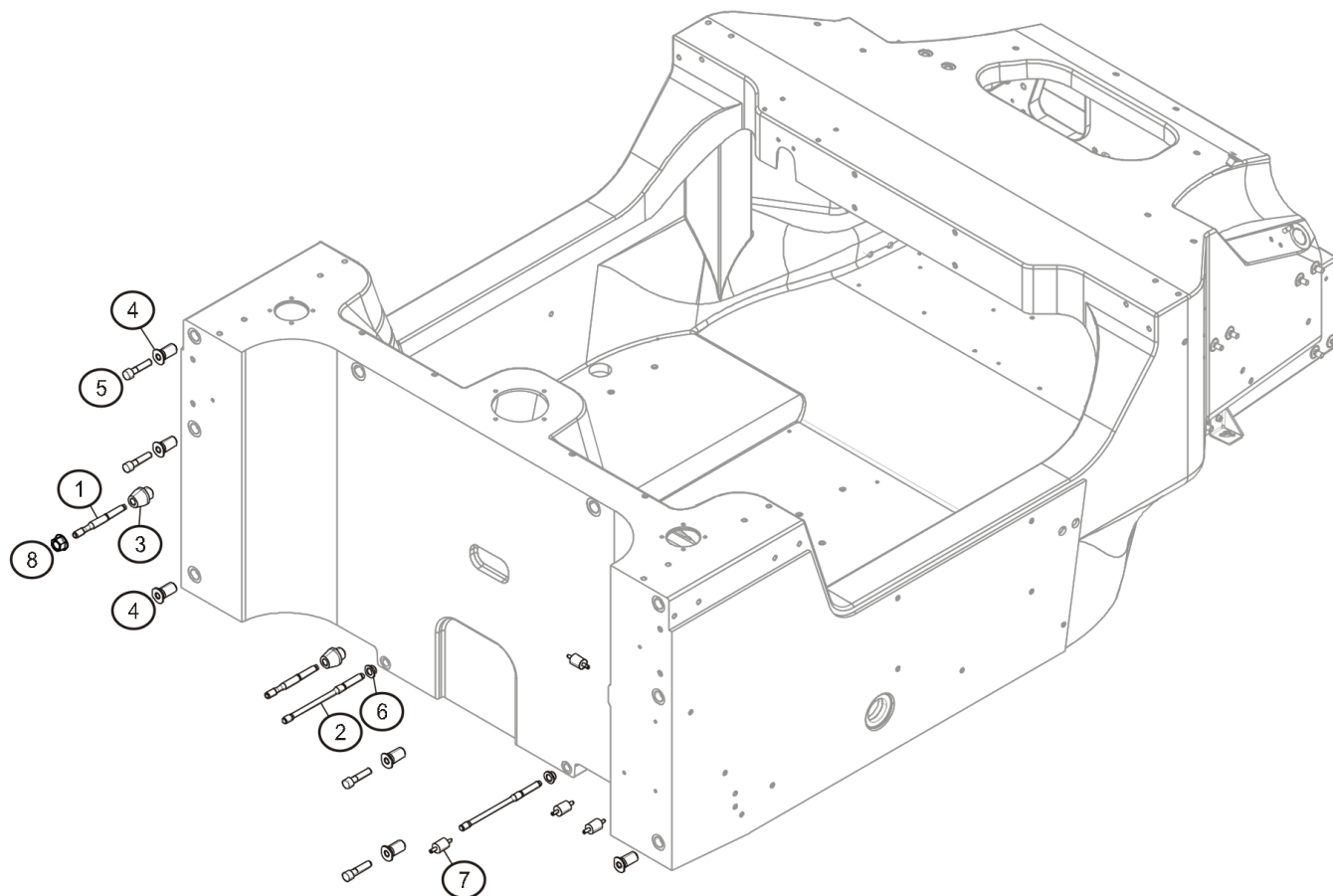
40.00



R.S.01

**RENAULT
SPORT R.S.01**

40.01



| Rep. | Reference | Description | Coef |
|------|---------------|--------------------------------|------|
| 1 | 82 01 591 572 | goujon fix.sup.support moteur | 2 |
| 2 | 77 11 165 401 | Goujon moteur supérieur D int. | 2 |
| 3 | 82 01 591 573 | entretoise sup.fix.sup.moteur | 2 |
| 4 | 82 01 591 574 | Spacer m12 inf.monocoque | 6 |
| 7 | 77 11 159 959 | Silenbloc | 4 |
| 8 | 77 11 159 367 | Nut M8 | 4 |



juil.-2015



RENAULT SPORT

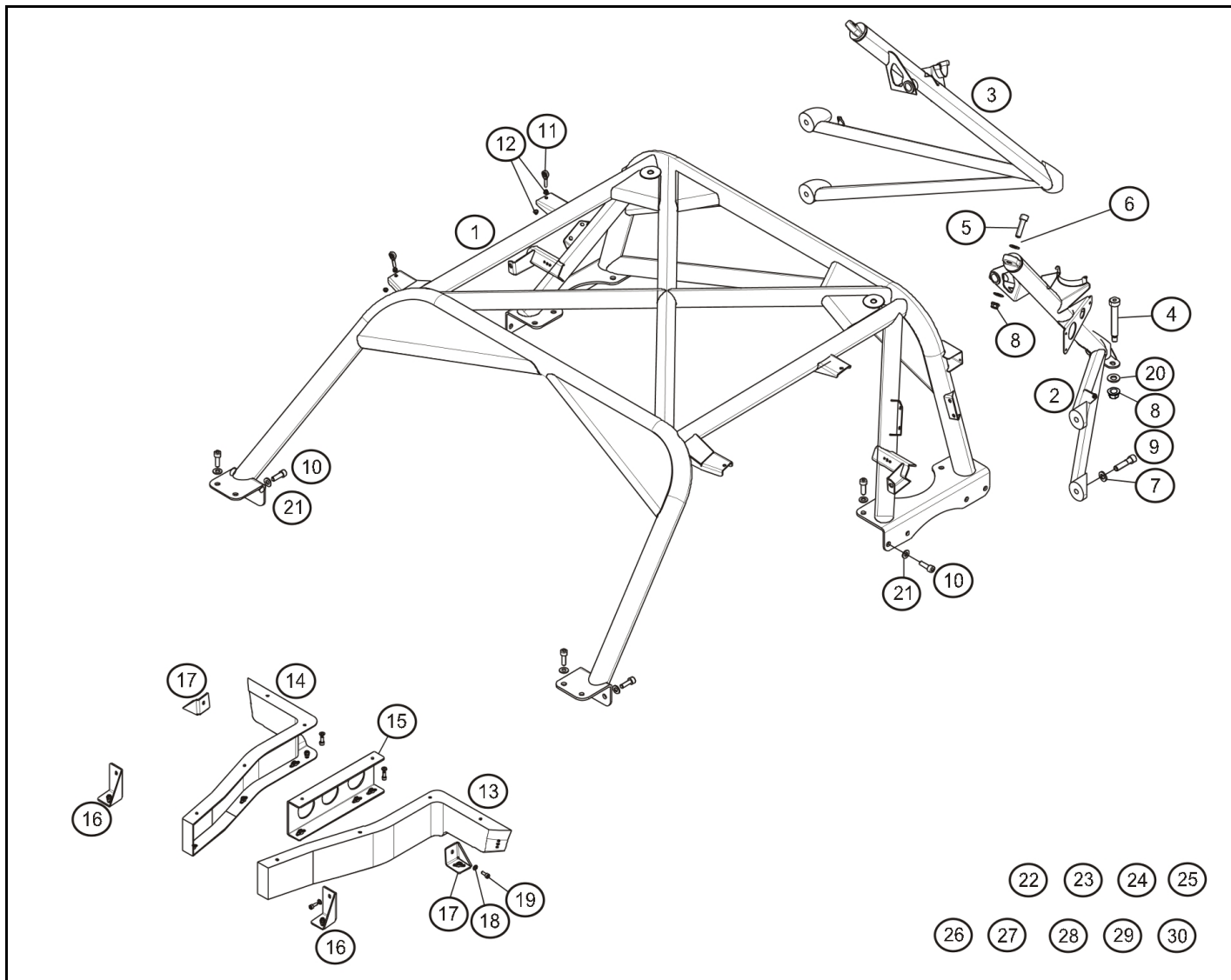
40.01



R.S.01

RENAULT SPORT R.S.01

40.10



| Rep. | Reference | Description | Coef |
|------|---------------|----------------------------------|------|
| 1 | 82 01 591 569 | arceau de securite | 1 |
| 2 | 82 01 591 571 | renfort arg.arceau | 1 |
| 3 | 82 01 591 570 | renfort ard.arceau | 1 |
| 4 | 82 01 591 582 | boulon arceau sur bache a huile | 2 |
| 5 | 82 01 591 581 | boulon arriere arceau securite | 2 |
| 6 | 77 11 159 662 | Washer 12 | 4 |
| 7 | 77 11 159 929 | Washer 12 | 4 |
| 8 | 77 11 159 603 | Locknut 12PH135M | 2 |
| 9 | 82 01 582 094 | CHS Bolt m12x50 cl.12/9 | 4 |
| 10 | 77 11 156 933 | CHS Bolt M10-30 cl.12.9 | 24 |
| 13 | 82 01 588 615 | support monocoque plancher g. | 1 |
| 14 | 82 01 588 616 | support monocoque plancher d. | 1 |
| 15 | 82 01 588 614 | sup.avd.fix.plancher central | 1 |
| 16 | 82 01 588 617 | support fixation plancher avant | 2 |
| 17 | 82 01 588 618 | support fixation plancher later. | 2 |
| 18 | 82 01 588 605 | rondelle diametre 6 | 16 |
| 19 | 77 11 158 344 | CHS Bolt M6-16 | 16 |
| 20 | 82 01 591 595 | rondelle acier diam=12 | 2 |
| 21 | 77 11 165 411 | Washer Ø10 | 24 |



avr.-2015



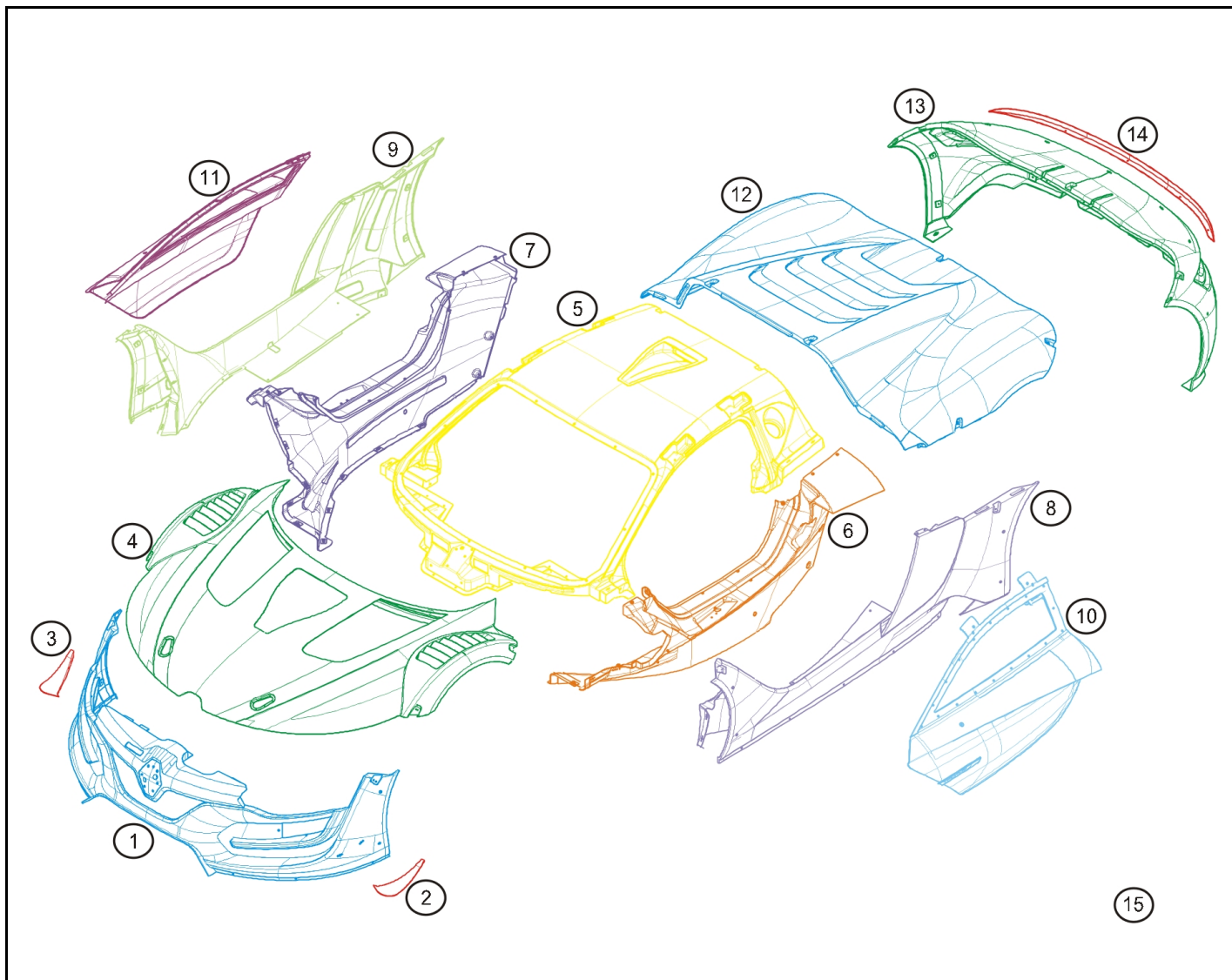
RENAULT SPORT



R.S.01

**RENAULT
SPORT R.S.01**

40.50



| Rep. | Reference | Description | Coef |
|------|---------------|-------------------------------|------|
| 1 | 82 01 582 093 | Front bumper | 1 |
| 2 | 82 01 583 636 | aillette avg bouclier avant | 1 |
| 3 | 82 01 583 637 | aillette avd bouclier avant | 1 |
| 4 | 82 01 582 099 | capot avant | 1 |
| 5 | 82 01 582 057 | cellule centrale | 1 |
| 6 | 82 01 591 600 | panneau interieur gauche | 1 |
| 7 | 82 01 591 599 | panneau interieur droit | 1 |
| 8 | 82 01 582 089 | panneau exterior gauche | 1 |
| 9 | 82 01 582 090 | panneau exterior droit | 1 |
| 10 | 82 01 582 064 | Door LH | 1 |
| 11 | 82 01 582 066 | porte droite | 1 |
| 12 | 82 01 582 095 | Engine cover | 1 |
| 13 | 82 01 582 100 | bouclier arriere | 1 |
| 14 | 82 01 583 638 | equerre sup. de pare-choc ar. | 1 |



avr.-2015



RENAULT SPORT

40.50

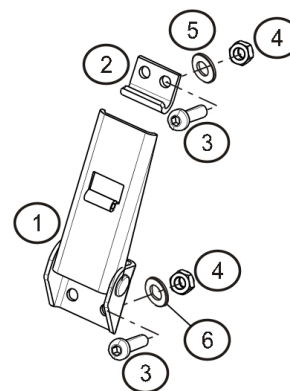
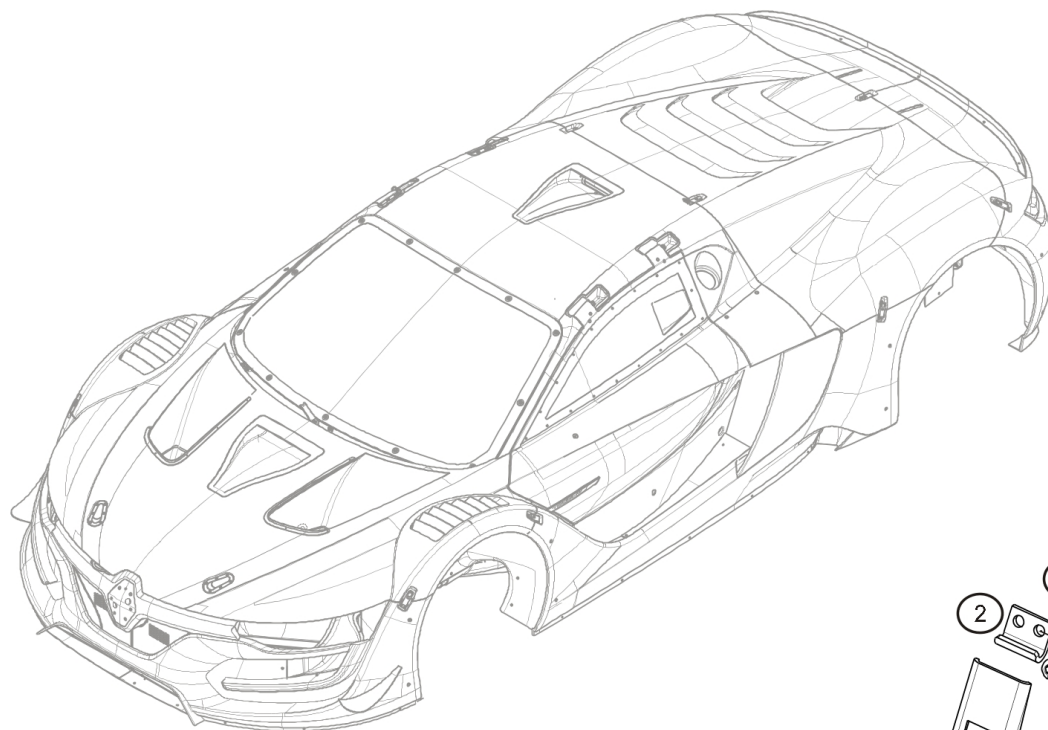


R.S.01

**RENAULT
SPORT R.S.01**

40.55

7 8 9 10 11 12 13 14 15



| Rep. | Reference | Description | Coef |
|------|----------------------|--------------------|------|
| 1 | 82 01 582 096 | verrou de securite | 11 |
| 2 | 82 01 598 470 | crochet | 11 |
| 3 | 77 11 159 364 | VIS CB M4X12 | 44 |
| 4 | 77 11 159 370 | Nut M4X0 | 44 |
| 5 | 77 11 158 357 | Plain washer Ø4 | 22 |
| 6 | 82 01 598 471 | Washer 4 | 22 |



RENAULT SPORT

avr.-2015



RENAULT

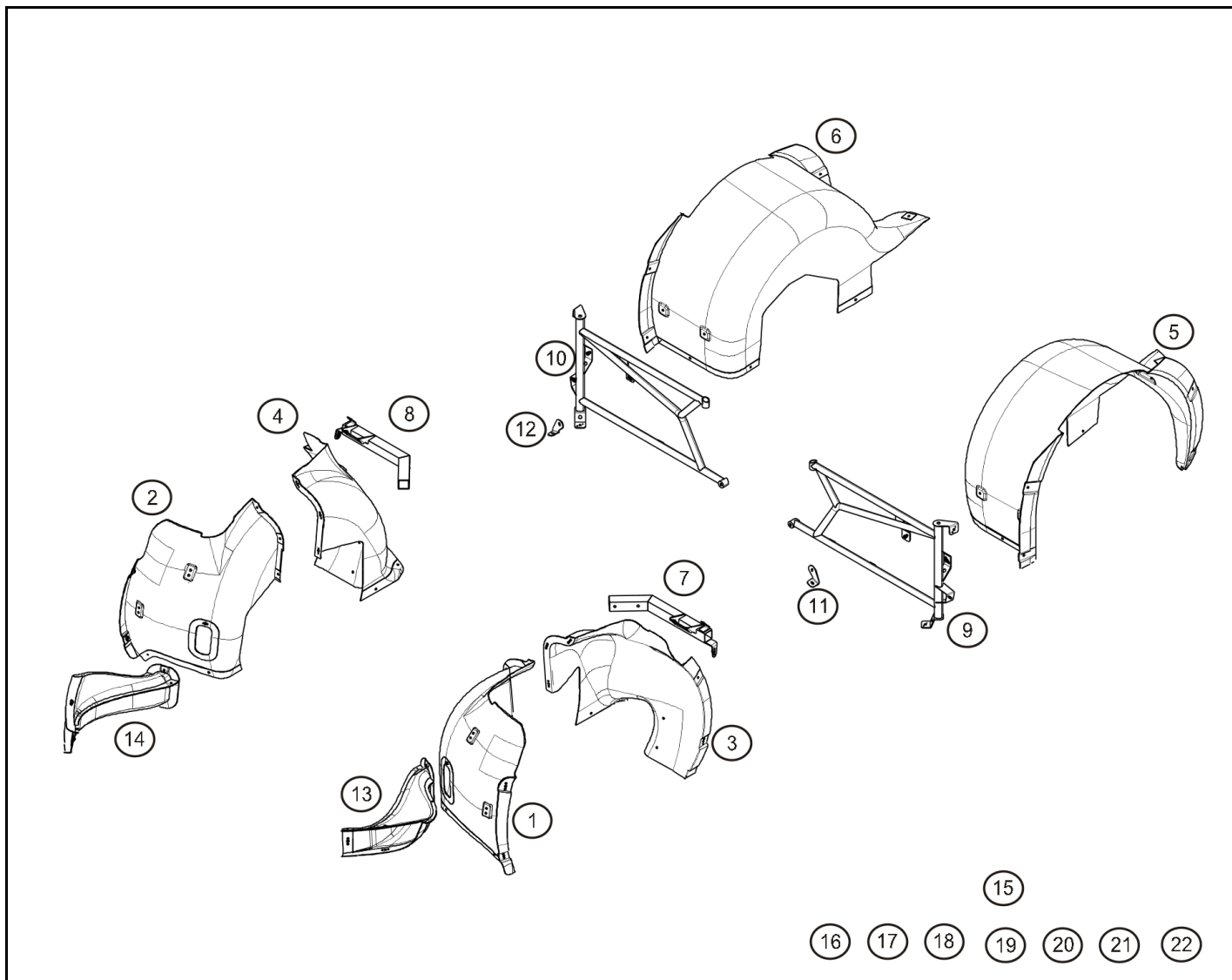
40.55



R.S.01

**RENAULT
SPORT R.S.01**

40.60



| Rep. | Reference | Description | Coef |
|------|---------------|---------------------------------|------|
| 1 | 82 01 582 085 | passage roue avg.(partie avant) | 1 |
| 2 | 82 01 582 086 | passage roue avd.(partie avant) | 1 |
| 3 | 82 01 582 087 | passage roue avg.(partie ar.) | 1 |
| 4 | 82 01 582 088 | passage roue avd.(partie ar.) | 1 |
| 5 | 82 01 583 654 | passage de roue ar. gauche | 1 |
| 6 | 82 01 583 655 | passage de roue ar. droit | 1 |
| 7 | 82 01 583 631 | treillis avant gauche | 1 |
| 8 | 82 01 583 630 | treillis avant droit | 1 |
| 9 | 82 01 582 080 | Support G | 1 |
| 10 | 82 01 582 079 | Support D | 1 |
| 11 | 82 01 601 270 | Support conduit air ARG | 1 |
| 12 | 82 01 601 271 | Support conduit air ARD | 1 |
| 13 | 82 01 583 634 | Conduit air frein AVG | 1 |
| 14 | 82 01 583 635 | Conduit air frein AVD | 1 |



févr.-2015



RENAULT SPORT

40.60

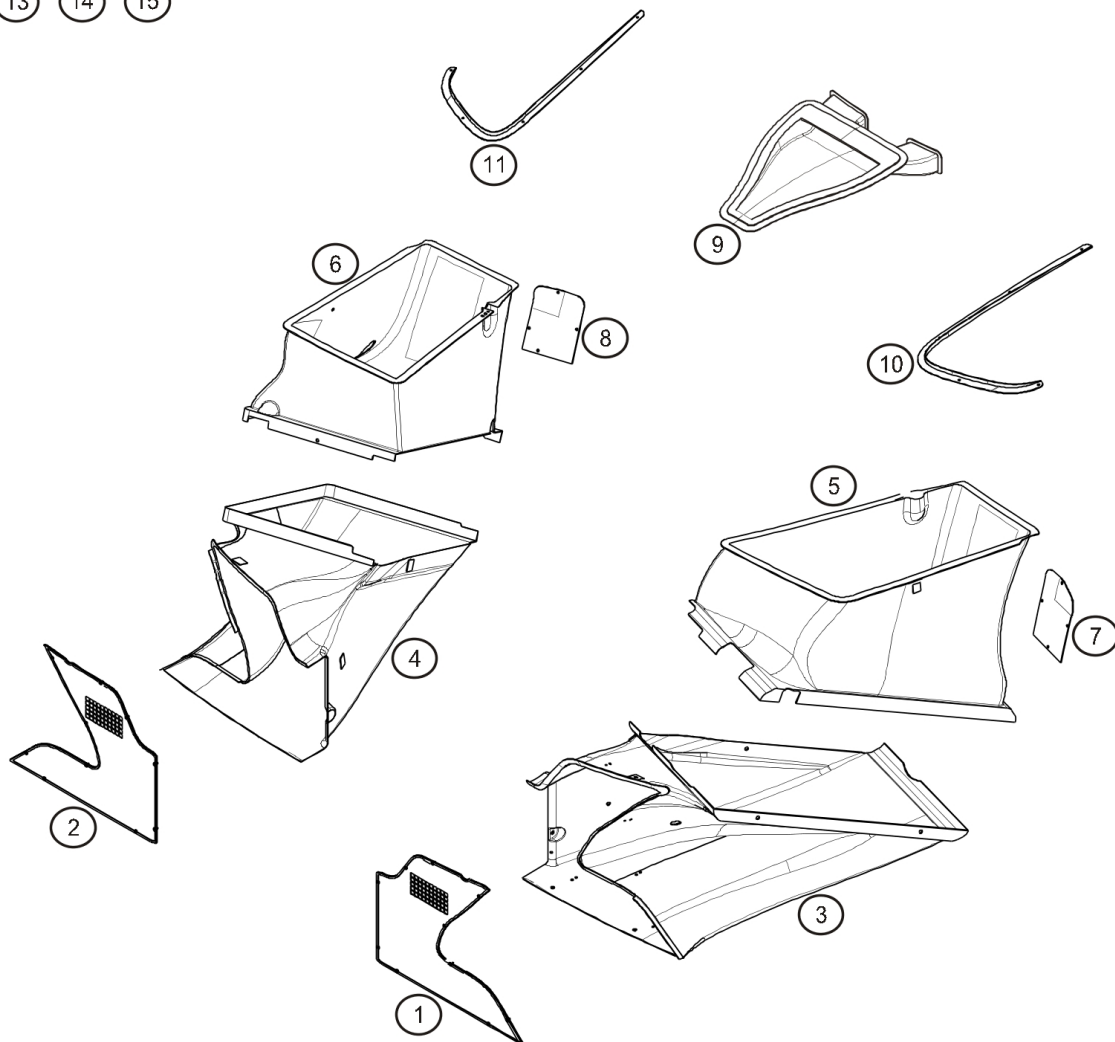


R.S.01

**RENAULT
SPORT R.S.01**

40.70

12 13 14 15



| Rep. | Reference | Description | Coef |
|------|----------------------|----------------------------------|------|
| 1 | 82 01 583 645 | protection avant radiateur eau | 1 |
| 2 | 82 01 583 646 | protection avant radiateur huile | 1 |
| 3 | 82 01 583 644 | entree air radiateur eau | 1 |
| 4 | 82 01 583 643 | entree air radiateur huile | 1 |
| 5 | 82 01 582 082 | sortie radiateur eau | 1 |
| 6 | 82 01 582 081 | sortie radiateur huile | 1 |
| 7 | 82 01 582 084 | conduit radiateur eau | 1 |
| 8 | 82 01 582 083 | conduit radiateur huile | 1 |
| 10 | 82 01 583 650 | equerre g. de capot avant | 1 |



févr.-2015



RENAULT SPORT

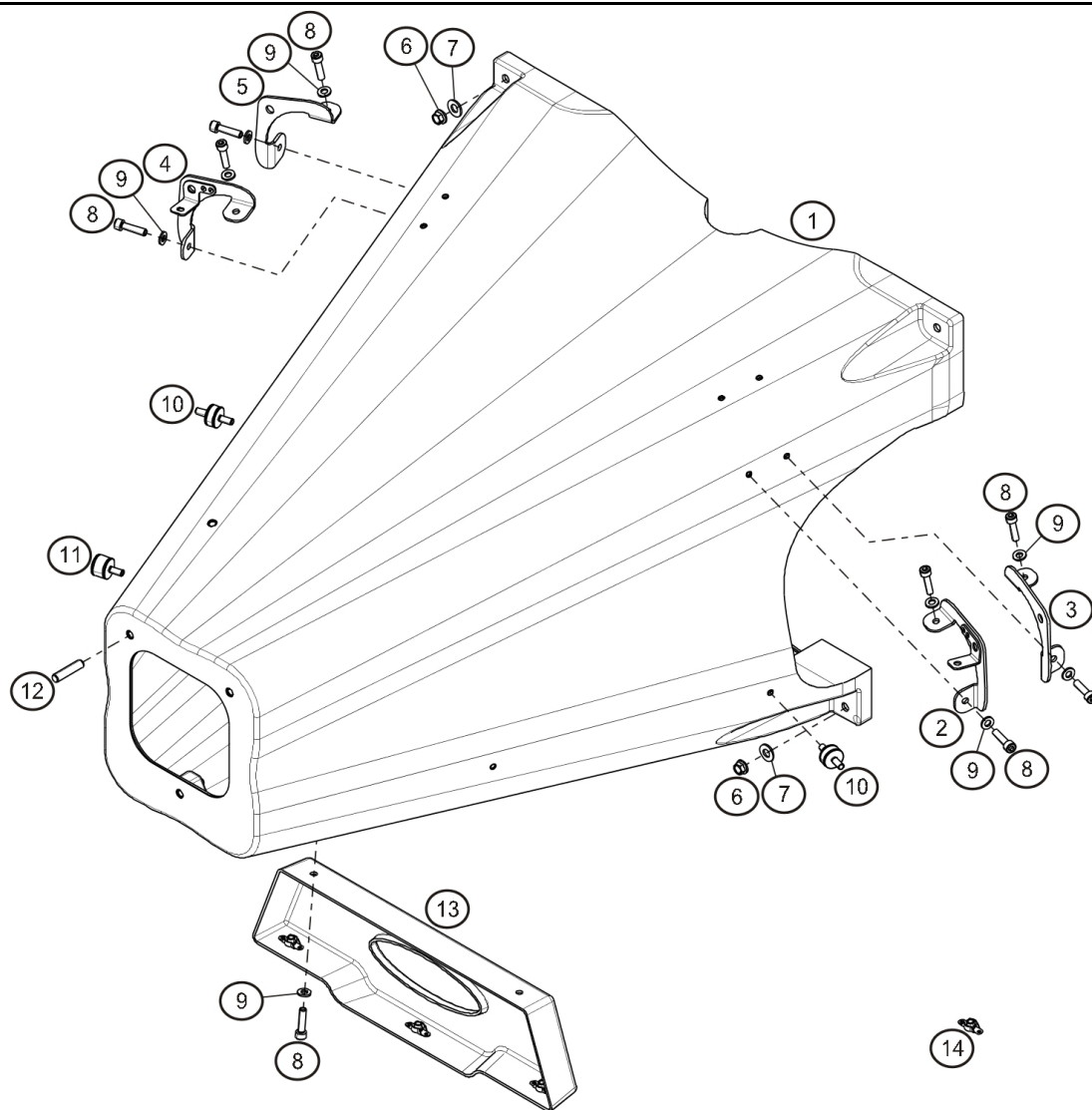
40.70



R.S.01

RENAULT
SPORT **R.S.01**

41.00



| Rep. | Reference | Description | Coef |
|------|---------------|---------------------------------|------|
| 1 | 82 01 586 564 | crash-box avant | 1 |
| 2 | 82 01 579 144 | conduit radiateur gauche | 1 |
| 3 | 82 01 582 097 | patte gauche maintien nez avant | 1 |
| 4 | 82 01 579 145 | conduit radiateur droit | 1 |
| 5 | 82 01 582 098 | patte droite maintien nez avant | 1 |
| 6 | 77 11 159 367 | Nut M8 | 4 |
| 7 | 77 11 159 267 | Washer Ø8 | 4 |
| 8 | 77 11 051 260 | CHS Bolt M6-30 cl:12.9 | 10 |
| 9 | 77 11 159 261 | Washer Ø6 | 10 |
| 10 | 77 11 159 959 | Silentbloc | 2 |
| 11 | 82 01 600 291 | Silentbloc m6 l=35mm | 1 |
| 12 | 77 11 159 642 | Stud | 3 |
| 13 | 82 01 586 567 | support crash-box avant | 1 |
| 14 | 77 11 165 318 | Ecrou à riveter M6 | 1 |



avr.-2015



RENAULT SPORT

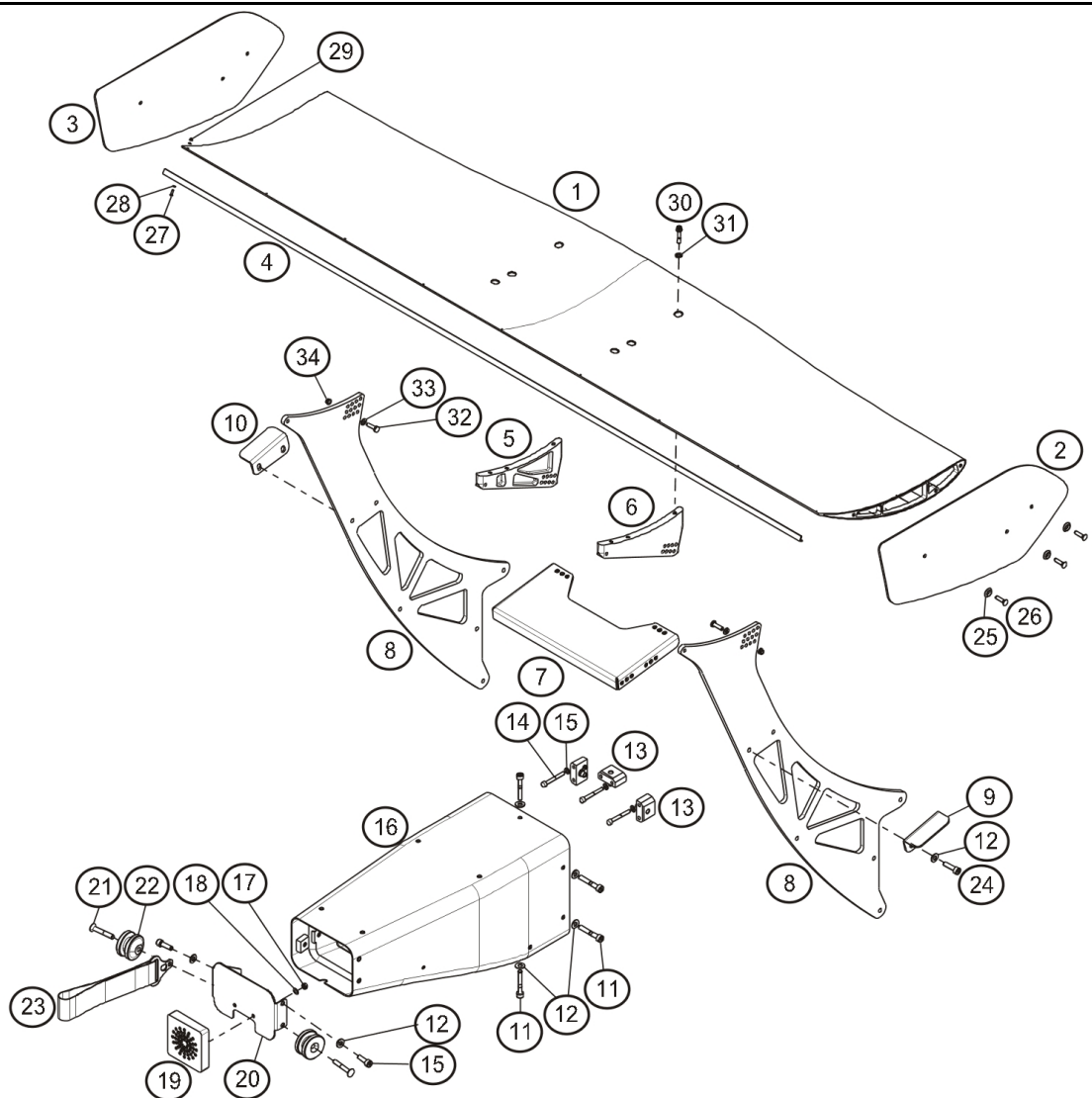
41.00



R.S.01

RENAULT SPORT **R.S.01**

41.50



| Rep. | Reference | Description | Coef |
|------|---------------|--------------------------------|------|
| 1 | 82 01 588 622 | aile arriere carbone | 1 |
| 4 | 82 01 588 626 | deflecteur aileron arriere | 1 |
| 7 | 82 01 588 625 | entretoise aile arriere | 1 |
| 8 | 82 01 588 621 | mat d'aileron arriere | 2 |
| 11 | 77 11 166 587 | CHS Bolt M8-50 cl:12.9 | 6 |
| 12 | 77 11 159 267 | Washer Ø8 | 16 |
| 13 | 82 01 588 629 | support fixation crashbox ar. | 3 |
| 14 | 82 01 588 609 | CHS Bolt m6x50 cl.12/9 | 6 |
| 15 | 82 01 588 630 | CHS Bolt m8x25 cl.8/8 | 2 |
| 16 | 82 01 588 619 | crashbox arriere | 1 |
| 17 | 77 11 159 647 | nut H M6 | 2 |
| 18 | 77 11 159 407 | Washer DIAM6 | 2 |
| 19 | 77 11 166 039 | Rain light | 1 |
| 20 | 82 01 588 628 | support feu de pluie | 1 |
| 21 | 82 01 591 453 | vis tête fraisee m8x50 cl.10/9 | 2 |
| 22 | 82 01 600 292 | bobine arriere levage | 2 |
| 23 | 82 01 588 627 | crochet de remorquage arriere | 1 |
| 24 | 77 11 159 262 | CHS Bolt M8-30 | 10 |
| 25 | 77 11 159 385 | Washer | 6 |
| 26 | 77 11 154 719 | FHS Bolt M6-20 | 1 |
| 27 | 82 01 601 260 | vis inox m3x10 | 9 |
| 28 | 82 01 583 697 | Washer Ø3 | 18 |
| 29 | 82 01 601 259 | Locknut m3x0 | 9 |
| 32 | 77 11 166 186 | NAS bolt 1304-15 | 1 |
| 33 | 77 11 165 155 | Washer AN960-416 | 2 |
| 34 | 77 11 166 375 | UNF nut 1/4 | 1 |



févr.-2015



RENAULT SPORT

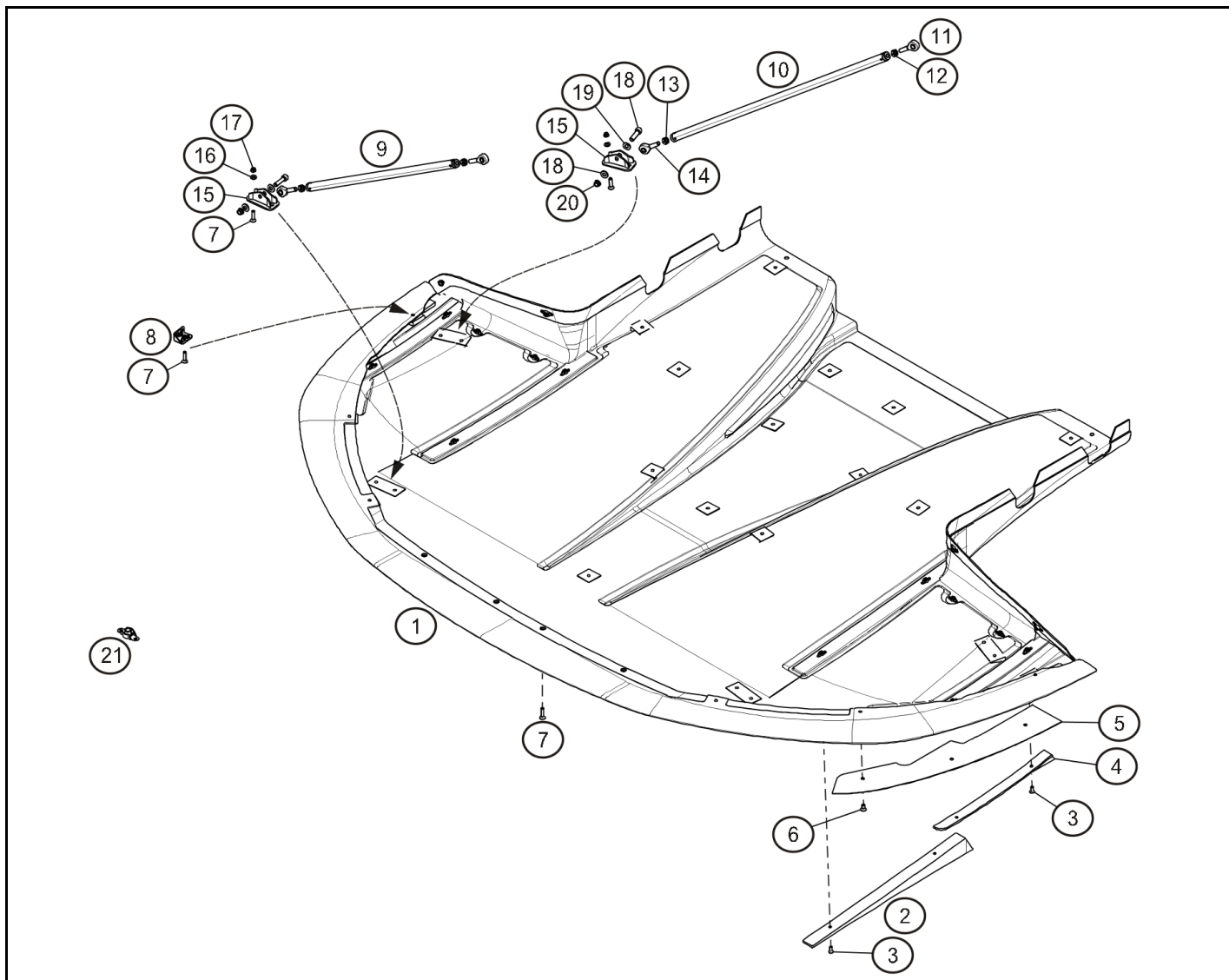
41.50



R.S.01

RENAULT SPORT **R.S.01**

42.00



| Rep. | Reference | Description | Coef |
|------|---------------|---------------------------------|------|
| 1 | 82 10 583 671 | splitter AV | 1 |
| 2 | 82 01 583 687 | Derive splitter int G | 1 |
| | 82 01 583 688 | Derive splitter int D | 1 |
| 3 | 77 11 165 419 | FHS Bolt M5-14 cl:10.9 | 18 |
| 4 | 82 01 583 686 | Dérive splitter ext G | 1 |
| | 82 01 583 685 | Dérive splitter ext D | 1 |
| 5 | 82 01 583 683 | Patin spliter G | 1 |
| | 82 01 583 684 | Patin spliter D | 1 |
| 7 | 77 11 154 719 | FHS Bolt M6-20 | 1 |
| 8 | 82 01 583 694 | equerre de fix.plancher lateral | 6 |
| 9 | 82 01 600 300 | tirant avant tirant splitter | 2 |
| 10 | 82 01 600 299 | tube arriere tirant splitter | 2 |
| 11 | 82 01 601 256 | Rod end bearing-UNIBAL smg8 | 4 |
| 12 | 77 11 159 816 | Nut M8 | 4 |
| 13 | 82 01 601 258 | Nut m8 uni5588 (pas a gauche) | 4 |
| 14 | 82 01 601 257 | Rod end bearing-UNIBAL smg18 | 4 |
| 15 | 82 01 586 588 | support fixation tirant | 4 |
| 16 | 77 11 161 806 | Washer | 8 |
| 17 | 77 11 159 269 | UNF nut M6 | 8 |
| 18 | 77 11 159 262 | CHS Bolt M8-30 | 8 |
| 19 | 77 11 159 267 | Washer Ø8 | 8 |
| 20 | 77 11 159 367 | Nut M8 | 8 |
| 21 | 77 11 165 318 | Ecrou à riveter M6 | 1 |



juil.-2015



RENAULT SPORT

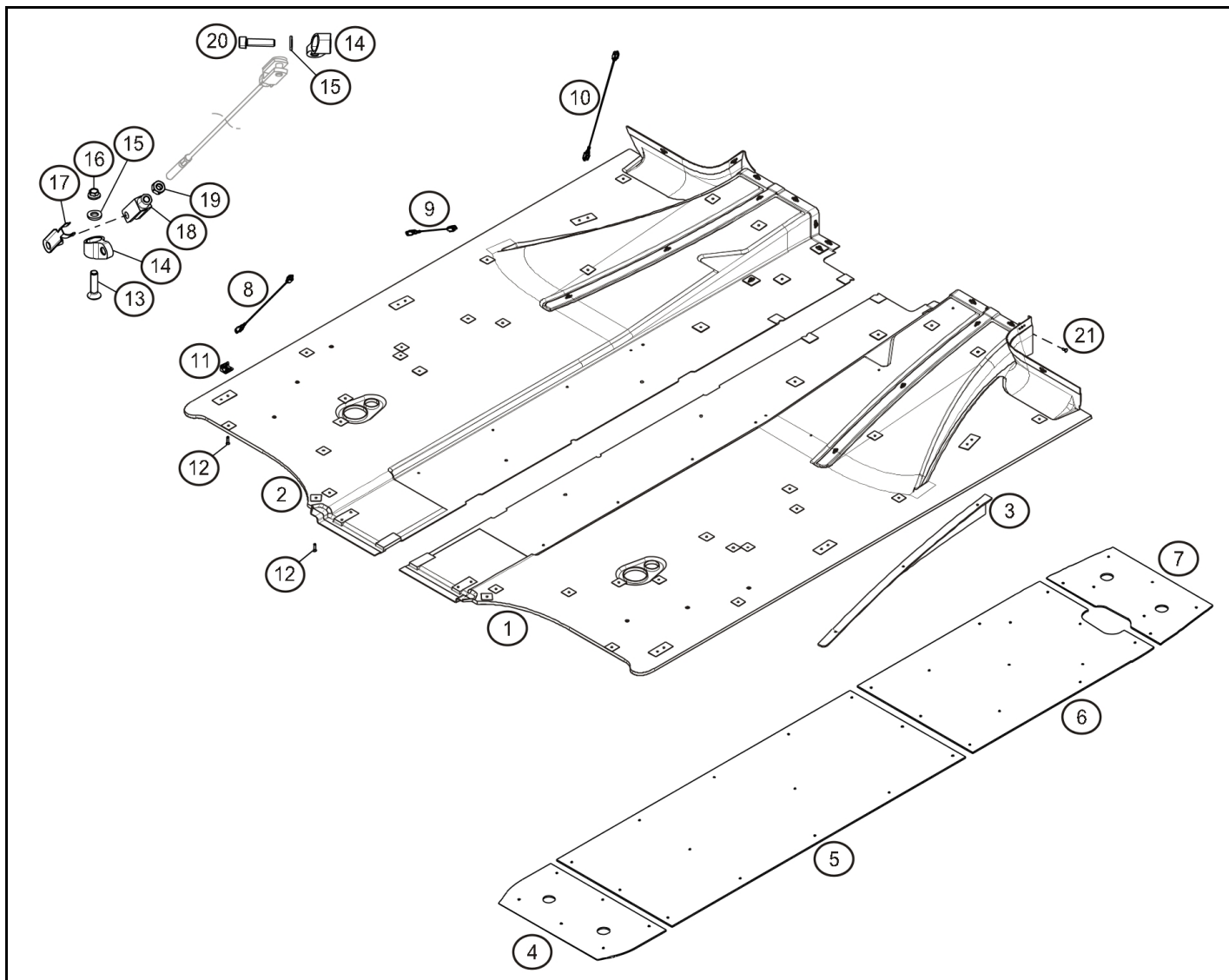
42.00



R.S.01

RENAULT SPORT R.S.01

42.10



| Rep. | Reference | Description | Coef |
|------|---------------|----------------------------------|------|
| | 77 11 159 321 | BOITE A AIR | 1 |
| 1 | 82 01 583 673 | plancher laterale gauche | 1 |
| 2 | 82 01 583 674 | plancher laterale droit | 1 |
| 3 | 82 01 583 692 | deflecteur plancher laterale g. | 1 |
| 4 | 82 01 583 678 | extension fond plat avant | 1 |
| 5 | 82 01 583 679 | fond plat central partie avant | 1 |
| 6 | 82 01 583 680 | fond plat central partie arriere | 1 |
| 7 | 82 01 583 682 | extension fond plat central ar. | 1 |
| 8 | 82 01 600 296 | tirant avant plancher laterale | 1 |
| 9 | 82 01 600 295 | tirant central plancher laterale | 1 |
| 10 | 82 01 600 293 | tirant plancher laterale gauche | 1 |
| 11 | 82 01 583 694 | equerre de fix.plancher lateral | 1 |
| 13 | 77 11 154 719 | FHS Bolt M6-20 | 1 |
| 14 | 77 11 165 093 | support Tirant plancher | 8 |
| 15 | 77 11 159 261 | Washer Ø6 | 1 |
| 16 | 77 11 159 269 | UNF nut M6 | 1 |
| 18 | 77 11 165 320 | Chappe M6 longue | 2 |
| 20 | 77 11 158 344 | CHS Bolt M6-16 | |



juil.-2015



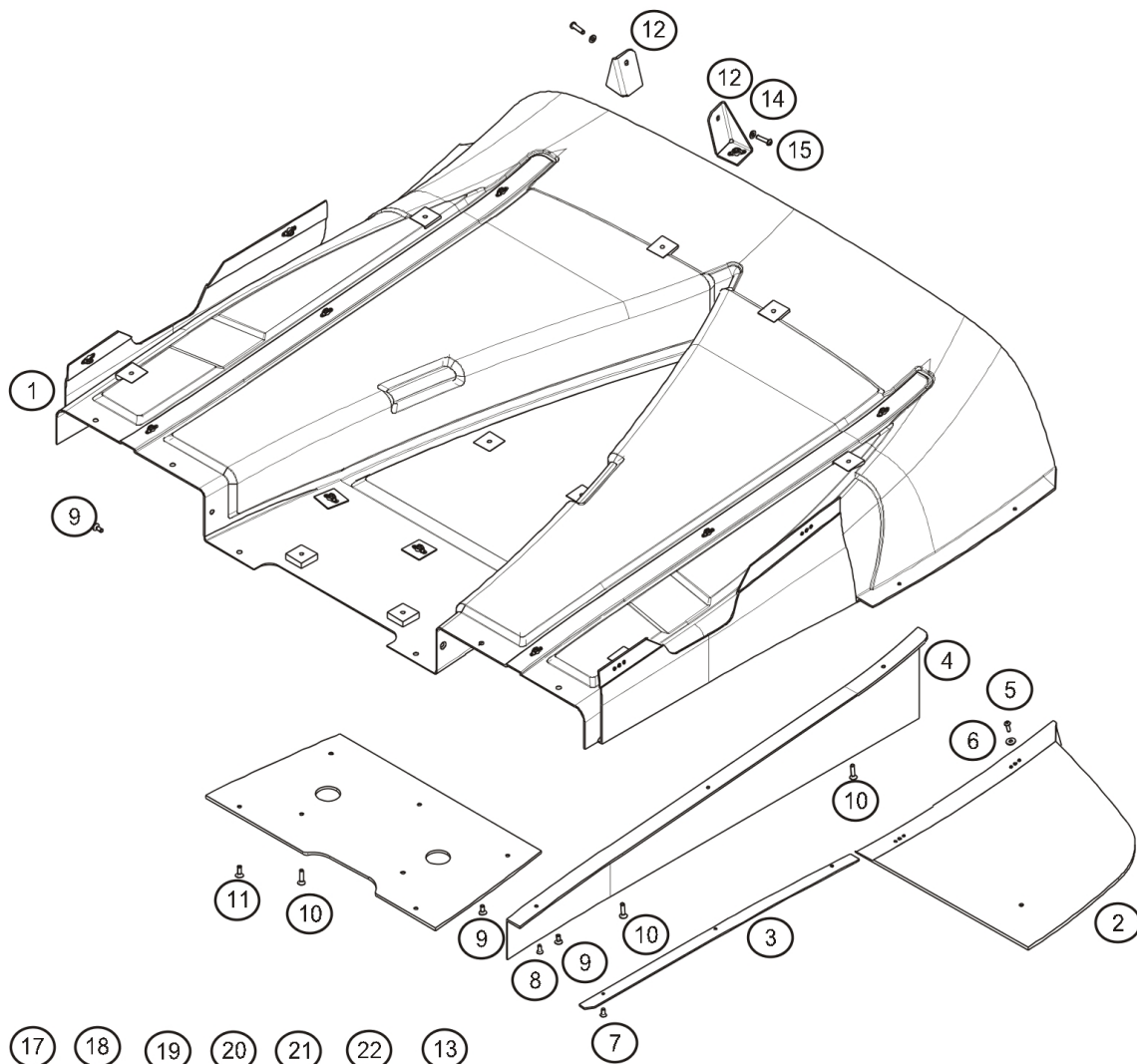
RENAULT SPORT



R.S.01

RENAULT
SPORT **R.S.01**

42.20



| Rep. | Reference | Description | Coef |
|------|---------------|---------------------------------|------|
| 1 | 82 01 583 672 | plancher arriere | 1 |
| 2 | 82 01 583 677 | extension gauche plancher ar. | 1 |
| 3 | 82 01 583 695 | lame inf.passage de roue arg. | 1 |
| 4 | 82 01 583 690 | diffuseur gauche plancher ar. | 1 |
| 5 | 77 11 159 327 | VIS CB M6X16 | 1 |
| 6 | 77 11 165 427 | Washer Ø5 | 1 |
| 7 | 77 11 159 340 | Screw F M5X12 | 1 |
| 8 | 77 11 165 419 | FHS Bolt M5-14 cl:10.9 | 1 |
| 9 | 77 11 165 130 | FHS Bolt M6-14 cl:10.9 | 2 |
| 10 | 77 11 154 719 | FHS Bolt M6-20 | 1 |
| 11 | 77 11 165 199 | FHS Bolt M6-18 cl 10.9 | 2 |
| 12 | 82 01 586 587 | equerre de fix.plancher arriere | 1 |
| 14 | 77 11 159 261 | Washer Ø6 | 1 |
| 15 | 77 11 159 278 | VIS FC M6X25 | 1 |
| 16 | 82 01 583 682 | extension fond plat central ar. | 1 |



févr.-2015



RENAULT SPORT

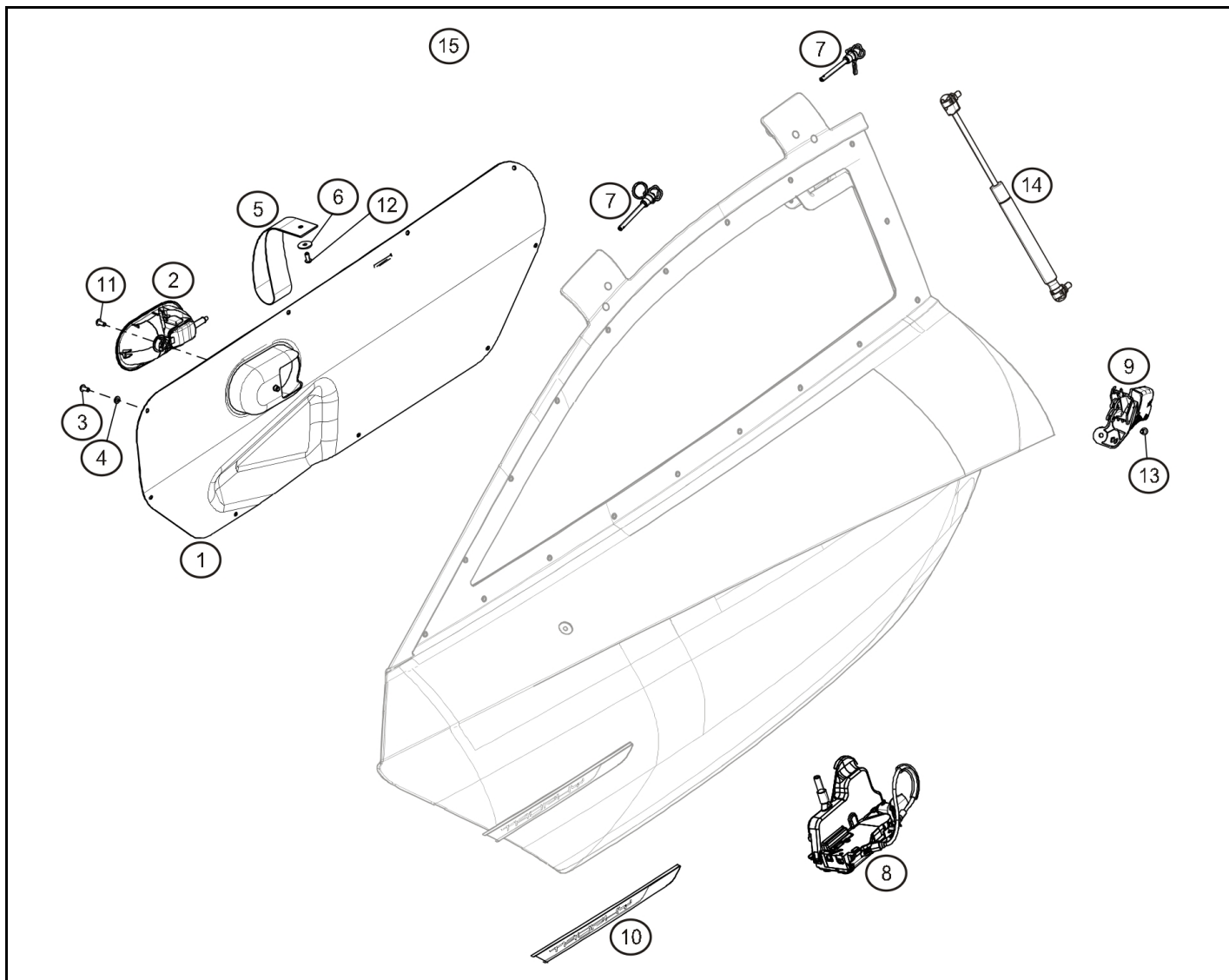
42.20



R.S.01

RENAULT SPORT **R.S.01**

50.00



| Rep. | Reference | Description | Coef |
|------|---------------|-------------------------------|------|
| 1 | 82 01 601 278 | PANNEAU DE PORTE GAUCHE INT. | 1 |
| 2 | 82 00 843 631 | Poignée de porte intérieure G | 1 |
| 3 | 77 11 159 338 | VIS CB M5X12 | 18 |
| 4 | 77 11 159 263 | Washer Ø5 | 18 |
| 5 | 77 11 167 297 | Sangle de porte Sabelt | 2 |
| 6 | 77 11 166 688 | Conical washer Ø 5.2 | 2 |
| 7 | 82 01 601 692 | Quick release pin DIAM=6MM | 4 |
| 9 | 82 00 385 181 | Poignée de porte extérieure G | 1 |
| 11 | 77 11 065 307 | Vis CBHC M6-30 | 2 |
| 13 | 77 03 006 360 | Vis CBLx épaulée M6-20.4 | 2 |



févr.-2015



RENAULT SPORT

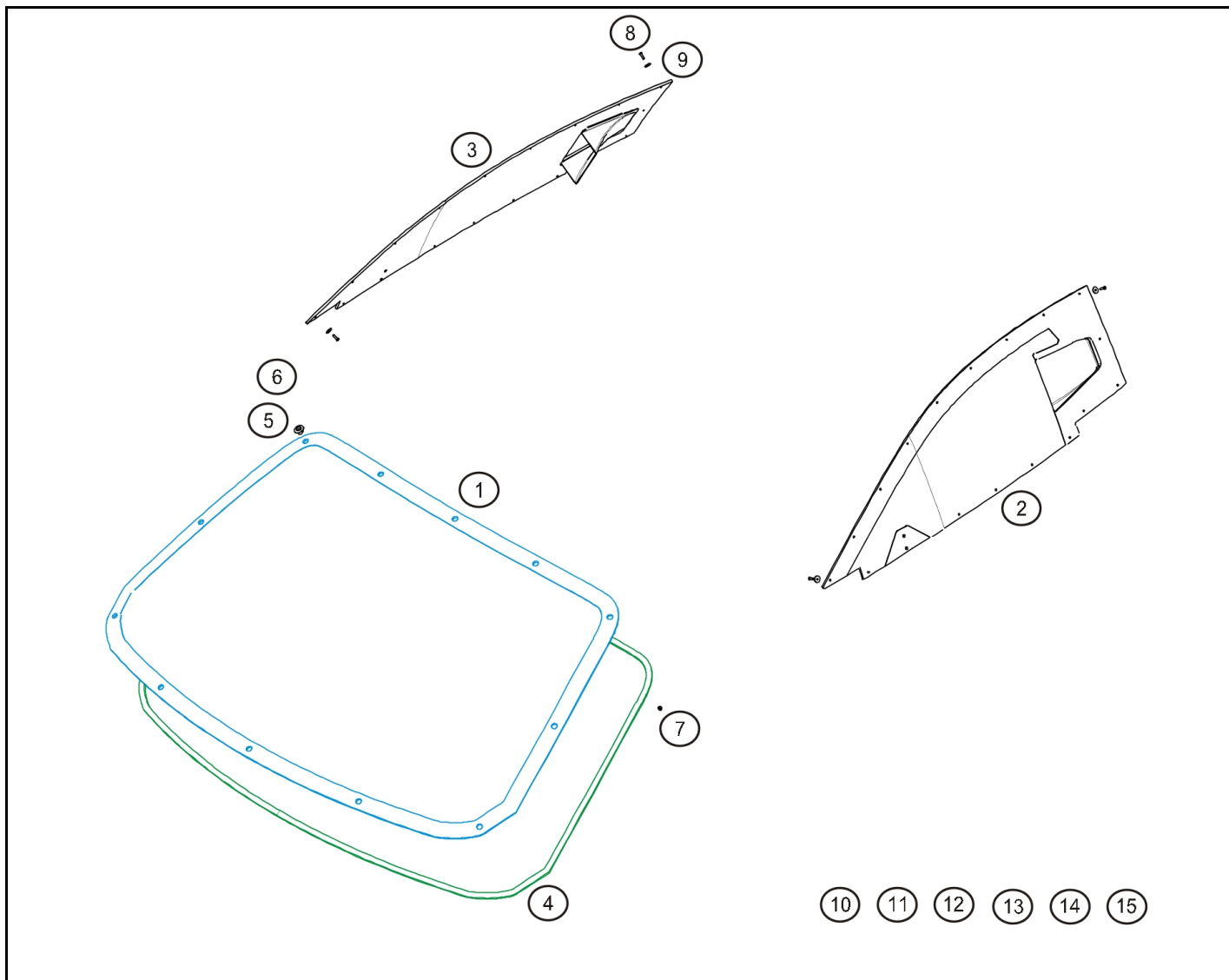
50.00



R.S.01

RENAULT
SPORT **R.S.01**

54.00



| Rep. | Reference | Description | Coef |
|------|----------------------|----------------------------|------|
| | 77 11 159 323 | EXTRACTEUR PONTON DROIT | 1 |
| 1 | 82 01 576 908 | pare brise rs-01 | 1 |
| 2 | 82 01 582 075 | vitre de porte gauche | 1 |
| 3 | 82 01 582 076 | vitre de porte droite | 1 |
| 5 | 82 01 576 907 | entretoise pare-brise | 1 |
| 8 | 77 11 159 369 | VIS CB M4X15 | 1 |



févr.-2015



RENAULT SPORT

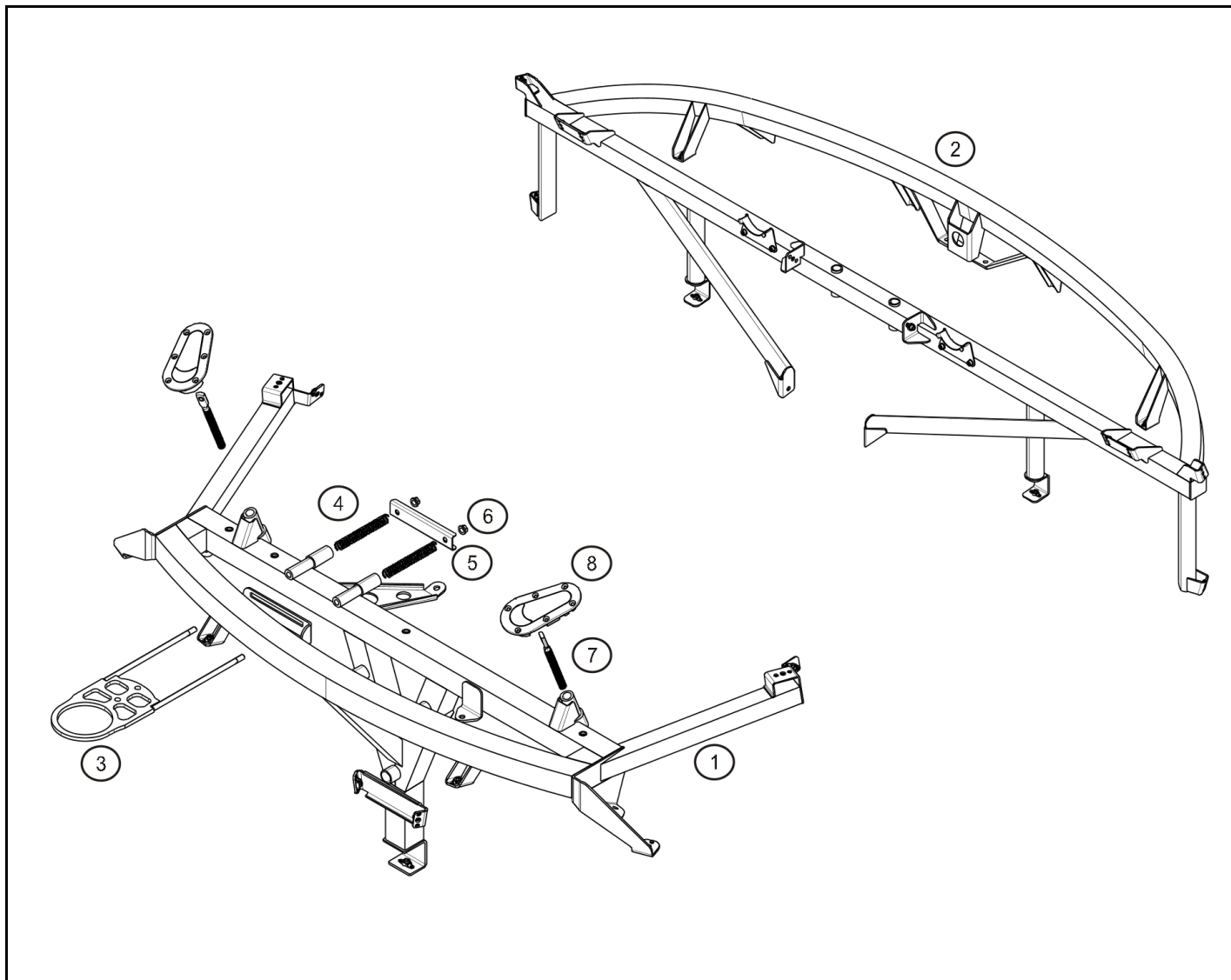
54.00



R.S.01

RENAULT
SPORT **R.S.01**

55.00



| Rep. | Reference | Description | Coef |
|------|---------------|----------------------------------|------|
| 1 | 82 01 601 261 | TRaverse AVANT ALU | 1 |
| 2 | 82 01 601 264 | traverse arriere | 1 |
| 3 | 82 01 601 263 | anneau de remorquage | 1 |
| 4 | 82 01 601 272 | ressort maintien anneau remorqu. | 2 |
| 6 | 77 11 159 367 | Nut M8 | 2 |
| 8 | 82 01 583 628 | verouillage capot avant | 2 |



févr.-2015



RENAULT SPORT

55.00



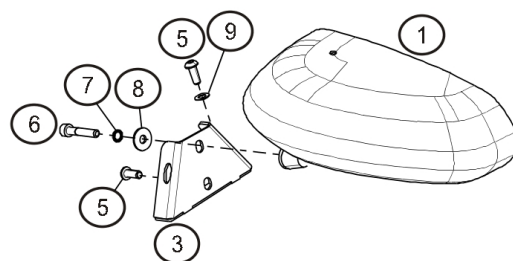
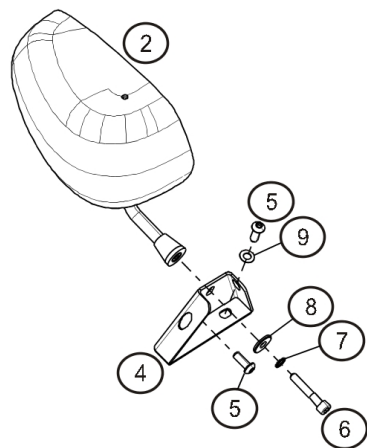
R.S.01

RENAULT
SPORT **R.S.01**

56.20

⑩ ⑪ ⑫ ⑬ ⑭ ⑮

| Rep. | Reference | Description | Coef |
|------|----------------------|-----------------------|------|
| 1 | 82 01 586 561 | coque de retro gauche | 1 |
| 2 | 82 01 586 562 | coque de retro droit | 1 |



RENAULT SPORT

févr.-2015



RENAULT

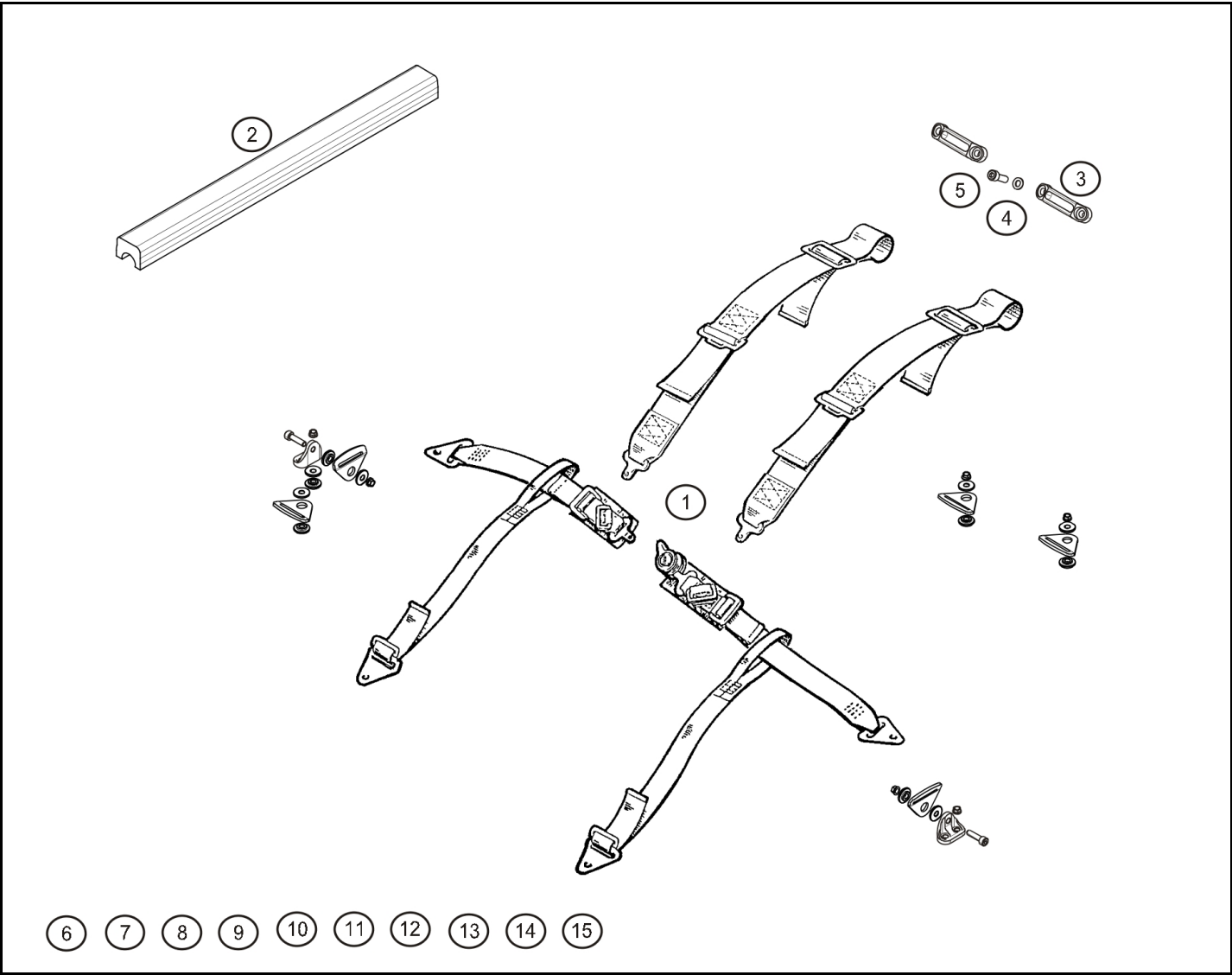
56.20



R.S.01

RENAULT SPORT R.S.01

59.30



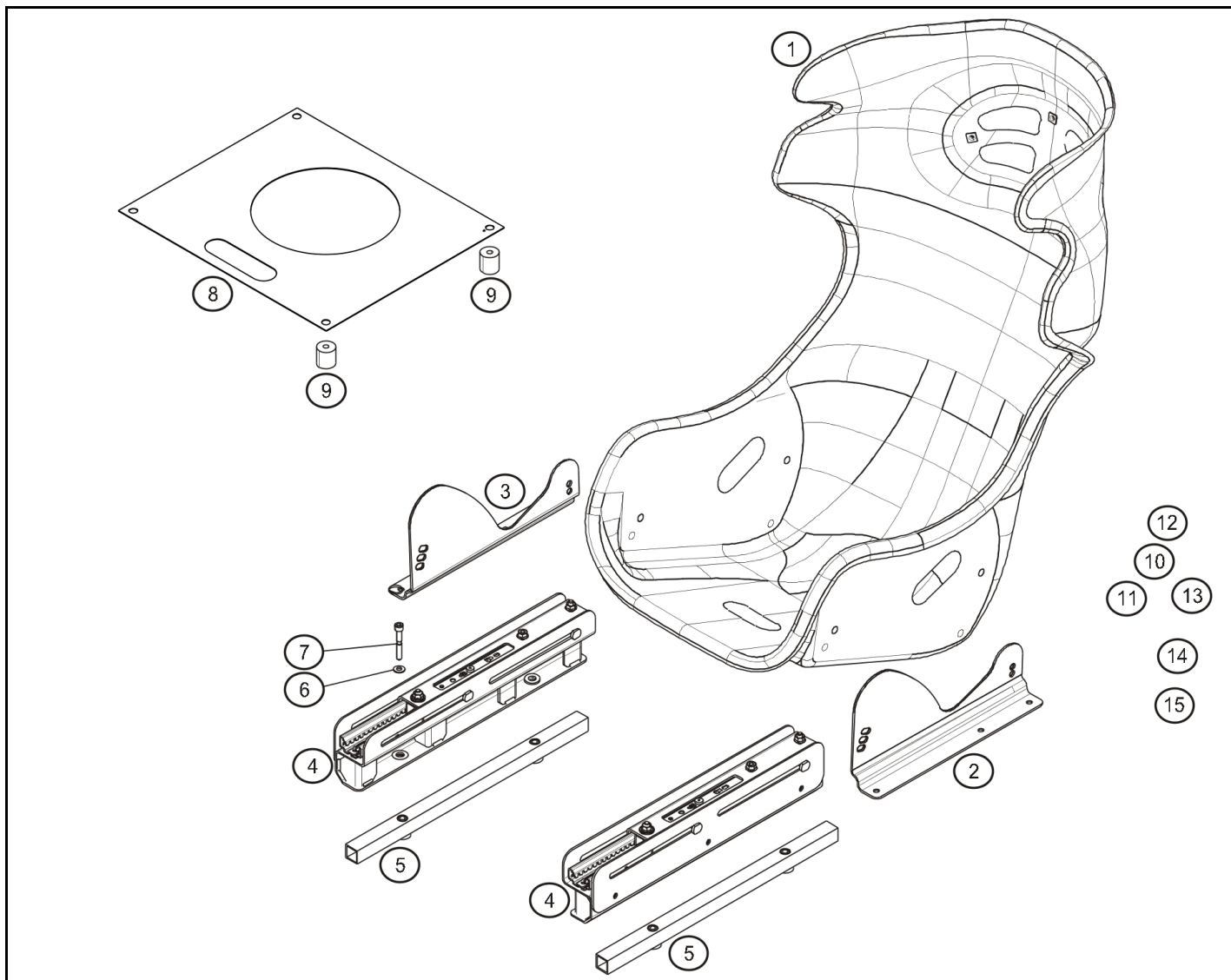
| Rep. | Reference | Description | Coef |
|------|-----------|-------------|------|
|------|-----------|-------------|------|



R.S.01

RENAULT
SPORT **R.S.01**

75.00



Rep. Reference Description Coef



avr.-2015



RENAULT SPORT

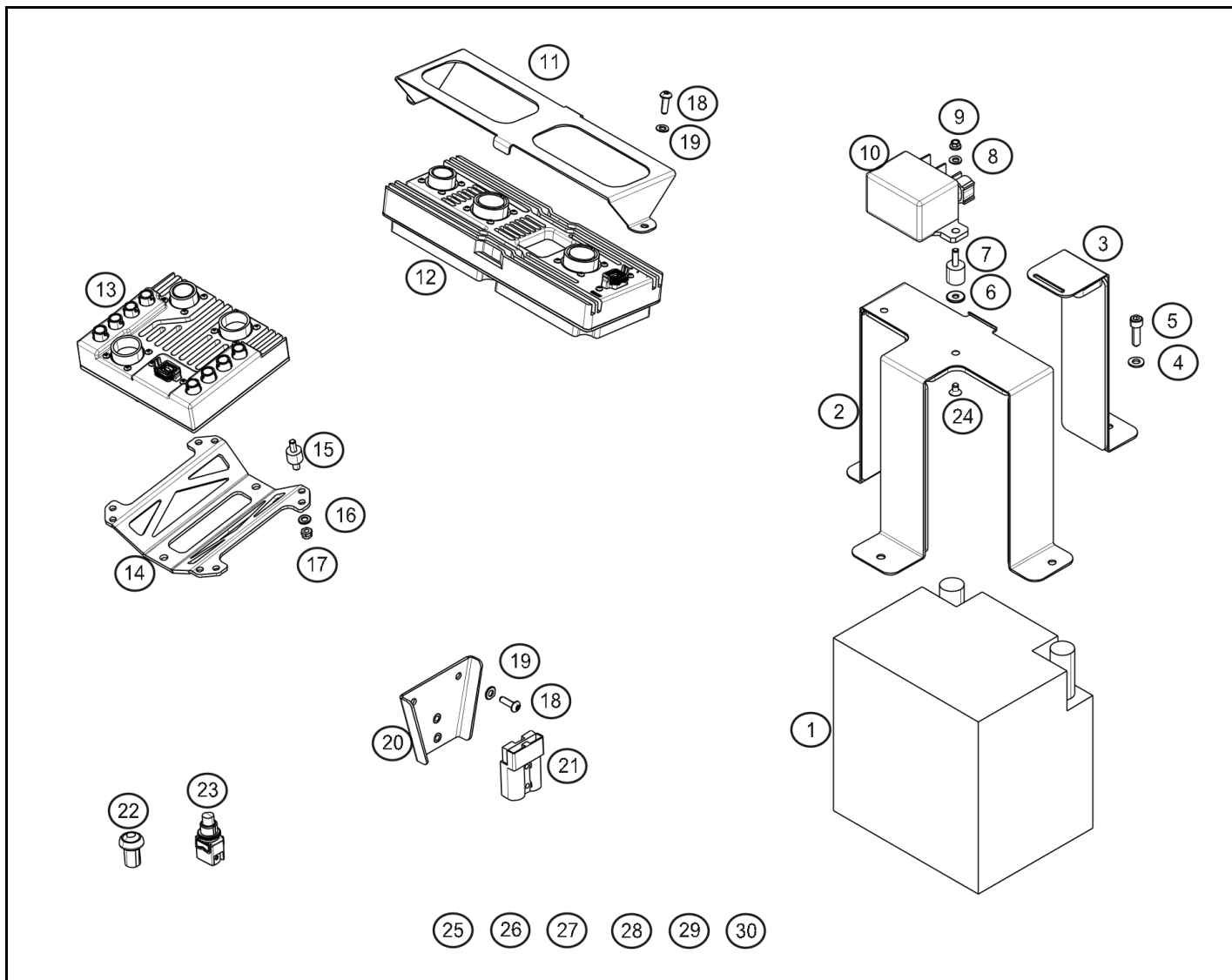
75.00



R.S.01

RENAULT SPORT R.S.01

80.00



| Rep. | Reference | Description | Coef |
|------|-----------------|--------------------------|------|
| 1 | ® 82 01 583 667 | Battery b3121 | 1 |
| 2 | 82 01 586 558 | SUPPORT BATTERIE | 1 |
| 3 | 82 01 601 739 | ATTACHE SUPPORT BATTERIE | 1 |
| 4 | 77 11 159 261 | Washer Ø6 | 4 |
| 5 | 77 11 159 296 | CHS Bolt M6 | 4 |
| 7 | 77 11 166 345 | Silentbloc | 2 |
| 10 | 82 01 537 964 | Master Relay | 1 |
| 11 | 82 01 588 613 | SUPPORT RTCM ARRIERE | 1 |
| 12 | 82 01 583 699 | module chassis | 1 |
| 13 | 82 01 583 698 | module avant | 1 |
| 14 | 82 01 588 612 | SUPPORT RTCM AVANT | 1 |
| 18 | 77 11 159 347 | BHS Bolt M5-16 | 2 |
| 19 | 77 11 156 946 | Washer Ø6x14 ép:1,2 | 2 |
| 20 | 82 01 601 743 | SUPPORT PLUG | 1 |
| 24 | 77 11 166 393 | FHS Bolt M5-10 | 2 |



févr.-2015



RENAULT SPORT

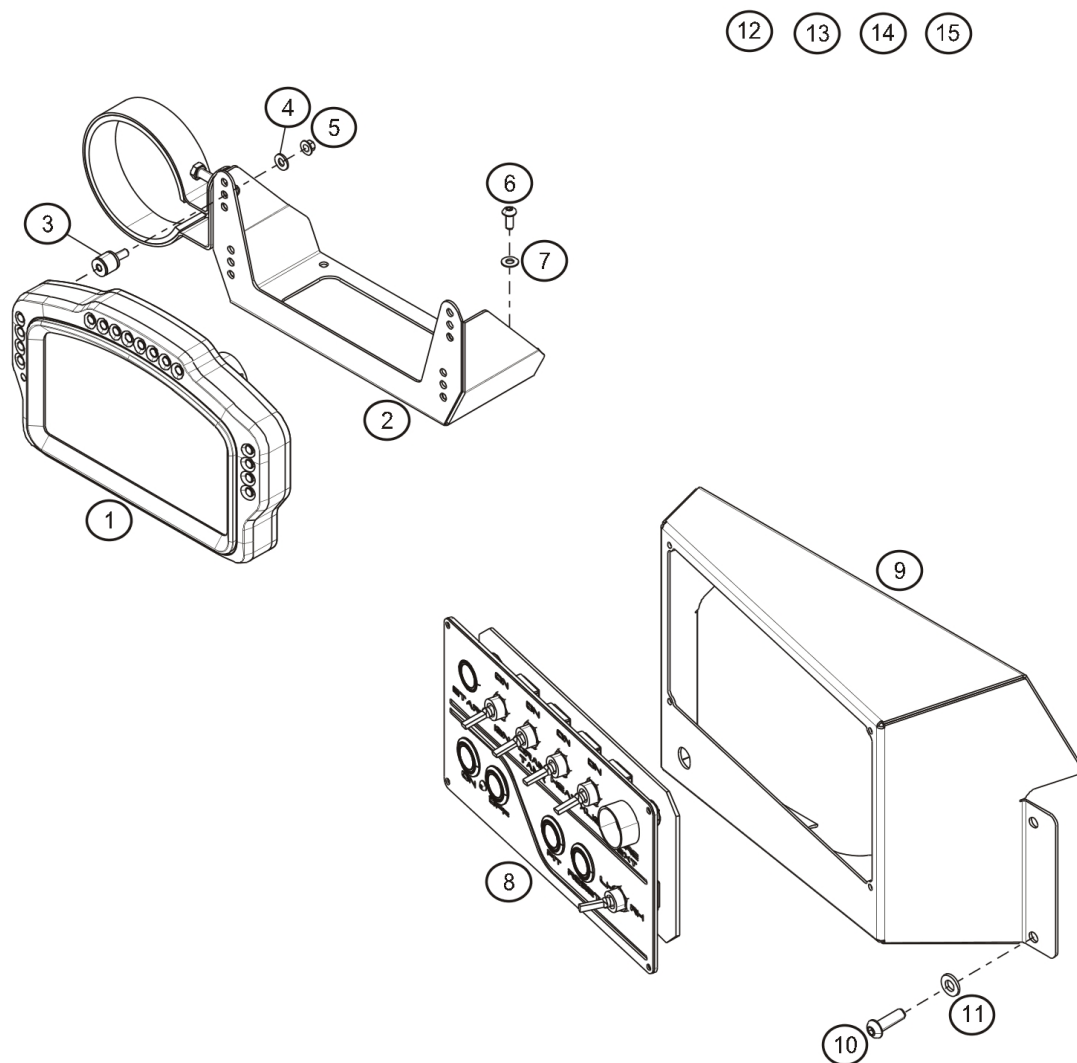
80.00



R.S.01

RENAULT SPORT **R.S.01**

83.00



| Rep. | Reference | Description | Coef |
|------|---------------|-----------------------------------|------|
| 1 | 82 01 575 834 | dashboard omega icd pro | 1 |
| 2 | 82 01 601 737 | SUPPORT DASH | 1 |
| 6 | 77 11 154 333 | BHS Bolt m4-10 cl.10/9 | 4 |
| 7 | 77 11 159 368 | Washer DIAM4 | 4 |
| 8 | 82 01 577 351 | switch panel variation luminosité | 1 |
| 9 | 82 01 601 738 | PANNEAU SWITCH | 1 |
| 10 | 77 11 159 293 | VIS CB M6X20 CL:10.9 | 4 |
| 11 | 77 11 159 261 | Washer Ø6 | 4 |



févr.-2015



RENAULT SPORT

83.00



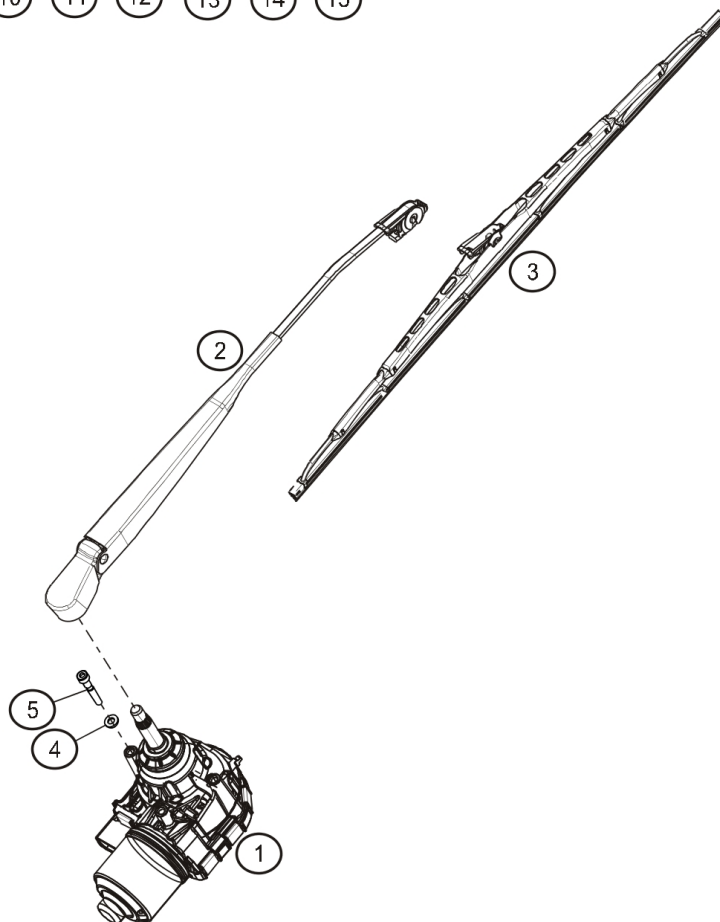
R.S.01

RENAULT
SPORT **R.S.01**

85.00

Rep. Reference Description Coef

- 6
- 7
- 8
- 9
- 10
- 11
- 12
- 13
- 14
- 15



févr.-2015



RENAULT SPORT

85.00

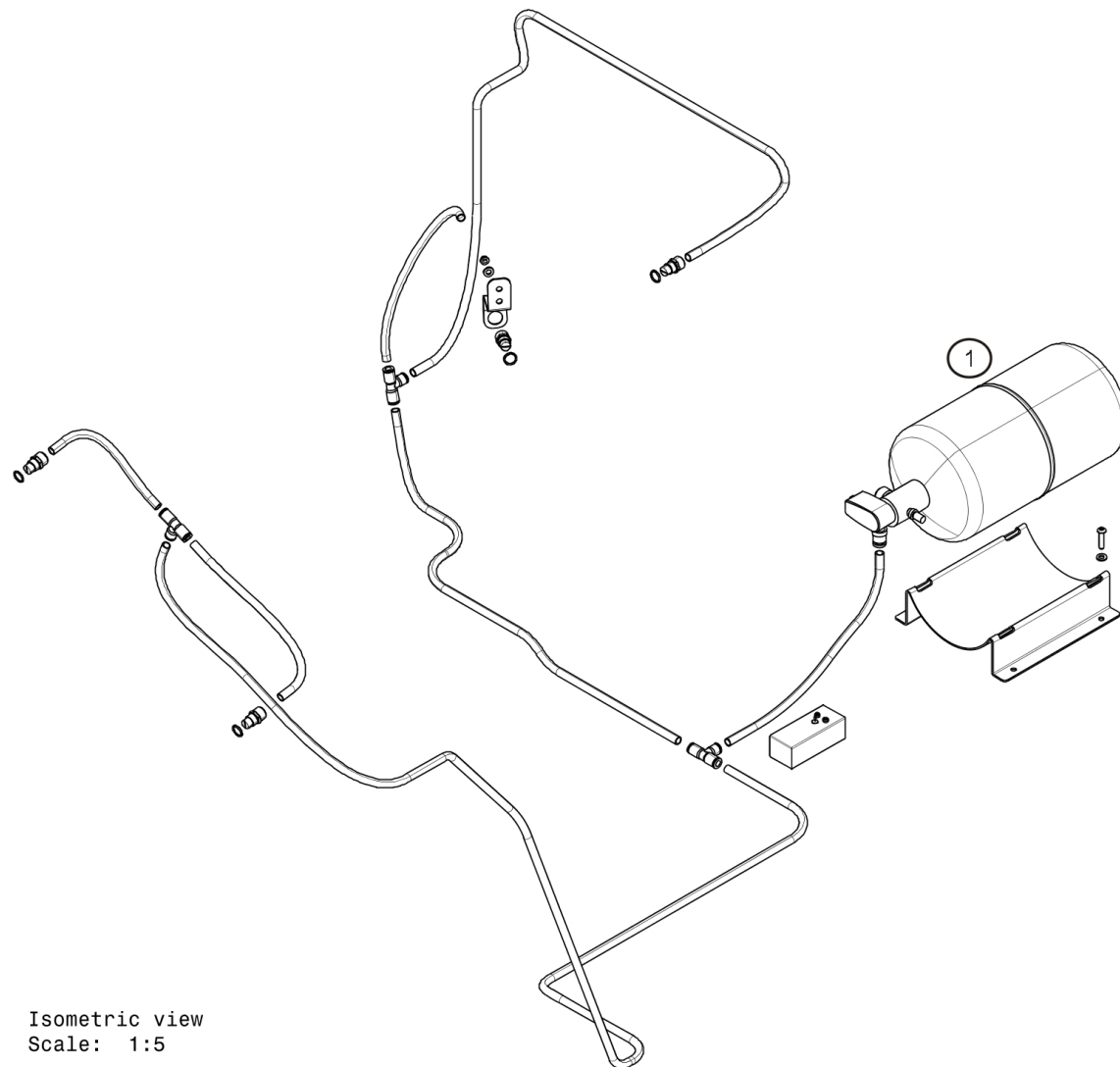


R.S.01

RENAULT
SPORT **R.S.01**

90.00

Rep. Reference Description Coef



Isometric view
Scale: 1:5



févr.-2015



RENAULT SPORT

90.00

PRICES 2015

| Reference | Rate | Boards | Reference | Rate | Boards | Reference | Rate | Boards | Reference | Rate | Boards |
|---------------|--------|--------|---------------|------|--------|---------------|------|--------------|---------------|------|--------------|
| 01 90 563 191 | | 21.60 | | | 42.20 | | | 32.10 | 77 11 159 532 | | .42 19.30 |
| 01 90 563 201 | | 21.60 | | | 80.00 | | | 33.10 | | | 37.01 |
| 01 90 563 781 | | 21.60 | | | 83.00 | | | 34.00 | 77 11 159 533 | | .73 36.00 |
| 01 90 564 041 | | 21.70 | | | 37.80 | | | 37.01 | 77 11 159 564 | | 8.98 35.00 |
| 01 90 564 081 | | 21.70 | 77 11 159 262 | .91 | 37.01 | | | 40.01 | 77 11 159 571 | | 10.60 31.40 |
| 01 90 564 161 | | 21.70 | | | 41.50 | | | 41.00 | | | 33.40 |
| 01 90 565 131 | | 21.50 | | | 42.00 | | | 42.00 | 77 11 159 572 | | 11.55 31.40 |
| 01 96 181 436 | | 21.40 | 77 11 159 263 | .42 | 19.00 | | | 55.00 | | | 33.40 |
| 01 96 211 632 | | 21.40 | | | 31.40 | 77 11 159 368 | | .42 17.00 | 77 11 159 574 | | 3.84 31.10 |
| 14 48 3JF 00B | | 13.55 | | | 31.80 | | | 83.00 | | | 31.40 |
| 49 11 078 74R | | 36.10 | | | 33.40 | 77 11 159 369 | | .96 54.00 | | | 33.10 |
| 77 03 006 360 | | 50.00 | | | 33.80 | 77 11 159 370 | | 1.80 40.55 | | | 33.40 |
| 77 11 050 940 | 2.57 | 19.30 | | | 40.00 | 77 11 159 375 | | 1.80 17.00 | 77 11 159 575 | | 229.72 31.10 |
| | | 39.00 | | | 50.00 | | | 19.00 | 77 11 159 576 | | 44.02 22.00 |
| 77 11 051 260 | .20 | 37.01 | 77 11 159 267 | .42 | 13.55 | | | 19.30 | | | 33.10 |
| | | 41.00 | | | 19.00 | | | 31.40 | | | 40.00 |
| 77 11 065 307 | .60 | 50.00 | | | 37.01 | | | 33.40 | 77 11 159 577 | | 44.02 22.00 |
| 77 11 065 767 | .97 | 17.00 | | | 41.00 | | | 36.10 | | | 33.10 |
| 77 11 065 977 | .42 | 31.40 | | | 41.50 | | | 40.00 | | | 40.00 |
| | | 33.40 | | | 42.00 | 77 11 159 385 | | 3.14 41.50 | 77 11 159 585 | | 3.17 31.10 |
| 77 11 154 295 | 8.07 | 19.00 | 77 11 159 269 | 1.70 | 10.80 | 77 11 159 405 | | 1.73 37.00 | | | 32.10 |
| 77 11 154 333 | NC | 83.00 | | | 13.55 | 77 11 159 407 | | .42 41.50 | | | 33.10 |
| 77 11 154 719 | .89 | 41.50 | | | 19.00 | 77 11 159 409 | | .42 32.00 | | | 34.00 |
| | | 42.00 | | | 19.30 | | | 32.10 | 77 11 159 586 | | 156.83 31.10 |
| | | 42.10 | | | 19.35 | | | 34.00 | | | 33.10 |
| | | 42.20 | | | 21.90 | 77 11 159 415 | | 4.80 33.10 | 77 11 159 588 | | .26 31.10 |
| 77 11 154 957 | .50 | 19.00 | | | 42.00 | 77 11 159 420 | | .40 31.10 | | | 32.10 |
| 77 11 154 997 | 279.22 | 19.35 | | | 42.10 | 77 11 159 421 | | 1.95 31.10 | | | 33.10 |
| 77 11 156 704 | 17.82 | 21.11 | | | 37.80 | | | 32.10 | | | 34.00 |
| 77 11 156 765 | .26 | 21.10 | 77 11 159 278 | | 42.20 | | | 33.10 | 77 11 159 590 | | 38.52 31.10 |
| 77 11 156 933 | 1.01 | 40.10 | 77 11 159 282 | .83 | 13.55 | 77 11 159 432 | | 1.14 36.00 | | | 32.00 |
| 77 11 156 946 | .03 | 17.00 | 77 11 159 293 | .91 | 36.00 | | | 39.00 | | | 33.10 |
| | | 80.00 | | | 83.00 | 77 11 159 435 | | .24 31.10 | 77 11 159 596 | | 15.15 31.10 |
| 77 11 156 958 | .81 | 33.40 | 77 11 159 295 | 1.80 | 37.00 | | | 32.10 | | | 32.10 |
| | | 33.80 | | | 37.01 | | | 33.10 | | | 33.10 |
| 77 11 158 025 | 120.87 | 37.01 | | | 39.00 | 77 11 159 443 | | 4.34 31.10 | | | 34.00 |
| 77 11 158 287 | 1.74 | 37.00 | 77 11 159 296 | | 13.55 | | | 32.00 | 77 11 159 602 | | 171.96 32.00 |
| 77 11 158 344 | .45 | 19.35 | | | 80.00 | | | 34.00 | | | 34.00 |
| | | 31.40 | 77 11 159 321 | | 42.10 | 77 11 159 445 | | 25.43 31.10 | 77 11 159 603 | | 5.74 22.00 |
| | | 40.10 | 77 11 159 323 | | 54.00 | 77 11 159 456 | | 3.72 19.30 | | | 32.00 |
| | | 42.10 | 77 11 159 327 | .96 | 37.01 | | | 19.35 | | | 33.40 |
| 77 11 158 357 | .51 | 40.55 | | | 42.20 | 77 11 159 463 | | 3.98 31.10 | | | 34.00 |
| 77 11 159 261 | .42 | 10.80 | 77 11 159 338 | | 31.80 | | | 34.00 | | | 40.10 |
| | | 13.55 | | | 33.80 | 77 11 159 474 | | .44 32.00 | 77 11 159 604 | | 6.87 32.00 |
| | | 21.90 | | | 50.00 | | | 34.00 | | | 34.00 |
| | | 33.80 | 77 11 159 339 | .42 | 37.00 | | | 37.00 | | | 40.00 |
| | | 36.00 | 77 11 159 340 | .96 | 37.01 | | | 37.01 | 77 11 159 605 | | 182.97 32.00 |
| | | 37.00 | | | 42.20 | 77 11 159 481 | | .96 37.01 | | | 34.00 |
| | | 37.01 | 77 11 159 347 | .91 | 19.35 | 77 11 159 496 | | .42 19.35 | | | 40.00 |
| | | 39.00 | | | 80.00 | 77 11 159 501 | | .96 19.35 | 77 11 159 606 | | 97.68 32.00 |
| | | 41.00 | 77 11 159 364 | .96 | 40.55 | 77 11 159 519 | | 114.09 32.10 | | | 34.00 |
| | | 42.10 | 77 11 159 367 | 3.03 | 32.00 | 77 11 159 520 | | 1.80 32.10 | | | 40.00 |

PRICES 2015

| Reference | Rate | Boards | Reference | Rate | Boards | Reference | Rate | Boards | Reference | Rate | Boards |
|---------------|--------|--------|---------------|--------|--------|---------------|--------|--------|---------------|---------|--------|
| 77 11 159 608 | 8.16 | 32.00 | | | 42.00 | 77 11 165 154 | 8.67 | 40.00 | | | 41.50 |
| | | 34.00 | 77 11 159 882 | .91 | 36.00 | 77 11 165 155 | .21 | 41.50 | 77 11 166 376 | 2.31 | 31.10 |
| 77 11 159 613 | 166.94 | 32.00 | | | 37.00 | 77 11 165 164 | 7.16 | 40.00 | | | 32.00 |
| | | 34.00 | 77 11 159 888 | 16.32 | 19.00 | 77 11 165 168 | | 13.55 | | | 32.10 |
| 77 11 159 617 | .23 | 31.10 | 77 11 159 897 | .78 | 37.00 | 77 11 165 189 | .40 | 10.80 | | | 33.10 |
| | | 32.00 | 77 11 159 905 | 12.11 | 37.00 | | | 36.10 | | | 34.00 |
| | | 32.10 | 77 11 159 912 | 22.01 | 22.00 | 77 11 165 191 | 93.55 | 37.01 | | | 37.00 |
| | | 33.10 | 77 11 159 929 | .41 | 40.10 | 77 11 165 194 | 61.90 | 37.01 | | | 37.01 |
| | | 34.00 | 77 11 159 956 | 3.74 | 13.55 | 77 11 165 195 | 82.26 | 37.01 | 77 11 166 393 | .11 | 80.00 |
| 77 11 159 633 | 41.40 | 31.10 | 77 11 159 959 | 3.89 | 10.80 | 77 11 165 196 | 28.19 | 37.01 | 77 11 166 587 | .50 | 32.10 |
| | | 33.10 | | | 13.55 | 77 11 165 197 | 6.24 | 37.01 | | | 41.50 |
| | | 34.00 | | | 19.00 | 77 11 165 199 | .98 | 42.20 | 77 11 166 688 | .17 | 50.00 |
| 77 11 159 635 | .51 | 32.10 | | | 40.01 | 77 11 165 221 | 12.11 | 37.00 | 77 11 166 805 | 53.37 | 13.55 |
| | | 34.00 | | | 41.00 | 77 11 165 222 | 12.11 | 37.00 | 77 11 166 869 | .37 | 33.80 |
| | | 36.10 | | | 37.80 | 77 11 165 265 | 212.80 | 19.30 | 77 11 167 297 | 19.30 | 50.00 |
| | | 37.01 | 77 11 159 962 | 1.28 | 37.01 | 77 11 165 318 | 2.49 | 41.00 | 77 11 167 366 | 4.68 | 21.11 |
| 77 11 159 636 | 1.26 | 34.00 | | | 37.80 | | | 42.00 | 82 00 385 181 | | 50.00 |
| | | 36.10 | 77 11 159 992 | | 37.00 | 77 11 165 320 | 1.93 | 42.10 | 82 00 843 631 | | 50.00 |
| 77 11 159 639 | 47.67 | 32.10 | 77 11 159 993 | 248.21 | 21.90 | 77 11 165 329 | 17.50 | 37.01 | 82 01 537 964 | 89.70 | 80.00 |
| | | 34.00 | 77 11 161 806 | .42 | 37.00 | 77 11 165 344 | 1.10 | 19.30 | 82 01 552 991 | | 35.00 |
| | | 36.10 | | | 42.00 | 77 11 165 350 | 3.41 | 39.00 | 82 01 552 993 | | 35.00 |
| 77 11 159 640 | 59.82 | 34.00 | 77 11 161 816 | 137.18 | 37.80 | 77 11 165 364 | 12.63 | 33.10 | 82 01 568 479 | | 36.10 |
| | | 36.10 | 77 11 161 817 | 145.57 | 37.80 | 77 11 165 396 | 2.59 | 31.80 | 82 01 575 830 | | 17.00 |
| 77 11 159 642 | 26.14 | 34.00 | 77 11 161 838 | | 13.50 | | | 33.80 | 82 01 575 834 | | 83.00 |
| | | 41.00 | | | 13.55 | 77 11 165 397 | 1.01 | 37.00 | 82 01 576 907 | 4.03 | 54.00 |
| 77 11 159 643 | 31.65 | 32.10 | 77 11 161 843 | 126.56 | 19.30 | | | 37.01 | 82 01 576 908 | | 54.00 |
| | | 40.00 | 77 11 161 844 | 3.59 | 19.30 | 77 11 165 399 | | 37.00 | 82 01 576 916 | 1440.00 | 19.00 |
| 77 11 159 647 | 1.70 | 37.00 | 77 11 161 845 | 20.06 | 19.30 | 77 11 165 401 | 90.75 | 40.01 | 82 01 576 919 | 236.84 | 19.00 |
| | | 41.50 | 77 11 161 848 | 4.98 | 19.30 | 77 11 165 408 | .46 | 36.00 | 82 01 576 920 | 236.84 | 19.00 |
| 77 11 159 662 | | 40.10 | 77 11 161 899 | .83 | 19.00 | 77 11 165 409 | 1.12 | 34.00 | 82 01 576 921 | 166.66 | 19.00 |
| 77 11 159 685 | 25.53 | 37.01 | 77 11 161 928 | 12.11 | 37.00 | 77 11 165 411 | .45 | 31.40 | 82 01 576 922 | 245.61 | 19.00 |
| 77 11 159 693 | 9.90 | 37.00 | 77 11 161 948 | 12.11 | 37.00 | | | 40.10 | 82 01 576 923 | 289.47 | 19.00 |
| 77 11 159 694 | 1.80 | 37.00 | 77 11 162 180 | 23.56 | 21.11 | 77 11 165 412 | 9.57 | 31.40 | 82 01 576 924 | 315.78 | 19.00 |
| | | 37.01 | 77 11 162 216 | 8.78 | 21.10 | | | 33.40 | 82 01 576 925 | 263.15 | 19.00 |
| 77 11 159 695 | 11.43 | 37.00 | 77 11 162 247 | .62 | 21.50 | 77 11 165 419 | 1.12 | 42.00 | 82 01 576 926 | 45.75 | 19.00 |
| 77 11 159 701 | 1.80 | 37.00 | 77 11 162 248 | 3.91 | 21.50 | | | 42.20 | 82 01 576 927 | 45.75 | 19.00 |
| 77 11 159 702 | 4.80 | 37.00 | 77 11 162 250 | 12.78 | 21.50 | 77 11 165 422 | .24 | 19.30 | 82 01 576 928 | 394.73 | 19.00 |
| 77 11 159 704 | 3.17 | 37.00 | 77 11 162 295 | .53 | 21.12 | 77 11 165 427 | .45 | 42.20 | 82 01 576 930 | 171.92 | 19.00 |
| 77 11 159 705 | 20.63 | 37.00 | 77 11 162 297 | .38 | 21.20 | 77 11 165 440 | 64.72 | 34.00 | 82 01 576 931 | 17.14 | 17.00 |
| 77 11 159 719 | 34.33 | 37.01 | 77 11 162 368 | 1.72 | 21.11 | 77 11 165 548 | .77 | 31.40 | | | 19.00 |
| 77 11 159 730 | 37.17 | 29.00 | 77 11 163 551 | 10.99 | 31.40 | | | 33.40 | 82 01 576 932 | 159.49 | 19.00 |
| 77 11 159 734 | 20.63 | 29.00 | | | 33.40 | 77 11 165 697 | | 37.00 | 82 01 576 933 | 3.28 | 19.30 |
| 77 11 159 735 | .96 | 29.00 | 77 11 163 602 | 11.50 | 19.30 | 77 11 165 739 | 33.23 | 22.00 | 82 01 576 934 | | 19.35 |
| 77 11 159 736 | .82 | 29.00 | | | 19.35 | 77 11 166 039 | 163.63 | 41.50 | 82 01 576 935 | .10 | 19.00 |
| 77 11 159 748 | .42 | 10.80 | | | 39.00 | 77 11 166 117 | 3.65 | 19.50 | 82 01 576 936 | 43.89 | 19.00 |
| | | 19.00 | 77 11 165 043 | .93 | 37.00 | 77 11 166 148 | 3.62 | 19.00 | 82 01 576 937 | 16.42 | 19.00 |
| | | 19.30 | 77 11 165 093 | 38.90 | 42.10 | 77 11 166 186 | 2.22 | 36.00 | 82 01 576 938 | 81.78 | 19.35 |
| | | 19.35 | 77 11 165 094 | .96 | 37.00 | | | 41.50 | 82 01 577 150 | | 37.80 |
| | | 37.00 | 77 11 165 096 | 3.98 | 32.10 | 77 11 166 190 | 4.41 | 32.00 | 82 01 577 351 | 508.77 | 83.00 |
| | | 37.01 | 77 11 165 130 | .96 | 42.20 | | | 34.00 | 82 01 577 890 | 133.46 | 19.30 |
| 77 11 159 816 | 1.80 | 32.00 | 77 11 165 133 | 2.33 | 19.35 | 77 11 166 345 | 4.67 | 80.00 | 82 01 579 112 | | 32.00 |
| | | 34.00 | 77 11 165 153 | 11.55 | 40.00 | 77 11 166 375 | 1.66 | 36.00 | 82 01 579 113 | | 32.00 |

PRICES 2015

| Reference | Rate | Boards | Reference | Rate | Boards | Reference | Rate | Boards | Reference | Rate | Boards |
|---------------|----------|--------|---------------|---------|--------|---------------|---------|--------|---------------|---------|--------|
| 82 01 579 114 | 114.94 | 36.00 | 82 01 579 746 | 43.61 | 13.50 | 82 01 583 631 | 438.59 | 40.60 | 82 01 586 515 | 243.98 | 37.01 |
| 82 01 579 115 | 2900.00 | 10.80 | | | 13.55 | 82 01 583 632 | 40.66 | 34.00 | 82 01 586 516 | | 17.00 |
| 82 01 579 117 | | 10.80 | 82 01 579 747 | 43.61 | 13.50 | 82 01 583 634 | | 31.80 | 82 01 586 517 | | 17.00 |
| 82 01 579 118 | | 10.80 | 82 01 579 749 | 102.19 | 13.50 | | | 40.60 | 82 01 586 520 | 443.42 | 32.00 |
| 82 01 579 119 | | 10.80 | 82 01 579 751 | 7.07 | 13.50 | 82 01 583 635 | | 31.80 | | | 36.10 |
| 82 01 579 120 | | 10.80 | | | 13.55 | | | 40.60 | 82 01 586 521 | 2842.10 | 36.00 |
| 82 01 579 121 | 201.75 | 10.80 | 82 01 579 753 | | 31.40 | 82 01 583 636 | | 40.50 | 82 01 586 522 | 518.62 | 29.00 |
| 82 01 579 122 | 394.10 | 10.80 | 82 01 579 754 | | 31.40 | 82 01 583 637 | | 40.50 | 82 01 586 523 | 312.07 | 29.00 |
| 82 01 579 123 | .01 | 19.00 | 82 01 579 755 | | 33.40 | 82 01 583 638 | 240.00 | 40.50 | 82 01 586 525 | 12.53 | 29.00 |
| 82 01 579 125 | .75 | 19.30 | 82 01 579 756 | | 33.40 | 82 01 583 641 | 9.47 | 32.00 | 82 01 586 526 | .81 | 29.00 |
| 82 01 579 126 | 4.01 | 19.35 | 82 01 579 758 | 1100.00 | 32.00 | | | 34.00 | 82 01 586 527 | | 29.00 |
| 82 01 579 127 | 6.64 | 19.30 | 82 01 579 759 | 1100.00 | 34.00 | 82 01 583 643 | | 40.70 | 82 01 586 528 | | 29.00 |
| 82 01 579 128 | 201.75 | 21.90 | 82 01 582 057 | 6850.00 | 40.50 | 82 01 583 644 | | 40.70 | 82 01 586 529 | | 29.00 |
| 82 01 579 129 | 180.63 | 36.00 | 82 01 582 061 | 19.92 | 31.10 | 82 01 583 645 | 320.00 | 40.70 | 82 01 586 530 | 36.58 | 29.00 |
| 82 01 579 130 | 254.38 | 21.90 | | | 33.10 | 82 01 583 646 | 320.00 | 40.70 | 82 01 586 531 | 1.32 | 29.00 |
| 82 01 579 131 | 254.38 | 21.90 | 82 01 582 062 | 790.00 | 34.00 | 82 01 583 650 | | 40.70 | 82 01 586 532 | 44.77 | 29.00 |
| 82 01 579 132 | 3245.61 | 39.00 | 82 01 582 064 | 3790.00 | 40.50 | 82 01 583 652 | 1140.35 | 33.80 | 82 01 586 533 | 2.13 | 29.00 |
| 82 01 579 133 | 3421.05 | 39.00 | 82 01 582 065 | 9.54 | 34.00 | 82 01 583 653 | | 33.80 | 82 01 586 534 | .36 | 29.00 |
| 82 01 579 134 | 575.00 | 39.00 | 82 01 582 066 | 3790.00 | 40.50 | 82 01 583 654 | 940.00 | 40.60 | 82 01 586 535 | .36 | 29.00 |
| 82 01 579 137 | 361.26 | 39.00 | 82 01 582 075 | 700.00 | 54.00 | 82 01 583 655 | | 40.60 | 82 01 586 536 | 54.63 | 22.00 |
| 82 01 579 142 | 164.21 | 29.00 | 82 01 582 076 | 700.00 | 54.00 | 82 01 583 665 | 26.06 | 21.11 | 82 01 586 537 | | 22.00 |
| 82 01 579 143 | 12.00 | 29.00 | 82 01 582 079 | | 40.60 | | | 21.50 | 82 01 586 538 | 21.89 | 22.00 |
| 82 01 579 144 | 131.57 | 41.00 | 82 01 582 080 | | 40.60 | 82 01 583 666 | 46.69 | 21.11 | 82 01 586 540 | 6330.00 | 22.00 |
| 82 01 579 145 | 131.57 | 41.00 | 82 01 582 081 | 950.00 | 40.70 | 82 01 583 667 | 210.00 | 80.00 | 82 01 586 541 | 18.33 | 22.00 |
| 82 01 579 147 | 940.00 | 29.00 | 82 01 582 082 | 950.00 | 40.70 | 82 01 583 668 | 74.00 | 19.35 | 82 01 586 544 | 82.11 | 22.00 |
| 82 01 579 149 | 120.00 | 29.00 | 82 01 582 083 | 150.87 | 40.70 | 82 01 583 672 | 3770.00 | 42.20 | | | 34.00 |
| 82 01 579 693 | 253.40 | 13.50 | 82 01 582 084 | 150.87 | 40.70 | 82 01 583 673 | 3190.00 | 42.10 | 82 01 586 545 | 85.93 | 22.00 |
| 82 01 579 694 | 253.40 | 13.50 | 82 01 582 085 | 620.00 | 40.60 | 82 01 583 674 | 3190.00 | 42.10 | 82 01 586 546 | 54.74 | 22.00 |
| 82 01 579 695 | 28.00 | 13.50 | 82 01 582 086 | 620.00 | 40.60 | 82 01 583 677 | 580.00 | 42.20 | 82 01 586 557 | | 17.00 |
| 82 01 579 709 | 500.00 | 40.00 | 82 01 582 087 | 620.00 | 40.60 | 82 01 583 678 | 110.00 | 42.10 | 82 01 586 558 | | 80.00 |
| 82 01 579 710 | 38000.00 | 21.00 | 82 01 582 088 | 620.00 | 40.60 | 82 01 583 679 | 250.00 | 42.10 | 82 01 586 561 | | 56.20 |
| 82 01 579 711 | 348.24 | 21.20 | 82 01 582 089 | 2420.00 | 40.50 | 82 01 583 680 | 220.00 | 42.10 | 82 01 586 562 | | 56.20 |
| 82 01 579 716 | | 19.35 | 82 01 582 090 | 2420.00 | 40.50 | 82 01 583 682 | 120.00 | 42.10 | 82 01 586 564 | 6370.00 | 41.00 |
| 82 01 579 718 | | 19.35 | 82 01 582 093 | 2120.00 | 40.50 | | | 42.20 | 82 01 586 565 | 833.33 | 34.00 |
| 82 01 579 719 | | 19.35 | 82 01 582 094 | .54 | 40.10 | 82 01 583 683 | 186.10 | 42.00 | 82 01 586 566 | 21.74 | 32.00 |
| 82 01 579 720 | | 19.35 | 82 01 582 095 | 3150.00 | 40.50 | 82 01 583 684 | 186.10 | 42.00 | | | 34.00 |
| 82 01 579 722 | | 19.35 | 82 01 582 096 | 32.14 | 40.55 | 82 01 583 685 | 307.01 | 42.00 | 82 01 586 567 | 254.39 | 41.00 |
| 82 01 579 724 | | 19.35 | 82 01 582 097 | 84.21 | 41.00 | 82 01 583 686 | 307.01 | 42.00 | 82 01 586 568 | 340.00 | 19.50 |
| 82 01 579 725 | | 19.30 | 82 01 582 098 | 84.21 | 41.00 | 82 01 583 687 | 310.00 | 42.00 | 82 01 586 569 | 340.00 | 19.50 |
| 82 01 579 726 | | 19.35 | 82 01 582 099 | 4450.00 | 40.50 | 82 01 583 688 | 310.00 | 42.00 | 82 01 586 570 | 250.00 | 19.50 |
| 82 01 579 728 | | 19.30 | 82 01 582 100 | 2210.00 | 40.50 | 82 01 583 690 | 540.00 | 42.20 | 82 01 586 571 | 250.00 | 19.50 |
| 82 01 579 729 | | 19.30 | 82 01 583 622 | 126.31 | 31.10 | 82 01 583 692 | 522.80 | 42.10 | 82 01 586 572 | 14.21 | 19.50 |
| 82 01 579 731 | | 19.30 | | | 33.10 | 82 01 583 694 | 56.14 | 42.00 | 82 01 586 576 | 259.64 | 21.12 |
| 82 01 579 732 | | 19.30 | 82 01 583 623 | 401.22 | 31.10 | | | 42.10 | 82 01 586 578 | 44.66 | 19.00 |
| 82 01 579 734 | | 19.30 | | | 33.10 | 82 01 583 695 | 22.80 | 42.20 | 82 01 586 587 | 84.21 | 42.20 |
| 82 01 579 737 | 125.89 | 37.01 | 82 01 583 626 | 620.00 | 33.10 | 82 01 583 697 | .54 | 31.40 | 82 01 586 588 | 83.43 | 42.00 |
| 82 01 579 740 | | 32.00 | 82 01 583 627 | 7.28 | 32.00 | | | 34.00 | 82 01 586 589 | .54 | 34.00 |
| 82 01 579 741 | | 34.00 | | | 34.00 | | | 41.50 | 82 01 586 591 | .54 | 33.10 |
| 82 01 579 742 | | 34.00 | 82 01 583 628 | 196.01 | 55.00 | 82 01 583 698 | 1140.35 | 80.00 | 82 01 586 592 | 90.50 | 33.10 |
| 82 01 579 743 | 1315.78 | 13.50 | 82 01 583 629 | 19.92 | 31.10 | 82 01 583 699 | 1035.08 | 80.00 | 82 01 586 594 | 1.12 | 21.20 |
| 82 01 579 744 | 271.92 | 13.50 | | | 33.10 | 82 01 586 513 | 179.98 | 31.40 | 82 01 586 595 | 17.99 | 21.20 |
| 82 01 579 745 | 271.92 | 13.50 | 82 01 583 630 | 438.59 | 40.60 | 82 01 586 514 | 627.84 | 37.01 | 82 01 586 596 | 73.43 | 21.20 |

PRICES 2015

| Reference | Rate | Boards | Reference | Rate | Boards | Reference | Rate | Boards | Reference | Rate | Boards |
|---------------|---------|--------|---------------|---------|--------|---------------|--------|--------|-----------|------|--------|
| 82 01 599 698 | .96 | 31.40 | 82 01 600 296 | 32.92 | 42.10 | 82 01 601 728 | | 1.22 | 19.30 | | |
| | | 33.40 | 82 01 600 299 | 111.24 | 42.00 | 82 01 601 729 | | 27.26 | 19.30 | | |
| 82 01 599 699 | .64 | 37.80 | 82 01 600 300 | | 42.00 | 82 01 601 730 | | 82.00 | 19.35 | | |
| 82 01 600 237 | 890.00 | 31.80 | 82 01 600 657 | | 36.10 | 82 01 601 731 | | 234.57 | 19.35 | | |
| 82 01 600 238 | 890.00 | 31.80 | 82 01 601 256 | 47.71 | 42.00 | 82 01 601 732 | | 54.52 | 19.35 | | |
| 82 01 600 239 | 657.89 | 31.80 | 82 01 601 257 | 47.71 | 42.00 | 82 01 601 733 | | 137.89 | 19.30 | | |
| 82 01 600 240 | 657.89 | 31.80 | 82 01 601 258 | .26 | 42.00 | 82 01 601 737 | | 120.42 | 83.00 | | |
| 82 01 600 241 | 7.77 | 37.80 | 82 01 601 259 | 1.61 | 41.50 | 82 01 601 738 | | 205.26 | 83.00 | | |
| 82 01 600 242 | 7.77 | 19.30 | 82 01 601 260 | 2.68 | 41.50 | 82 01 601 739 | | | 80.00 | | |
| | | 37.80 | 82 01 601 261 | 3270.00 | 55.00 | 82 01 601 740 | | 263.15 | 17.00 | | |
| 82 01 600 243 | 980.00 | 33.80 | 82 01 601 263 | 40.36 | 55.00 | 82 01 601 742 | | | 17.00 | | |
| 82 01 600 244 | 980.00 | 33.80 | 82 01 601 264 | 3520.00 | 55.00 | 82 01 601 743 | | | 80.00 | | |
| 82 01 600 245 | 728.07 | 33.80 | 82 01 601 270 | 60.21 | 33.80 | 82 01 601 744 | | 219.29 | 19.00 | | |
| 82 01 600 246 | 728.07 | 33.80 | | | 40.60 | 82 01 601 745 | | 219.29 | 19.00 | | |
| 82 01 600 248 | 1710.00 | 33.10 | 82 01 601 271 | 60.21 | 33.80 | 82 01 601 747 | | 219.29 | 19.00 | | |
| 82 01 600 249 | 1710.00 | 33.10 | | | 40.60 | 82 01 601 748 | | 18.47 | 19.00 | | |
| 82 01 600 250 | 148.28 | 33.10 | 82 01 601 272 | 17.45 | 55.00 | 82 01 604 351 | | 131.36 | 37.01 | | |
| 82 01 600 251 | 120.42 | 36.00 | 82 01 601 278 | 470.00 | 50.00 | 82 01 612 532 | | | 36.00 | | |
| 82 01 600 252 | 306.52 | 36.10 | 82 01 601 285 | 580.00 | 33.10 | 82 01 612 533 | | | 36.00 | | |
| 82 01 600 253 | 59.12 | 36.10 | 82 01 601 286 | 198.14 | 33.10 | 82 01 612 534 | | | 36.00 | | |
| 82 01 600 254 | 21.89 | 36.10 | | | 33.40 | 82 01 625 916 | | | 29.00 | | |
| 82 01 600 255 | 4.31 | 36.10 | 82 01 601 287 | 18.31 | 33.10 | 82 10 583 671 | | | 42.00 | | |
| 82 01 600 256 | .54 | 36.10 | 82 01 601 288 | 18.63 | 33.10 | 96 21 U19 319 | | | 21.30 | | |
| 82 01 600 257 | 1.28 | 36.10 | 82 01 601 290 | 78.19 | 33.10 | | | | 21.40 | | |
| 82 01 600 260 | | 37.00 | 82 01 601 692 | 94.26 | 50.00 | 96 90 56U 019 | | | 21.30 | | |
| 82 01 600 261 | 140.84 | 37.00 | 82 01 601 700 | 10.00 | 33.40 | 98 CU P00 123 | 307.30 | | 17.00 | | |
| 82 01 600 262 | 117.70 | 37.00 | 82 01 601 701 | 10.00 | 33.40 | C9 61 4U2 927 | | | 21.30 | | |
| 82 01 600 263 | 24.68 | 37.00 | 82 01 601 702 | 10.00 | 33.40 | | | | 21.40 | | |
| 82 01 600 264 | 74.70 | 37.00 | 82 01 601 704 | 10.00 | 33.40 | C9 61 8U1 926 | | | 21.30 | | |
| 82 01 600 265 | .10 | 37.00 | 82 01 601 705 | 10.00 | 33.40 | | | | 21.40 | | |
| 82 01 600 266 | .10 | 37.00 | 82 01 601 706 | 118.45 | 33.40 | C9 61 8U2 226 | | | 21.30 | | |
| 82 01 600 267 | 104.00 | 37.01 | 82 01 601 707 | .26 | 33.40 | | | | 21.40 | | |
| 82 01 600 268 | 50.52 | 37.01 | 82 01 601 708 | 159.89 | 37.80 | C9 61 8U2 526 | | | 21.30 | | |
| 82 01 600 269 | 24.38 | 37.01 | 82 01 601 709 | 191.57 | 37.80 | | | | 21.40 | | |
| 82 01 600 270 | 24.68 | 37.01 | 82 01 601 710 | 235.36 | 37.80 | CPL1 327 905 | | | 21.60 | | |
| 82 01 600 271 | 370.42 | 37.00 | 82 01 601 711 | 246.31 | 37.80 | | | | 21.70 | | |
| 82 01 600 272 | 8.50 | 37.00 | 82 01 601 712 | 120.42 | 37.80 | CPL2 033 905 | | | 21.40 | | |
| 82 01 600 275 | 46.00 | 37.00 | 82 01 601 713 | 38.31 | 37.80 | | | | 21.70 | | |
| 82 01 600 276 | 48.63 | 37.00 | 82 01 601 714 | 114.94 | 37.80 | | | | | | |
| 82 01 600 277 | 152.10 | 37.00 | 82 01 601 715 | 38.31 | 37.80 | | | | | | |
| 82 01 600 279 | 40.56 | 37.00 | 82 01 601 716 | 125.89 | 37.80 | | | | | | |
| 82 01 600 283 | 71.15 | 36.00 | 82 01 601 717 | 49.26 | 37.80 | | | | | | |
| 82 01 600 284 | .21 | 37.00 | 82 01 601 719 | 87.57 | 37.80 | | | | | | |
| 82 01 600 285 | 1.01 | 37.01 | 82 01 601 720 | 153.26 | 37.80 | | | | | | |
| 82 01 600 286 | 28.17 | 37.01 | 82 01 601 721 | | 37.00 | | | | | | |
| 82 01 600 287 | 76.61 | 37.00 | 82 01 601 722 | 366.96 | 19.30 | | | | | | |
| 82 01 600 288 | .15 | 19.30 | 82 01 601 723 | 500.00 | 19.30 | | | | | | |
| | | 37.01 | 82 01 601 724 | 141.22 | 19.30 | | | | | | |
| 82 01 600 291 | 1.28 | 41.00 | 82 01 601 725 | 1.91 | 19.30 | | | | | | |
| 82 01 600 292 | 82.73 | 41.50 | 82 01 601 726 | 78.19 | 19.30 | | | | | | |
| 82 01 600 293 | 33.36 | 42.10 | 82 01 601 727 | 17.14 | 19.30 | | | | | | |
| 82 01 600 295 | 33.36 | 42.10 | | | 19.35 | | | | | | |