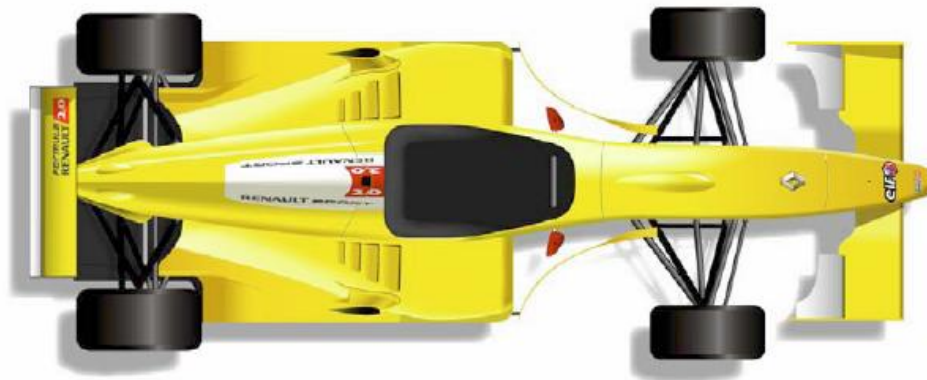


**2.0**

**FORMULA  
RENAULT 2.0**



## Spare Parts Book

Reference: 7711154999  
Date: 06/07/2015



**RENAULT SPORT**





# WARRANTY

- Competition do not carry any specific contractual warranty
- Moreover, we would like to point out that the fitting of RenaultSport competition parts to RENAULT cars may render them illegal for use on public highways.
- RENAULT SPORT parts intended for competition use could modify the standard specification of road vehicles, as specified by the component authorities governing the technical roadworthiness of vehicles ("mines"). This applies to factors such as noise, pollution, tyre sizes, performance, etc.

## Notes

- Competition parts cannot be returned or exchanged.
- Pricing of parts distributed by RENAULT SPORT is reviewed periodically. Please refer to the date of the part prices catalogue.



Reference: 7711154999  
Date: 06/07/2015



**PARTS ALPHABATIC INDEX**

Description	Boards	Description	Boards	Description	Boards
A Accelerator cable	12.10	Belleville washer ép:2	21.50	Button head socket screw M8-30	31.10
Accelerator pedal	37.00	BHS Bolt m4-10 cl.10/9	12.10		37.00
Accelerator pedal Assembled	37.00		42.00	C Cablage chassis	88.00
Accouplement élastique équipé	21.60	BHS Bolt M5-12	42.00	Cablage connect. Transpon	88.00
Adaptateur passe cloison	20.00		42.10	Cablage démarreur	88.00
advance shim	21.40		43.00	Cablage masse / batterie	88.00
Aimant	21.20	BHS Bolt M5-20	40.00	Cablage volant	88.00
Air box	12.10	BHS Bolt M5x12 cl.8.8 brut zn	21.20	Cablage XAP	88.00
Air deflector	40.00	BHS Bolt M8-45	37.00	Cabl cp de poing- extinct.	88.00
Air filter	12.10	Bidon récupérateur	19.00	Cable de frein	37.00
Alternator	15.44	Biellette	33.10	Cache feu AR	41.10
Anchor nut	40.00	Biellette tirant	31.10	Cache tête	21.60
	40.10	Biellette tirant assemblé	31.10	Calculateur SRAE	17.00
Anneau	42.00	Blanking plug	11.04		88.00
Anneau Seeger ext. Ø30	21.40		12.54	Cale de maintien capteur	10.75
Anti roll bar 13 mm	34.00	Bloc de fermeture de commande	21.60	Cale de moyeu	31.00
Anti roll bar 15 mm	34.00	Boîtier relais XAP	88.00		33.00
Anti roll bar 17 mm	34.00	Boîtier XAP coupe batterie	88.00	Cale Nylon	36.00
Arbre de transmission	10.75	Bolt-Pulley	10.75	Caliper Front LH	31.00
	29.00	Bonnet	40.10	Caliper Front RH	31.00
Arbre primaire équipé	21.30	Bracket	15.44	Caliper Rear LH	33.00
Arrêtoir côté gauche et droit	21.60		19.50	Caliper Rear RH	33.00
Articulation roue	31.00		32.00	Cannule de secondaire	21.20
Articulation triangle	33.10		34.00	Canon filté	19.80
Attache coiffe	40.10		40.00	Cap	11.04
Attache suspension	31.10	@Brake disc	31.00		19.00
Axe basculeur	32.00		33.00		21.20
Axe de renvoi externe	21.70	Brake pedal	37.00		19.30
Axe de satellite	21.50	Brake pedal assembled	37.00	Cap head screw M10-35 CL/10.9 Zn	21.60
Axe moyeu "pas à gauche"	31.00	Bras rallonge	56.20	Capuchon étanche	88.00
	33.00	Breather hose	19.00	Carte électron press. huile	88.00
Axe pédalier	37.00	Bretelle adaptation SRAE	17.00	Carter bache	21.20
Axe porte moyeu	31.00		88.00	Carter nez de BV	21.20
Axe réglage M.C.	20.00	Bride de potentiomètre	21.60	Carter principal BV	21.20
	37.40	Bush	19.80	Central wood	42.10
B			36.00	Centreur moteur	19.80
Bague cuivre	36.00	Butée de pédale	37.00	Chape triangle	31.10
Bague nylon	19.30	Butée hydraulique	20.00	Chassis	40.00
Bague téflon	19.30	Butterfly housing	12.10	Chassis bib	40.00
Balancier supérieur	34.00	Button head socket screw M3-20	31.10	Cheminée D	43.00
Balancier supérieur assemblé	34.00	Button head socket screw M4-16	40.00	Cheminée G	43.00
Ball	37.00	Button head socket screw M5-10	40.00	CHS Bolt M10-25	38.00
Ball bearing 6005	21.20		42.00	CHS Bolt M10-60	31.00
Ball bearing 61908	21.60		42.10		33.00
Barrel	21.60	Button head socket screw M5-15	42.10	CHS Bolt M10-65	19.80
Battery	88.00	Button head socket screw M5-16	40.00	CHS Bolt M10-80	19.80
Battery 17 A -1ère génération	88.00		41.10	CHS Bolt M10x150-35	15.44
Battery cache	57.00		42.00	CHS Bolt M10x30 cl.10.9 brut zn	21.20
Bearing	10.65		41.10	CHS Bolt M10x40 cl.10.9 brut zn	21.20
	21.70	Button head socket screw M6-14	41.10	CHS Bolt M5-10	10.75
	32.00	Button head socket screw M6-20	42.10		17.00
Belleville washer ép:1.6	21.50	Button head socket screw M6-35	31.10		43.00
Belleville washer ép:1.85	21.50		40.10		

**PARTS ALPHABATIC INDEX**

Description	Boards	Description	Boards	Description	Boards
CHS Bolt M5-12	10.75	Clutch pedal	37.00	Déflexeur roue ARD	43.00
CHS Bolt M5-12 Zn	21.20	Clutch pedal Assembled	37.00	Déflexeur roue ARG	43.00
	21.60	Clutch shaft	21.30	Dérive centrale extracteur	42.10
CHS Bolt M5-16	37.00	Coiffe fix. poulie	10.75	Dérive D aile AR	41.10
	42.00	Coiffe poulie	10.75	Dérive D aile AV	41.00
CHS Bolt M5-18 cl 12.9 brut zn	15.44	Coil HT	17.00	Dérive de flap	41.00
	29.00	Coil loom	17.00	Dérive ext. D extracteur	42.10
CHS Bolt M5-30 Zn	21.60	Coll. réparation MC AR 3/4	37.40	Dérive ext. G extracteur	42.10
CHS Bolt M5-55-24	37.00	Coll. réparation MC AV 5/8	37.40	Dérive G aile AR	41.10
CHS Bolt M6-10	21.25	Collar screw	11.04	Dérive G aile AV	41.00
CHS Bolt M6-16	10.75		12.10	diffuser	42.10
CHS Bolt M6-20	15.44	Collar screw Hexagonal M6-20	11.04	Disc-Smooth	21.50
CHS Bolt M6-20 Zn	21.60	Collar screw Hexagonal M6-25	12.54	Double frictions d'embrayage	20.00
CHS Bolt M6-30	12.54	Collar screw Hexagonal M6-50	11.04	Double lip seal Ø20x30x7	21.20
CHS Bolt M6-35-25	31.10	Collar screw Hexagonal M6-70	11.04	Double lip seal Ø25x47x7	21.20
	36.00	Collar screw M6-16	12.54	Double ratchet	21.60
	38.00	Collect. joint injecteur	12.54	Douille à aiguille HK 2020	21.60
	42.00	Collecteur admission	12.10	Dowel	21.25
CHS Bolt M6x25 cl:12.9	21.50	Collection raccords	12.54	Dowel pin	15.44
CHS Bolt M7-20 cl 10.9 brut	20.00	Collection rotule	36.00		21.20
	21.60	Collection support colonne	36.00	Dowel pin Ø12x15	21.20
CHS Bolt M7-30	21.40	Collier serrage Ø26-38	19.00	Drive belt	15.44
CHS Bolt M7x16 cl 10.9 brut zn	21.70	Coll réparation 7/10"	20.00	Drivershaft joint	29.00
CHS Bolt M7x25 cl.8.8 brut zn	21.20	computer	17.00	Driveshaft stop	21.50
CHS Bolt M8-150-30	41.10		88.00	Dual rocker spring	21.60
CHS Bolt M8-20	33.10	Connector	88.00	Dzeus	43.00
	40.10	Convergent admission	12.10	E Ecran thermique cable	21.70
CHS Bolt M8-25	31.10	Copper washer 10x14x1	20.00	Ecrou amortisseur	32.00
CHS Bolt M8-30	19.80		37.40		34.00
	59.20	Copper Washer Ø10.2x17x1	21.60	Ecrou à riveter Ø5	42.00
CHS Bolt M8-35 cl.12.9	59.20	Copper washer Ø12x18 ép:1	21.20	Ecrou de MAR	21.60
CHS Bolt M8-35 cl 8.8 brut zn	21.70	Copper washer Ø14x20 ép:1mm	10.75	Ecrou fix.amortis.	34.00
CHS Bolt M8-40	15.44	Coupelle ressort	32.00	Ecrou frein DRHE M8	15.44
CHS Bolt M8-45	20.00		34.00	Ecrou frein Simmonds M6 6PH135M	12.10
CHS Bolt M8x25 cl 8.8 brut zn	21.20	Couple - 10x31	21.40	Ecrou tirette	90.00
	21.70		21.50	Elastique	43.00
Circlips	31.10	Coupleur prélèvement essence	12.54	Embout	10.75
	33.10		19.30		11.04
	34.00	Couvercle d'échappement	43.00	Embout basculeur	32.00
Circlips-ext. Ø12	21.70	Couvercle de support d'aile AV	41.00	Embout de rotule	37.00
Circlips-ext. Ø40	21.60	Crémaillère dir. ass.	36.00	Embout M.C.	37.40
Circlips-Interior Ø47	21.20	Crépine	10.84	Embout rotule	31.10
Circlips Ø24	29.00	Cric hydraulique AR	91.00		33.10
	33.00	Cric hydraulique AV	91.00		34.00
Circuit breaker 10amp	88.00	Crochet	42.00	Embout sortie eau	11.04
Circuit breaker 20amp	88.00	Cuvette roulement D130	21.20	Engine	10.04
Clamp	12.10		21.50	Engine cover	43.00
	19.00	D Dashboard	88.00	Engine speed sensor	17.00
	19.30	Déflexeur D aile AV	41.00	Entraineur potar	21.60
Clips Ø36	12.54	Déflexeur D ponton	42.00	Entrée d'air radiateur D	42.00
Clutch Master Cylinder 7/10"	20.00	Déflexeur G aile AV	41.00	Entrée d'air radiateur G	42.00
Clutch mechanism	20.00	Déflexeur G ponton	42.00	Entretoise axe inférieur	31.00

**PARTS ALPHABATIC INDEX**

Description	Boards	Description	Boards	Description	Boards
Entretoise support	19.50		42.00	Goupille Mécanindus Ø2x20	21.60
Equerre de fixation	40.00	Fork	21.60	Grease	29.00
	40.10	Fork rod	21.60	Grille protection entrée air	12.10
Equerre de flap	41.00	Friction disc	21.50	Guide de poussoir complet	21.60
Exhaust collar	19.50	Front Wing	41.00	Guide filtre	19.30
Exhaust manifold	19.50	Front wood	42.10	H Harnais (Hans)	59.20
Expansion tank	19.00	Fuel filter	19.30	H Bolt M10-20	19.80
Extension	32.00	Fuel pump loom	19.30	H Bolt M10x125-16 cl:12.9	21.50
	34.00	Fuel rail	12.54	Hose	19.00
	41.10	Fuel tank	19.30		19.30
Extention extracteur	42.10	Fuel Tin 10L	91.00	Hose Ø4x8 lg:1m	12.54
F FHS Bolt M5-12 cl 10.9	29.00	Fuel Tin 20L	91.00	Housing	21.50
FHS Bolt M5-15	40.00	G Gaitor	29.00	Housing superior	40.10
	41.10	Gasket-Butterfly housing	12.10	Hub axle	31.00
	42.10	Gearbox	21.00		33.00
FHS Bolt M6-15	19.30	Gear lever	21.60	Hub bearing	31.00
	42.10	Gear ratio 1-2 (12/34) (17/36) "médium"	21.30		33.00
FHS Bolt M6-20	41.10		21.40	I Indexeur complet	21.60
	42.10	Gear ratio 1ère 14dts (14/37) "long"	21.30	Injector	12.54
Filler cap	21.20		21.40	Inlet hose	34.00
fire extinguisher mounting	90.00	Gear ratio 2ème 18dts (18/35) "long"	21.30	Input shaft	21.30
Fitting	12.54		21.40	J Jeu de cale de M-AR	21.40
Fitting 306-08 M14	10.84	Gear ratio 3ème (16/29) "court"	21.30	Jeu de cales de réglage	36.00
Fitting 90°	21.20		21.40	Jeu de plaquettes Pagid bleu	31.00
Fitting AN815-12P	10.84	Gear ratio 3ème (18/28) "long"	21.30		33.00
Fitting M16x150	10.84		21.40	Joint collecteur admission	12.10
Fixation butée de pédale	37.00	Gear ratio 3ème (19/32) "médium"	21.30	Joint collecteur échap.	19.50
Fixation capot AV	40.10		21.40	Joint de réservoir	19.30
Fixation planche de bord	57.00	Gear ratio 4ème (18/27) "court"	21.30	Joint de vidange	21.20
Flange	10.75		21.40	Joint essence	19.30
	19.00	Gear ratio 4ème (20/28) "médium"	21.30	Joint répartiteur	12.10
	33.00		21.40	Joints de ponton	43.00
Flange-Limited slip differential	21.50	Gear ratio 4ème (21/27) "long"	21.30	Joint vis de purge	19.00
Flasque D	21.20		21.40	K Kit "Goodridge"	12.54
Flasque de joint spi	21.20	Gear ratio 5ème (20/22) "long"	21.30	Kit axe + écrou "pas à gauche"	31.00
Flasque G	21.20		21.40		33.00
Flexible aller/coupleur lg:145mm	12.54	Gear ratio 5ème (20/24) "médium"	21.30	Kit basculeur	34.00
	19.30		21.40	kit contacteur	21.60
Flexible aller essence lg:380mm	12.54	Gear ratio 5èmes (21/27) "court"	21.30	Kit-Fire Extinguisher	90.00
	19.30		21.40	Kit joints "bleu" étrier AV ou AR	31.00
Flexible coupling	10.75	Gear ratio 6ème (22/23) "médium"	21.30		33.00
Flexible embrayage	20.00		21.40	Kit joints "orange" étrier AV ou AR	31.00
Flexible freins AR	37.40	Gear ratio 6ème (23/26) "court"	21.30		33.00
Flexible freins AV	37.40		21.40	Kit joints roulement de roue	31.00
Flexible huile lg=150	10.84	Gear ratio 6ème (27/26) "long"	21.30		33.00
Flexible huile lg=500	10.84		21.40	Kit porte moyeu AVD	31.00
Flexible lg:480mm	12.54	Goujon fix. collecteur échappement	19.50	Kit porte moyeu AVG	31.00
	19.30	Goujon support M6-20	38.00	Kit raccord	21.20
Flexible MC vers freins AR	37.40	Goujon support moteur	19.80	Kit rapports courts	21.30
Flywheel	10.65		21.25		21.40
Flywheel screw	10.65	Goupille arrêt	31.00	Kit rapports longs	21.30
Foam	19.30		33.00		21.40

**PARTS ALPHABATIC INDEX**

Description	Boards	Description	Boards	Description	Boards
Kit screw-nut-sping	90.00	nut H FR M6	33.00	O ring Ø179.5x3	21.20
Kit soufflet coté roue	29.00		37.00	O ring Ø2.62x113.97	21.20
L Lambda probe	17.00		36.00	O ring Ø2x18	21.60
Left threaded wheel nut	31.00		38.00	O ring Ø30.3x2.4	21.60
	33.00	nut H FR M8	20.00	O ring Ø3x76	29.00
Lever gearshift	38.00		33.00	P Palier	10.75
lever knob	38.00		34.00	Passe cloison purge	20.00
Lever-Reverse gear	21.60		37.40	Pedal pad	37.00
LH Front flap	41.00	Nut HM16	31.10	Permaglide bush	21.20
LH sidepod	43.00		33.10	Petite vis support Hans	59.20
Lip seal Ø76x100x10	21.20	Nut HM3 Nylstop	31.10	Pied de colonne	36.00
Lip seal Ø8x18x5	21.60	nut H M5	57.00	Pivot pin-Reverse lever	21.60
Locking cable-Reverse gear	21.70	Nut HM6 Nylstop	31.10	Plain washer M5 brut	21.20
Logement cales	32.00		32.00	Plain washer Ø12-22	33.10
Longue vis support Hans	59.20		33.10	Plain washer Ø13-22	33.00
M Mamelon	10.75		34.00	Plain washer Ø4-8	40.00
Manchon essence	19.30		36.00	Plain washer Ø5x19 ép:3	42.00
Master Cylinder Front 5/8	37.40	Nut HM8	20.00	Plain washer Ø6x12	32.00
Master Cylinder Rear 3/4	37.40		34.00		33.10
Modin	10.75		37.00		34.00
Modin to radiator pipe	10.75		37.40		36.00
Molette de cable	37.00		36.00		38.00
Mouette de becquet AR	41.10	Nut HM8 Nylstop	31.10		40.00
Moulding	19.50		33.10		40.10
Mounting bracket-filter	10.75		36.00		42.10
Mounting bracket-inferior	19.80	Nut M10	19.80	Plain washer Ø8x16	31.10
Mounting-Expansion tank	19.00		21.25		32.00
Mounting-lever	38.00	Nut M12	34.00		37.00
Mousse batterie	57.00		38.00	Planche de bord	57.00
Moyenne vis support Hans	59.20	Nut M6	20.00	Plancher AV	42.00
Moyeu rapide	36.00		37.00	Planétaire creux	21.50
Moyeu roue	31.00		38.00	Planet gear	21.50
	33.00	Nut-Mainshaft	21.40	Plaque basculeur	32.00
N Needle roller bearing	21.20	Nut-SIMMONDS M12	33.10	Plaque D réglage aileron AR	41.10
	34.00	Nut-SIMMONDS M5	40.00	Plaque étanchéité boîte à air	12.10
	36.00		42.00	Plaque G réglage aileron AR	41.10
Nosebox	40.10		42.10	Plaque réservoir	19.30
Nose tip	40.10		43.00	Plaque support lest	57.00
Nut	12.10	Nut-SIMMONDS M6	12.10	plate	21.25
	32.00		31.00		33.00
	34.00		41.10	Plateau intermédiaire	20.00
	37.00		57.00	Plateau presseur	20.00
	36.00	Nut-SIMMONDS M8	31.00	Platine support	12.10
	38.00		33.00	Pompe à essence	19.30
	40.00		41.10	Pot catalytique	19.50
	42.00	Nut-underneath HM8	19.50	Potentiometer	12.10
nut FIH M10	15.44	O Oil filler cap	12.54		21.60
nut H 3/8" pas à gauche	31.10	O Oil filter	10.75	Potentiometer support	21.60
	33.10	O Oil seperator	12.54	Poulie pompe à eau	11.04
nut H FR M12	31.00	o ring	12.54	Poulie ppe à huile arbre Ø12	10.75
	33.00	O ring	10.75	Poulie ppe à huile arbre Ø17	10.75
nut H FR M4	12.10	O ring Ø10x2.5	21.60	Poussoir cliquet double	21.60

**PARTS ALPHABATIC INDEX**

Description	Boards	Description	Boards	Description	Boards
Powershift shim	21.60	Rocker-Reverse gear	21.60	Screw HM8-50-10	32.00
Pressure regulator 3,5 bars	12.54	Rod end bearing	34.00	Screw HM8-70	32.00
Puits de jauge	19.30		38.00	Screw HM8-70-25	33.00
pull control	90.00	Rod end bearing superior	31.10	Screw M4-10	32.00
Purge	20.00	Rod end bearing-UNIBAL	31.10	Screw M5-12	42.00
	31.00		33.10		42.10
	33.00	Roller bearing	21.30	Screw m5-25 10.9	38.00
push-pull cable	21.70		21.40	Screw M6-16	40.00
Push-pull stop	21.70	Rondelle à encoches	21.40		40.10
R Raccord coudé	21.20	Rondelle laiton Ø10-21	34.00		57.00
Raccord de mise à l'air	21.20	Roue de M-AR + jeux de cales	21.40		90.00
Raccord essence	19.30	Roulement à aiguille	21.40	Screw M6-20	19.00
Raccord filtre à huile	10.75	Roulement butée	20.00		32.00
Radiator	19.00	Roulement butée aiguilles	34.00		33.10
Radiator Bracket	42.00	Roulement conique M88048	21.40		34.00
Rallonge faisceau potentiomètre à adapter à 7711154100 pour moteur 2004	88.00	S Screw	15.44		40.00
Rallonge SAV alternateur	15.44		19.00	Seal	10.75
Rapport 1-2 (12/36) (16/36) "court"	21.30		19.50		10.84
	21.40		31.00		11.04
	21.40		31.10		19.00
Rear aerofoil inferior	41.10		32.00		21.20
Rear aerofoil superior	41.10		33.00		19.30
Rear light	41.10		34.00		36.00
Rear spoiler	41.10		37.00		42.00
Rear wood	42.10		19.30	Seal mounting plate	29.00
Réglage tirant	31.10		36.00	Seal Ø10	11.04
	33.10		38.00	Seal Ø6x10 ép:0.5	12.54
Régleur de flap D	41.00		40.00	Secure rollcage	40.10
Régleur de flap G	41.00		40.10	Selecting rod	21.60
Réhausse réservoir	37.40		41.10	Selector bolt	21.60
Renvoi externe	21.70		42.00	Selector spring	21.60
Repair kit	36.00		42.10	Serrated washer Ø17-24	32.00
Repair kit 4 roulements pour palier 154240	10.75		43.00	Set brake pads Ferodo 4003F	31.00
Repair kit stop	20.00		57.00		33.00
Ressort d'indexage	21.60	Screw AN4-14A	31.10	Shaft	33.00
Ressort piston Grand Ø	31.00		32.00		37.40
	33.00		34.00		36.00
Ressort piston Petit Ø	31.00	Screw H10x150-40	15.44		43.00
	33.00	Screw Hc M3-6 bout cuvette	21.60	Shim	21.20
Retaining bracket	42.00	Screw Hc M7x100-8	21.60	Shim 0.3mm	33.10
Retaining clip-Injector	12.54	Screw Hc M8x25 à bout plat cl 8.8	21.60	Shim 0.5mm	33.10
Retaining seal	43.00	Screw HM6-12	42.10	Shim 1mm	33.10
Retouche vis Hc M8x16 cl 8.8	21.60	Screw HM6-30-12	31.10	Shim 1 mm	31.00
Rétro.D bras court	56.20		32.00	Shim 2 mm	31.00
Rétro.D bras rallongé	56.20		33.10	Shock absorber Front assembled	32.00
Rétro.G bras court	56.20	Screw HM6-35-10	36.00	Shock absorber LH assembled	34.00
Rétro.G bras rallongé	56.20	Screw HM6-50	31.00	Shock absorber RH assembled	34.00
Return reverse gear	21.60	Screw HM6-70	31.00	Shouldered bush	21.40
reverse gear wheel 40dts	21.40	Screw HM8-110-25	33.00		21.60
RH Front flap	41.00	Screw HM8-30-12	31.10	Shouldered bush 1ère	21.40
RH sidepod	43.00		33.10	Silencer	19.50
Rocker	32.00		36.00	Silentbloc	19.00

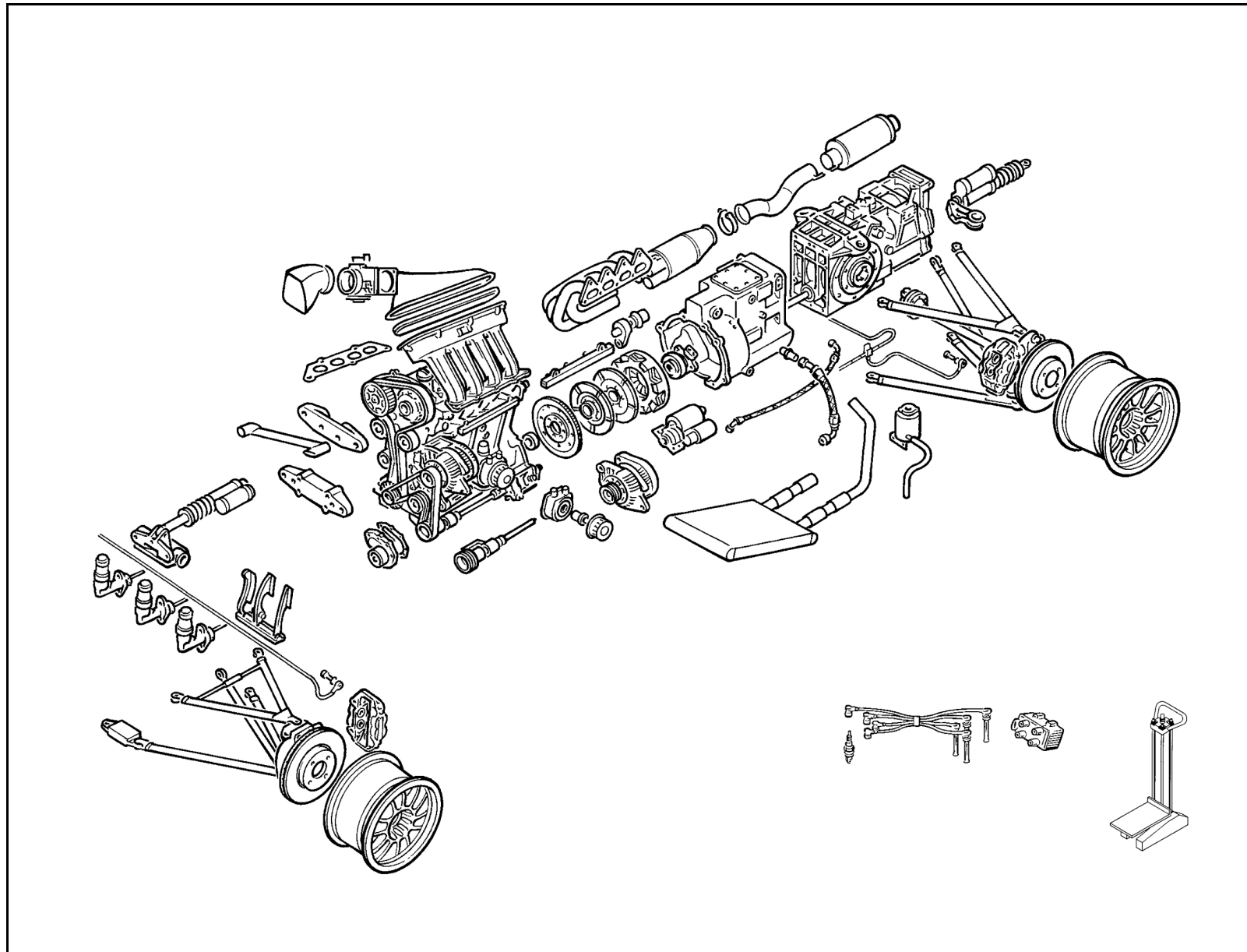
**PARTS ALPHABATIC INDEX**

Description	Boards	Description	Boards	Description	Boards
Sliding ring	21.40	Stud M12-95	34.00	Tirant aile ARG	42.10
Solenoid	15.44	Stud M5-24	12.10	Tirant D	42.10
Spacer	12.10	Stud M6-18	12.10	Tirant de plancher	40.00
	12.54	Stud M6-24	33.00	Tirant G	42.10
	19.80	Stud M6-47	36.00	Tirant rotule lg:53mm	34.00
	20.00	Stud M8-54	34.00	Tirant rotule lg:63mm	34.00
	32.00	Stud M8-70	20.00	Tirant support	19.80
	33.10		33.00	Tirette MAR	57.00
	34.00		37.40	Tôle fermeture intérieure	21.20
	37.00	Sump plug	21.20	Tôle fermeture supérieure	21.20
	37.40	Sump plug- Magnetic insert	21.20	Top engine beam	19.80
	38.00	Support aile AV	41.00	Trama pression huile	10.75
	40.00	Support aileron AR	41.10		17.00
	41.10	Support amortisseur	32.00	Trappe chassis	40.00
	42.10	Support anti roll-bar	34.00	Trappe réservoir	40.00
	57.00	Support attache	40.10	Tripode	29.00
Spacer 1 mm	33.00	Support biellette	31.00	Tuy. départ press. huile lg=150	10.75
Spacer 2 mm	33.00	Support cable	37.00	Tuy. départ press. huile lg=260	10.75
Spacer 8-10	15.44	Support cable levier	38.00	Tuyau Alimentation butée	20.00
Spacer-Primary shaft	21.30	Support colonne	36.00	Tuyau échappement	19.50
Spacer Ø25x35 ép:0,7mm	12.54	Support compteur	36.00	Tuyau fluide étrier AV et AR	31.00
Spark plug NGK PFR6E-10	17.00	Support D	40.00		33.00
Spring	19.50		42.00	Tuyau pompe / filtre	10.75
	33.00	Support D d'aileron	41.10	Tuyau pompe à carburant lg:450mm	19.30
	37.00	Support de flap D	41.00	Tuyau réaspiration bas moteur	10.84
Spring 1000 ib/in	32.00	Support de flap G	41.00	U Union bolt	20.00
	34.00	Support déflecteur de roue AR	42.10		37.40
Spring 1100 ib/in	32.00	Support démarreur AR	15.44	Upright-Front LH	31.00
	34.00	Support démarreur AV	15.44	Upright-Front RH	31.00
Spring 1200 ib/in	32.00	Support D plancher	42.10	Upright-Rear	33.00
	34.00	Support G	40.00	V Valve sécurité	19.30
Spring 700 ib/in	32.00		42.00	Vis arbre primaire	21.30
	34.00	Support G d'aileron	41.10	Vis CBHC M6-16	12.10
Spring 800 ib/in	32.00	Support G plancher	42.10	Vis CBHC M8-16	40.10
	34.00	Support inf. déflecteur	42.00	Vis purge	19.00
Spring 900 ib/in	32.00	Support inf. de nez	40.00	W Washer	19.50
	34.00	Support moyen	33.00		19.80
starter motor	15.44	Support pédalier	37.00		21.25
Starter motor nut	15.44	Support platine	12.10		31.10
Steering column	36.00	Support pompe essence	19.30		33.00
Steering tierod	36.00	Support puits de jauge	19.30		34.00
Steering wheel	36.00	Support régulateur pression essence	12.54		37.00
Stud	12.10	Supports harnais HANS	59.20		40.10
	19.80	Support sup. déflecteur	42.00		41.10
	21.25	Support sup. de nez	40.10		42.00
	31.00	Support triangle	33.10		59.20
	33.00	Switch mounting	21.40		90.00
	34.00	T	15.44	Washer-Onduflex Ø4	12.10
	37.00	Tendeur	37.00	Washer-Onduflex Ø5	41.10
	42.00	Téton	21.60		42.00
Stud M10-45	38.00	Thrust washer	33.10		42.10
Stud M12-60	33.10	Tirant	42.10	Washer-Onduflex Ø6	12.10
		Tirant aile ARD			

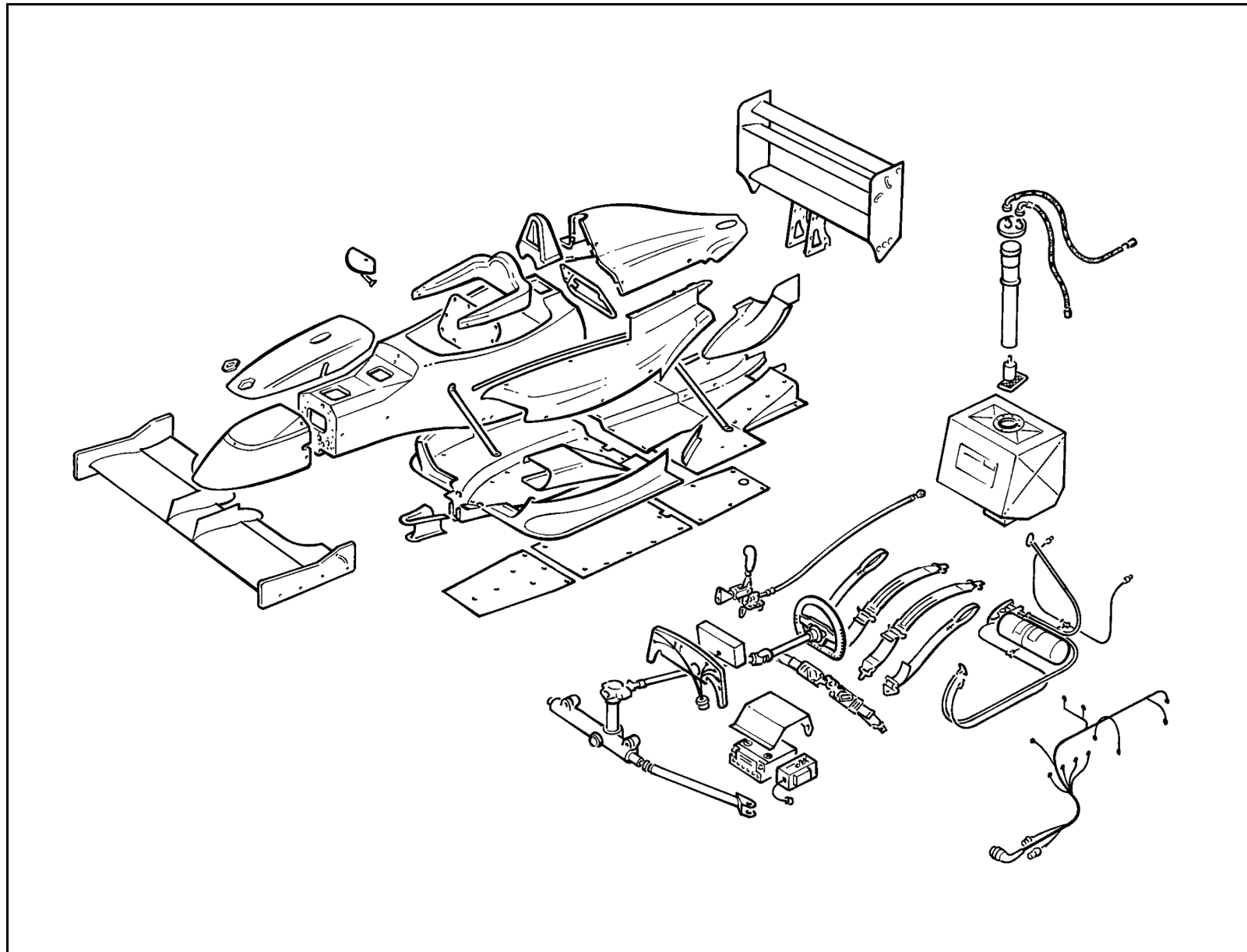


**PARTS ALPHABATIC INDEX**

Description	Boards	Description	Boards	Description	Boards
	19.00				
	32.00				
	37.00				
	38.00				
	40.10				
	41.10				
	42.00				
	42.10				
	57.00				
Washer Stop	15.44				
Washer Ø5	34.00				
	40.00				
	43.00				
Washer Ø6x13 ép:3	31.10				
	33.10				
	40.00				
Washer Ø6x18	19.00				
	36.00				
	40.00				
	57.00				
	90.00				
Washer Ø6x20 ép:4	42.10				
Washer Ø8x14	31.10				
	33.10				
Water outlet housing	11.04				
Water pump	11.04				
Water pump seal	11.04				
Water temperature sensor	11.04				
	17.00				
Wheel Front	31.00				
Wheel nut	31.00				
	33.00				
Wheel Rear	33.00				
Window winder-Front	91.00				
Window winder-Rear	91.00				
Wiring loom-Dashboard	88.00				
Wiring loom-Engine 2000-2003	88.00				
Wiring loom-Engine 2004	88.00				
Wishbone inferior LH	33.10				
Wishbone inferior LH assembled	31.10				
Wishbone inferior RH	33.10				
Wishbone inferior RH assembled	31.10				
Wishbone superior	31.10				
	33.10				



Mechanical - juin-2007



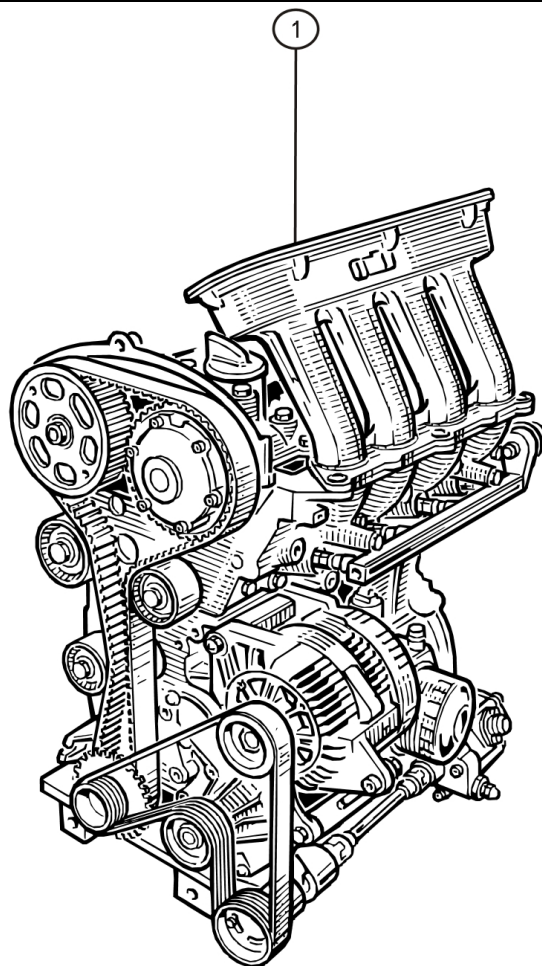
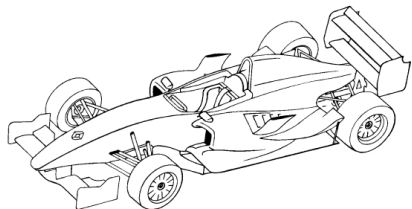
Bodywork - juin-2007



**2.0**

**FORMULA  
RENAULT 2.0**

**10.04**



Rep.	Reference	Description	Coef
1	77 11 154 966	Engine	1



RENAULT SPORT

sept.-2006



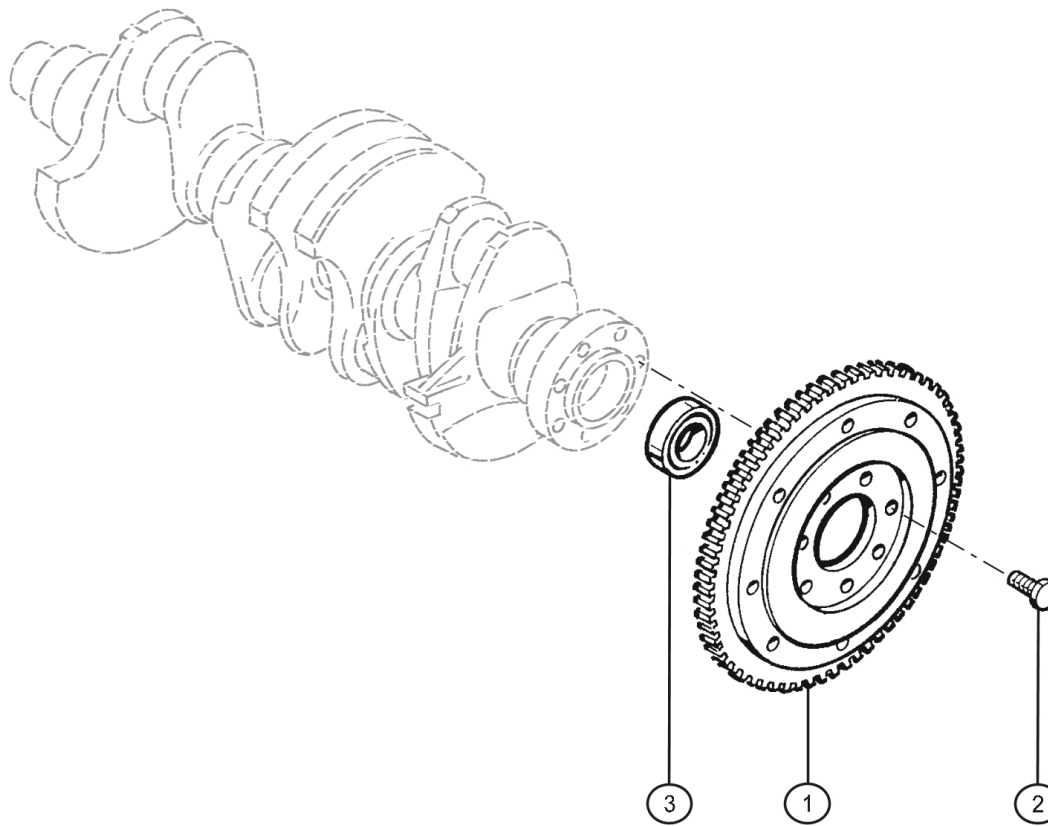
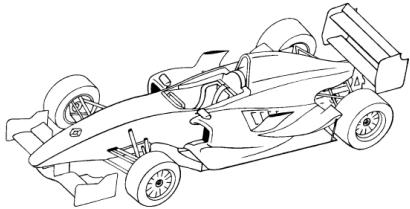
RENAULT



**2.0**

**FORMULA  
RENAULT 2.0**

**10.65**



Rep.	Reference	Description	Coef
1	77 11 154 108	Flywheel	1
2	77 11 154 202	Flywheel screw	7
3	77 03 090 115	Bearing	1



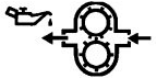
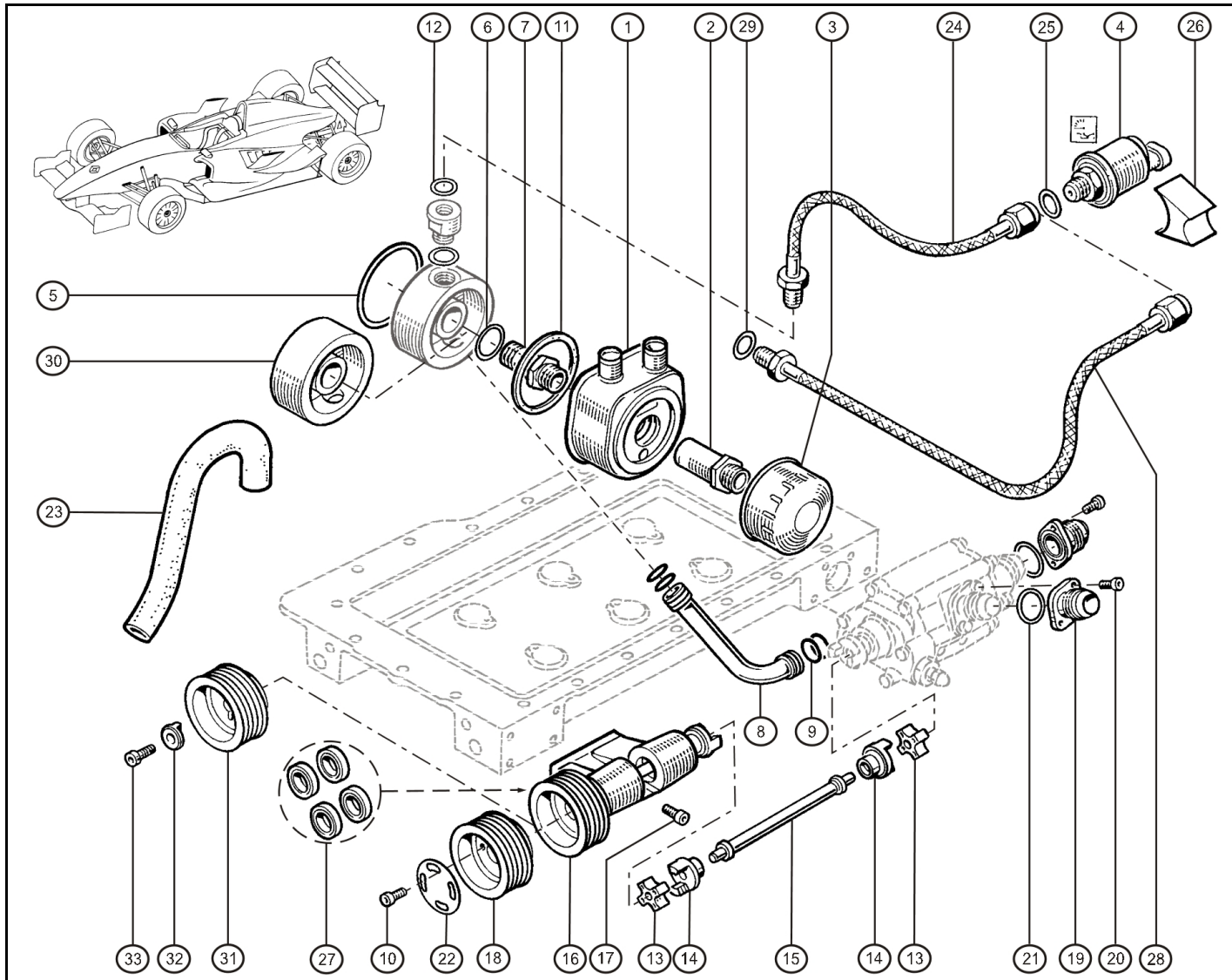
RENAULT SPORT

janv.-2005



RENAULT

10.65

**2.0****FORMULA  
RENAULT 2.0****10.75**

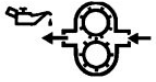
Rep.	Reference	Description	Coef
1	77 11 150 688	Modin	1
2	77 00 748 231	Raccord filtre à huile	1
3	82 00 033 408	Oil filter	1
4	77 11 153 990	Trama pression huile	1
5	77 11 154 245	O ring	1
6	77 11 154 246	O ring	1
7	77 11 154 243	Mamelon	1
8	77 11 154 229	Tuyau pompe / filtre	1
9	77 11 154 230	O ring	1
10	77 11 051 249	CHS Bolt M5-10	1
11	77 00 709 470	Seal	1
12	77 11 154 198	Seal	1
13	77 11 154 227	Flexible coupling	1
14	77 11 154 235	Flange	1
15	77 11 154 236	Arbre de transmission	1
16	60 00 072 492	Palier	1
17	77 11 158 344	CHS Bolt M6-16	1
18	77 11 154 242	Poulie ppe à huile arbre Ø17	1
19	77 11 154 239	Embout	1
20	77 11 050 730	CHS Bolt M5-12	1
21	77 11 150 031	O ring	1
22	77 11 154 241	Coiffe fix. poulie	1
23	77 11 154 249	Modin to radiator pipe	1
24	77 11 154 264	Tuy. départ press. huile lg=150	1
25	77 11 154 265	Seal	1
26	77 11 154 266	Cale de maintien capteur	1
27	77 11 154 272	Repair kit 4 roulements pour palier 154240	1
28	77 11 154 289	Tuy. départ press. huile lg=260	1
29	77 11 050 940	Copper washer Ø14x20 ép:1mm	1
30	77 11 154 293	Mounting bracket-filter	1
31	77 11 154 290	Poulie ppe à huile arbre Ø12	1
32	77 11 154 291	Coiffe poulie	1
33	77 11 154 292	Bolt-Pulley	1



déc.-2007



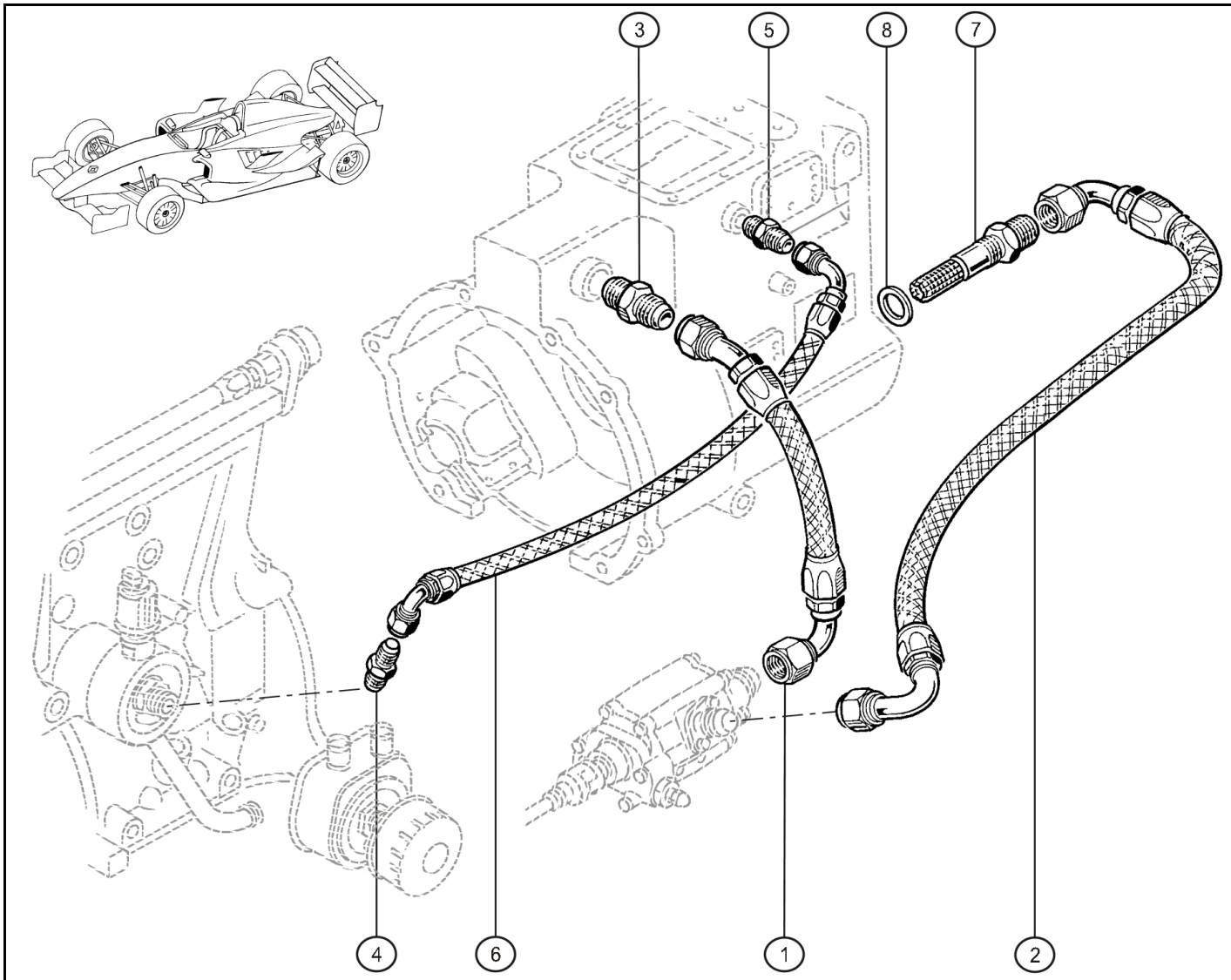
RENAULT SPORT



**2.0**

**FORMULA  
RENAULT 2.0**

**10.84**



Rep.	Reference	Description	Coef
1	77 11 154 158	Flexible huile lg=150	1
2	77 11 154 159	Flexible huile lg=500	1
3	77 11 154 189	Fitting AN815-12P	1
4	77 11 154 193	Fitting 306-08 M14	1
5	77 11 156 563	Fitting M16x150	1
6	77 11 154 192	Tuyau réaspiration bas moteur	1
7	77 11 154 940	Crépine	1
8	77 11 154 185	Seal	1



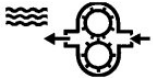
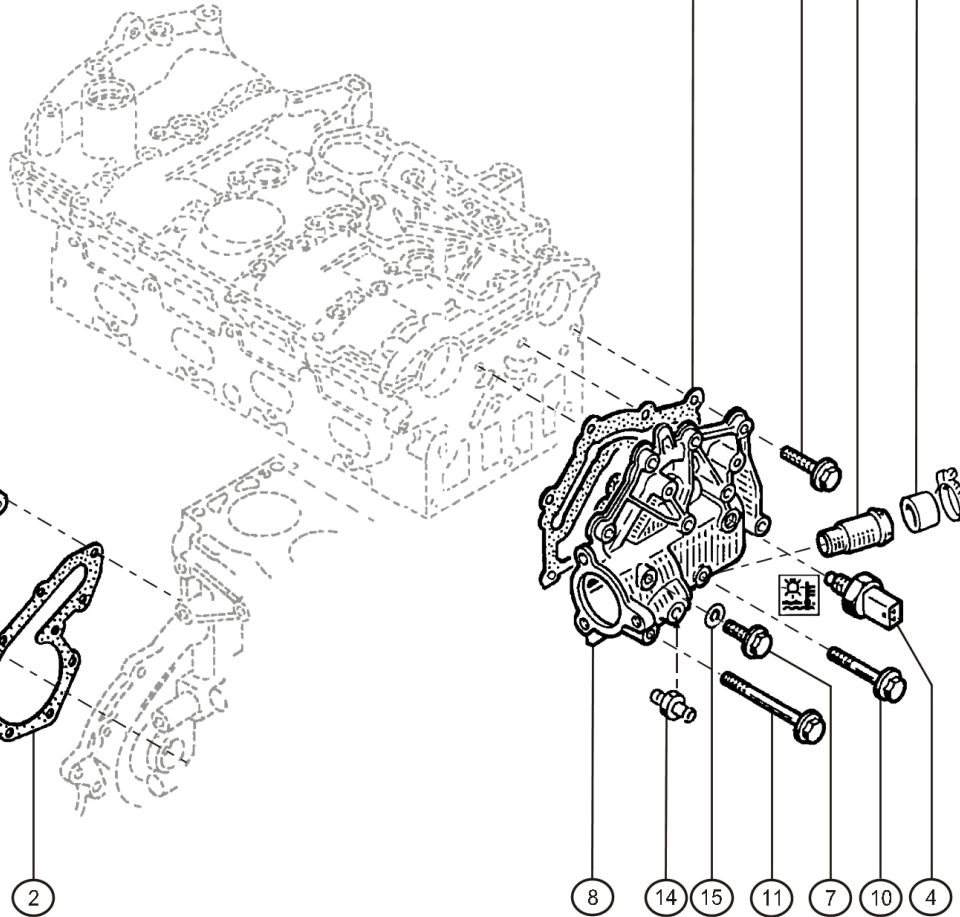
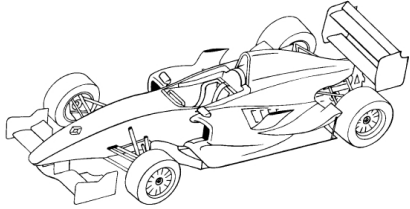
RENAULT SPORT

juin-2007



RENAULT

**10.84**

**2.0****FORMULA  
RENAULT 2.0****11.04**

Rep.	Reference	Description	Coef
1	77 01 473 365	Water pump	1
2	77 00 851 213	Water pump seal	1
3	77 11 154 231	Poulie pompe à eau	1
4	77 11 155 372	Water temperature sensor	1
5	77 03 002 480	Collar screw	1
6	77 00 107 192	Seal	1
7	77 11 154 295	Cap	1
8	77 11 154 179	Water outlet housing	1
9	77 00 104 134	Embout sortie eau	1
10	77 03 002 276	Collar screw Hexagonal M6-50	1
11	77 03 002 182	Collar screw Hexagonal M6-70	1
12	77 03 074 234	Blanking plug	1
13	77 03 002 039	Collar screw Hexagonal M6-20	1
14	77 11 154 248	Embout	1
15	77 11 154 296	Seal Ø10	1

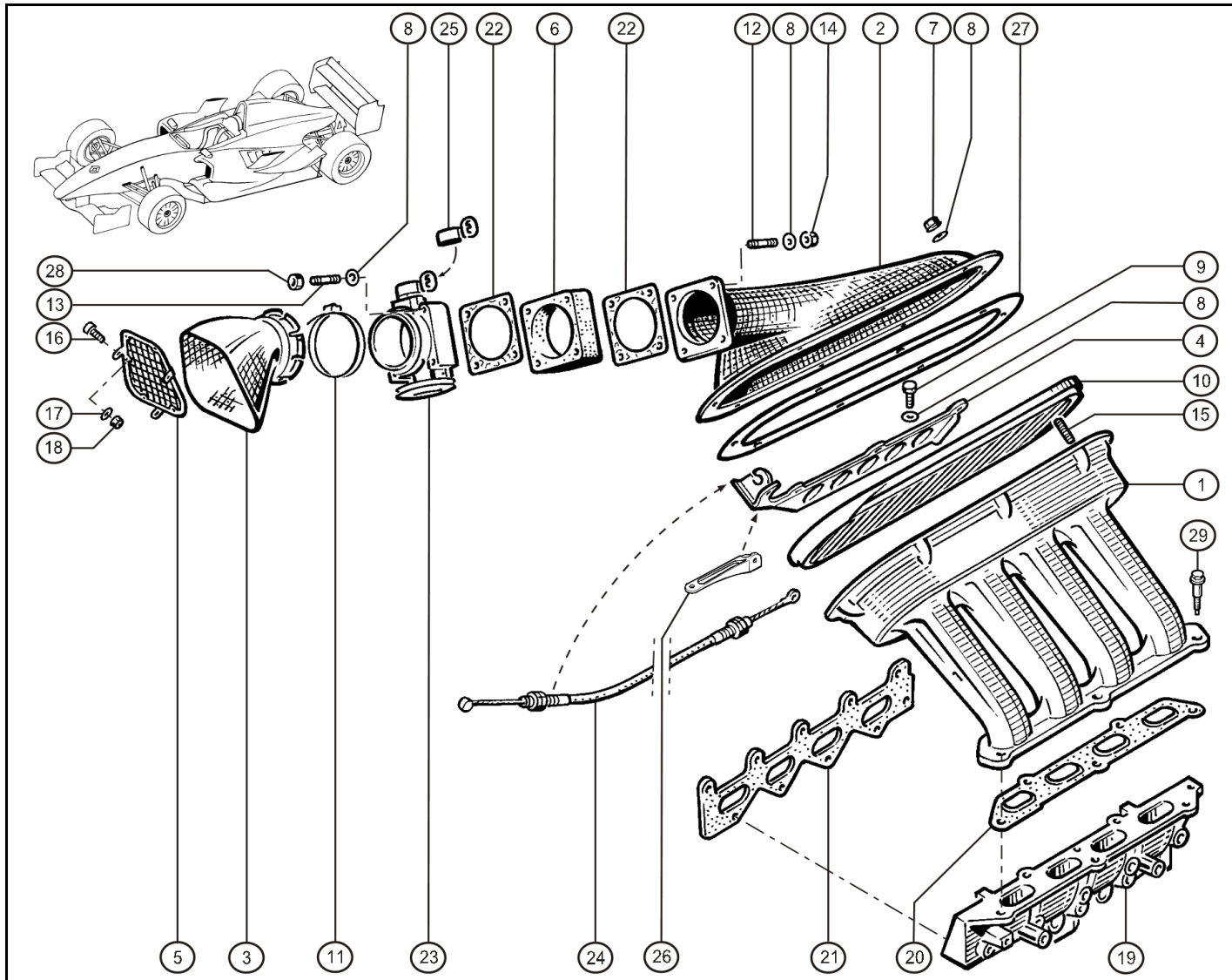


juin-2007



RENAULT SPORT



**2.0****FORMULA  
RENAULT 2.0****12.10**

Rep.	Reference	Description	Coef
1	77 11 154 844	Collecteur admission	1
2	77 11 163 145	Air box	1
3	77 11 154 846	Convergent admission	1
4	77 11 154 847	Platine support	1
5	77 11 154 848	Grille protection entrée air	1
6	77 11 154 849	Spacer	1
7	77 11 154 323	Nut-SIMMONDS M6	1
8	77 11 154 787	Washer-Onduflex Ø6	1
9	77 11 154 325	Vis CBHC M6-16	1
10	77 11 154 850	Air filter	1
11	77 11 154 851	Clamp	1
12	77 11 154 852	Stud M6-18	1
13	77 11 154 347	Stud	4
14	77 11 051 326	Ecrou frein Simmonds M6 6PH135M	1
15	77 11 154 853	Stud M5-24	1
16	77 11 154 333	BHS Bolt m4-10 cl.10/9	1
17	77 11 154 334	Washer-Onduflex Ø4	1
18	77 11 154 335	nut H FR M4	1
19	77 11 155 542	Collecteur admission	1
20	77 00 114 203	Joint répartiteur	1
21	77 00 109 906	Joint collecteur admission	1
22	77 11 155 380	Gasket-Butterfly housing	1
23	77 11 154 256	Butterfly housing	1
24	77 11 154 144	Accelerator cable	1
25	77 11 155 530	Potentiometer	1
26	77 11 154 882	Support platine	1
27	77 11 154 340	Plaque étanchéité boîte à air	1
28	77 11 154 348	Nut	4
29	77 03 002 053	Collar screw	1

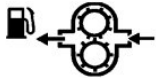
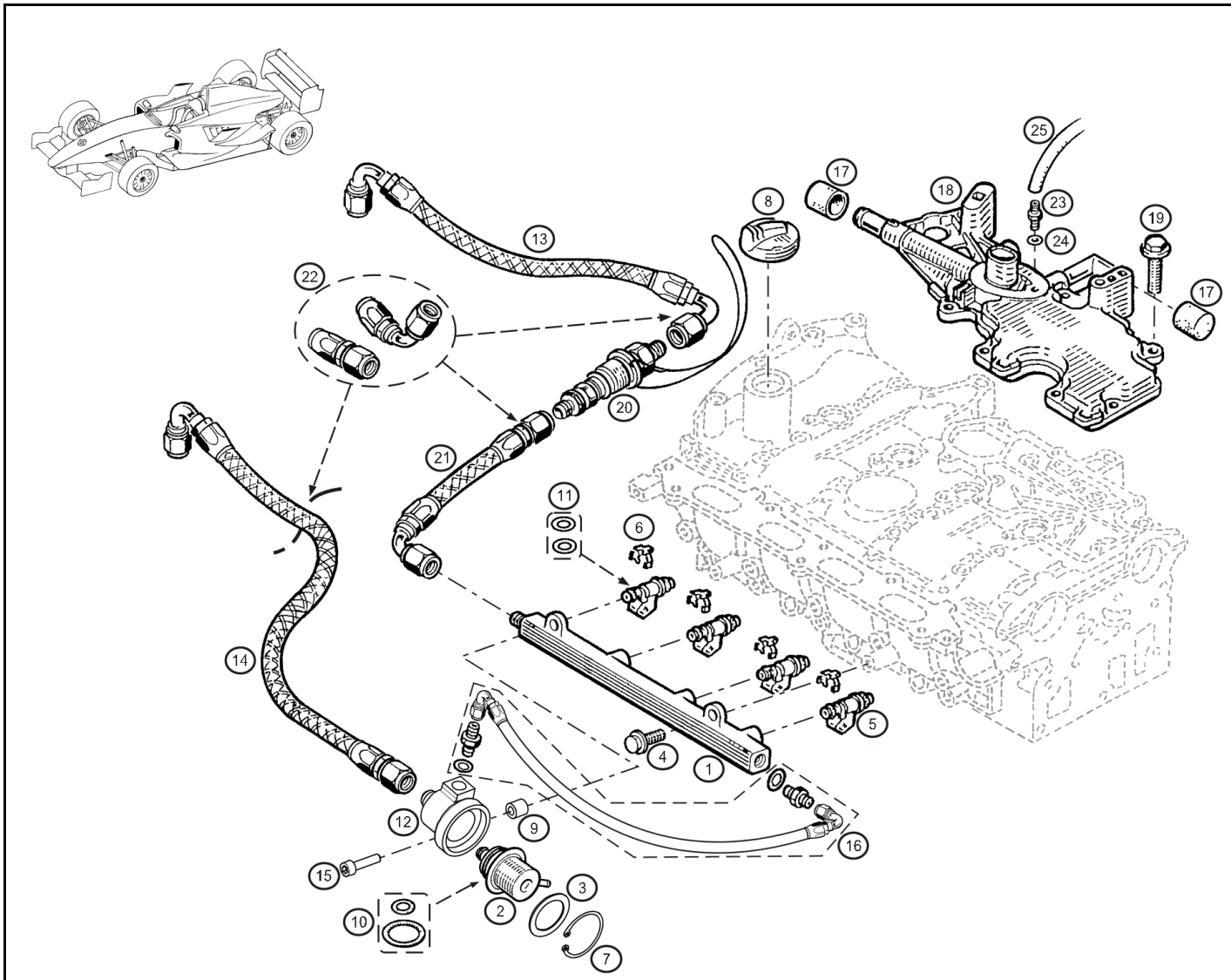


RENAULT SPORT

août-2008



RENAULT

**2.0****FORMULA  
RENAULT 2.0****12.54**

Rep.	Reference	Description	Coef
1	77 11 154 960	Fuel rail	1
2	77 11 156 269	Pressure regulator 3,5 bars	1
3	77 11 126 685	Spacer Ø25x35 ép:0,7mm	1
4	77 11 065 571	Collar screw M6-16	1
5	77 11 155 388	Injector	1
6	77 00 106 588	Retaining clip-Injector	1
7	77 11 068 408	Clips Ø36	1
8	77 00 111 741	Oil filler cap	1
9	77 11 154 932	Spacer	1
10	77 01 204 095	o ring	1
11	77 01 206 043	Collect. joint injecteur	1
12	77 11 154 930	Support régulateur pression essence	1
13	77 11 154 283	Flexible aller essence lg:380mm	1
14	77 11 154 959	Flexible lg:480mm	1
15	77 03 009 026	CHS Bolt M6-30	1
16	77 11 154 929	Kit "Goodridge"	1
17	77 03 074 125	Blanking plug	1
18	82 00 396 680	Oil seperator	1
19	77 00 107 882	Collar screw Hexagonal M6-25	1
20	77 11 154 997	Coupleur prélèvement essence	1
21	77 11 154 284	Flexible aller/coupleur lg:145mm	1
22	60 00 072 522	Collection raccords	1
23	77 11 154 318	Fitting	1
24	77 11 154 319	Seal Ø6x10 ép:0.5	1
25	77 11 154 320	Hose Ø4x8 lg:1m	1



avr.-2009



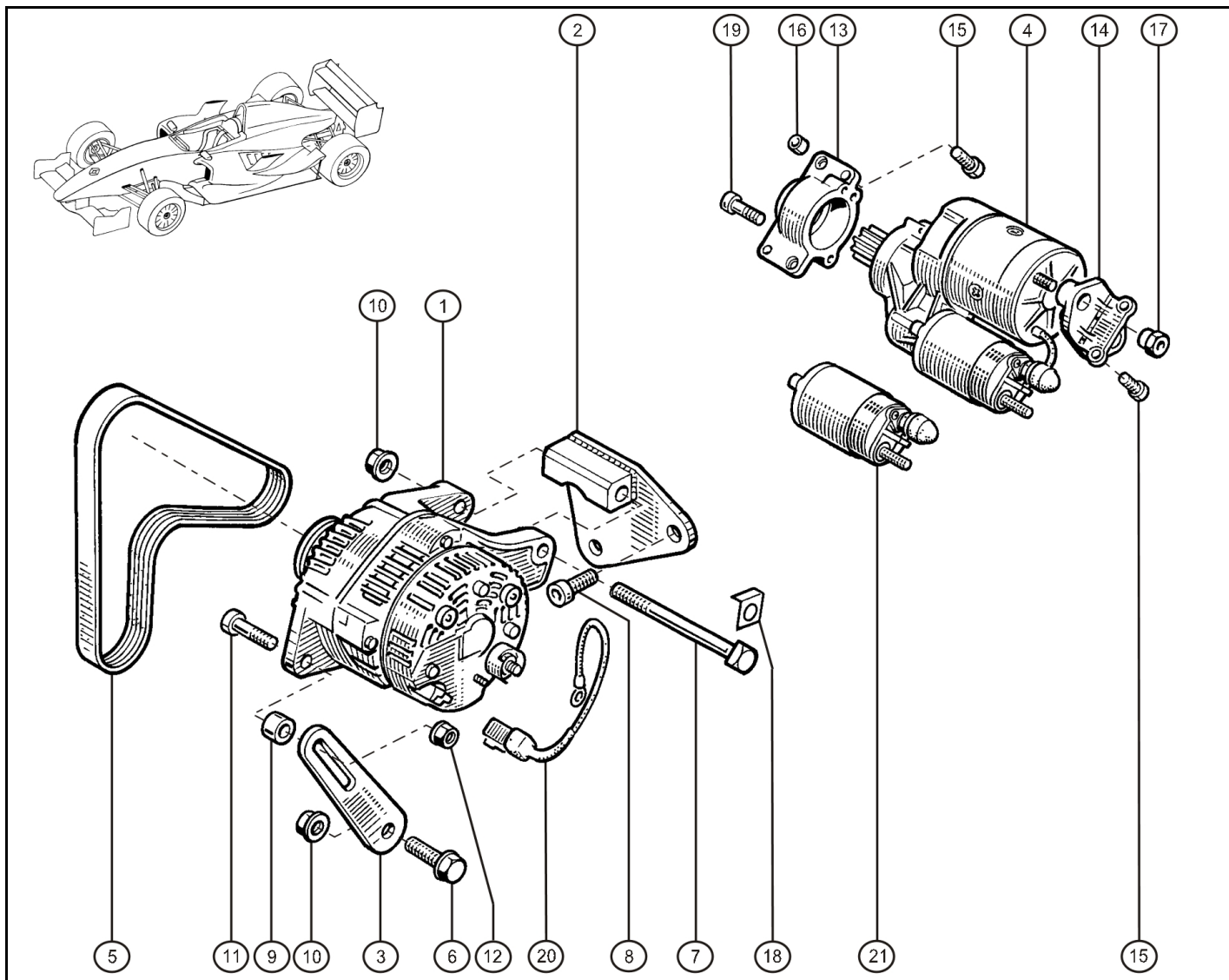
RENAULT SPORT



**2.0**

**FORMULA  
RENAULT 2.0**

**15.44**



Rep.	Reference	Description	Coef
1	77 11 154 258	Alternator	1
2	77 11 154 177	Bracket	1
3	77 11 154 178	Tendeur	1
4	77 11 154 218	starter motor	1
5	77 11 154 163	Drive belt	1
6	77 03 101 072	Screw H10x150-40	1
7	77 03 010 025	Screw	1
8	77 11 051 273	CHS Bolt M10x150-35	1
9	77 05 001 132	Spacer 8-10	1
10	77 03 034 177	nut FIH M10	1
11	77 11 051 264	CHS Bolt M8-40	1
12	77 03 034 131	Ecrou frein DRHE M8	1
13	77 11 154 141	Support démarreur AV	1
14	77 11 154 174	Support démarreur AR	1
15	01 00 301 007	CHS Bolt M6-20	1
16	01 00 085 982	Dowel pin	1
17	01 00 085 981	Starter motor nut	1
18	60 01 040 221	Washer Stop	1
19	01 00 301 079	CHS Bolt M5-18 cl 12.9 brut zn	1
20	77 11 154 269	Rallonge SAV alternateur	1
21	77 11 154 306	Solenoid	1

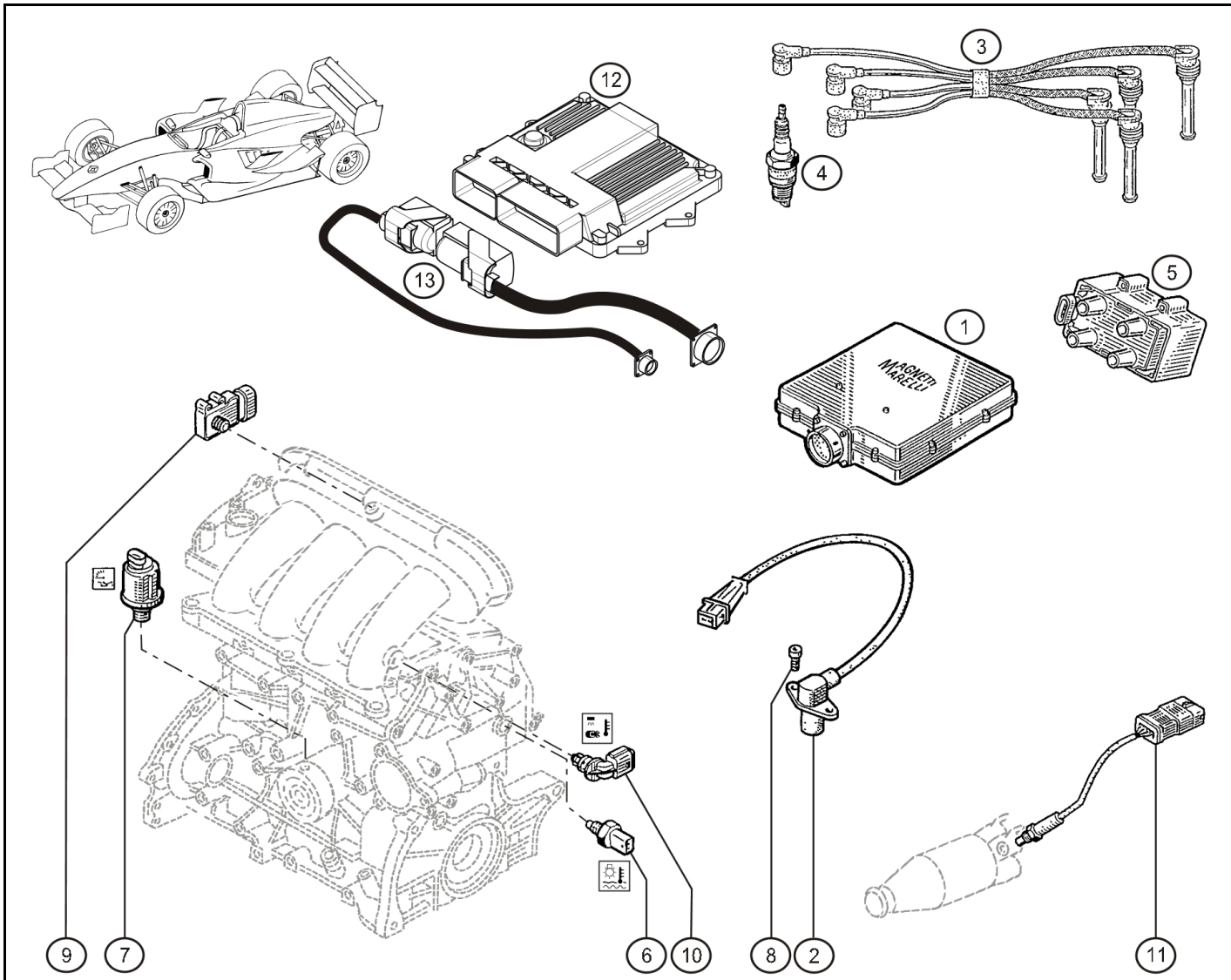


RENAULT SPORT

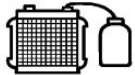
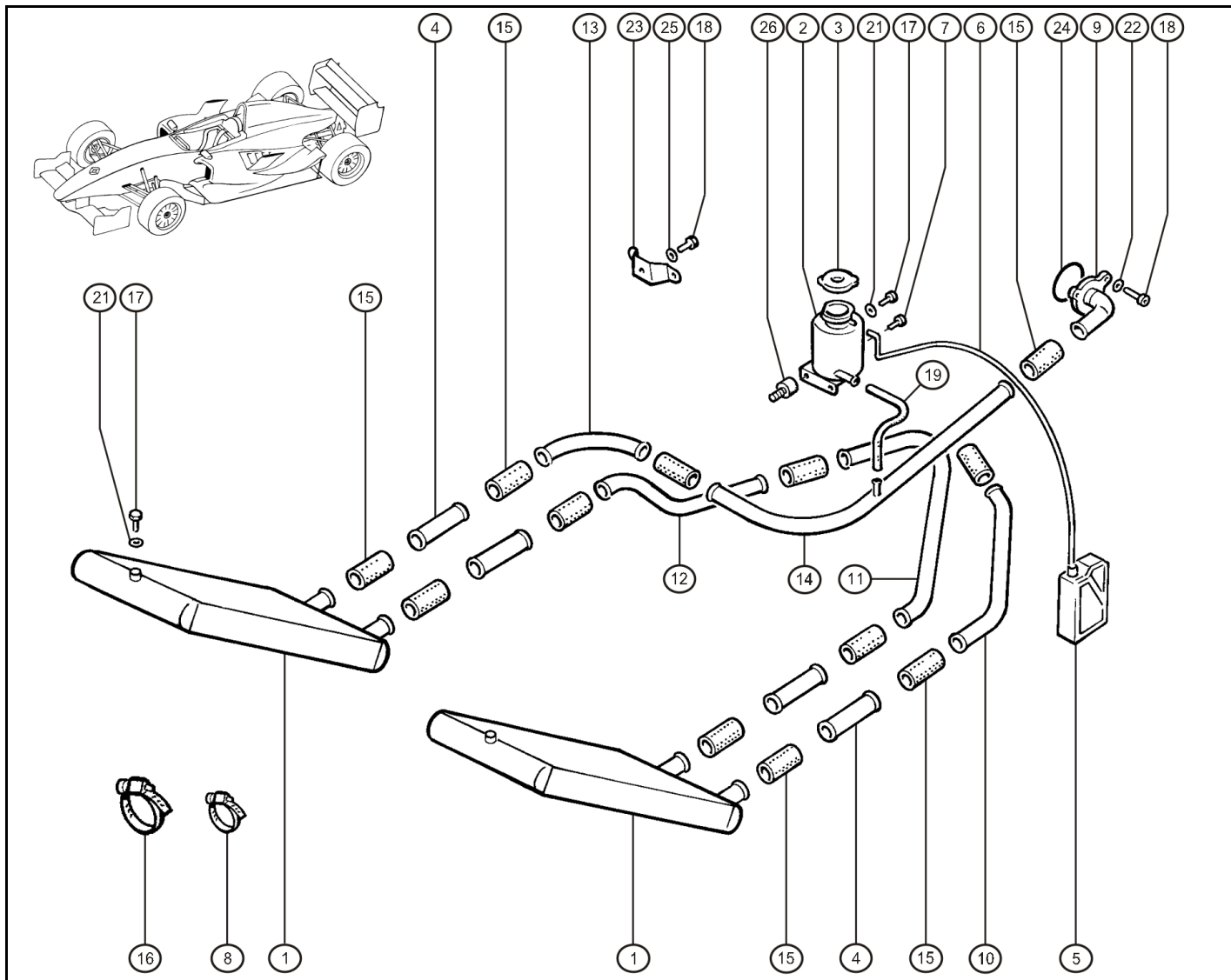
oct.-2006



RENAULT



Rep.	Reference	Description	Coef
1	77 11 154 996	computer	1
2	77 11 126 782	Engine speed sensor	1
3	77 11 160 227	Coil loom	1
4	77 11 155 292	Spark plug NGK PFR6E-10	4
5	77 11 155 389	Coil HT	1
6	77 11 155 372	Water temperature sensor	1
7	77 11 153 990	Trama pression huile	1
8	77 11 051 249	CHS Bolt M5-10	2
11	77 11 155 391	Lambda probe	1
12	77 11 163 124	Calculateur SRAE	1
13	77 11 163 146	Bretelle adaptation SRAE	1

**2.0****FORMULA  
RENAULT 2.0****19.00**

Rep.	Reference	Description	Coef
1	77 11 154 634	Radiator	1
2	77 11 154 635	Expansion tank	1
3	77 11 154 636	Cap	1
4	77 11 154 843	Hose	1
5	77 11 154 654	Bidon récupérateur	1
6	77 11 154 637	Breather hose	1
7	77 11 154 889	Screw	1
8	77 11 154 638	Clamp	1
9	77 11 154 639	Flange	1
10	77 11 154 640	Hose	1
11	77 11 154 641	Hose	1
12	77 11 154 642	Hose	1
13	77 11 154 643	Hose	1
14	77 11 154 644	Hose	1
15	77 11 154 645	Hose	1
16	77 11 154 646	Collier serrage Ø26-38	1
17	77 11 154 647	Vis purge	1
18	77 11 154 735	Vis M6-20	1
19	77 11 154 648	Hose	1
21	77 11 154 650	Joint vis de purge	1
22	77 11 154 787	Washer-Onduflex Ø6	1
23	77 11 154 651	Mounting-Expansion tank	1
24	77 11 154 652	Seal	1
25	77 11 154 901	Washer Ø6x18	1
26	77 11 154 653	Silentbloc	1



RENAULT SPORT

juin-2007



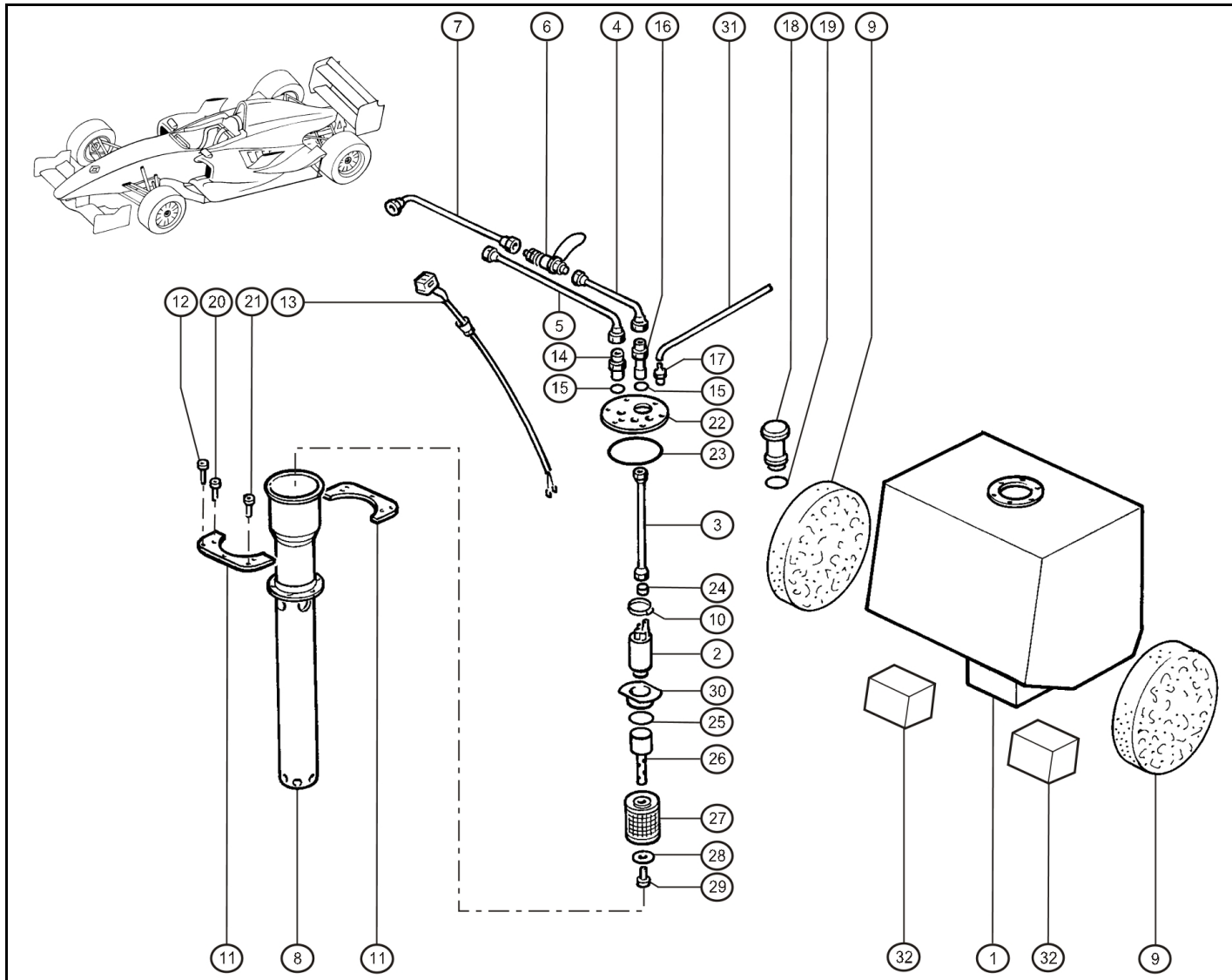
RENAULT



**2.0**

**FORMULA  
RENAULT 2.0**

**19.30**



Rep.	Reference	Description	Coef
1	77 11 154 111	Fuel tank	1
2	77 11 154 287	Pompe à essence	1
3	77 11 154 285	Tuyau pompe à carburant lg:450mm	1
4	77 11 154 283	Flexible aller essence lg:380mm	1
5	77 11 154 959	Flexible lg:480mm	1
6	77 11 154 997	Coupleur prélèvement essence	1
7	77 11 154 284	Flexible aller/coupleur lg:145mm	1
8	77 11 154 655	Puits de jauge	1
9	77 11 154 656	Foam	1
10	77 11 154 674	Clamp	1
11	77 11 154 657	Support puits de jauge	1
12	77 11 154 890	Screw	1
13	77 11 154 658	Fuel pump loom	1
14	77 11 154 659	Raccord essence	1
15	77 11 154 660	Joint essence	1
16	77 11 154 661	Manchon essence	1
17	77 11 154 662	Valve sécurité	1
18	77 11 154 857	Cap	1
19	77 11 154 664	Joint de réservoir	1
20	77 11 154 891	Screw	1
21	77 11 154 892	Screw	1
22	77 11 154 666	Plaque réservoir	1
23	77 11 154 667	Seal	1
24	77 11 154 668	Bague nylon	1
25	77 11 154 669	Seal	1
26	77 11 154 670	Guide filtre	1
27	77 11 154 671	Fuel filter	1
28	77 11 154 672	Bague téflon	1
29	77 11 154 762	FHS Bolt M6-15	1
30	77 11 154 673	Support pompe essence	1
31	77 11 154 675	Hose	1
32	77 11 154 919	Foam	2

juin-2007



RENAULT SPORT

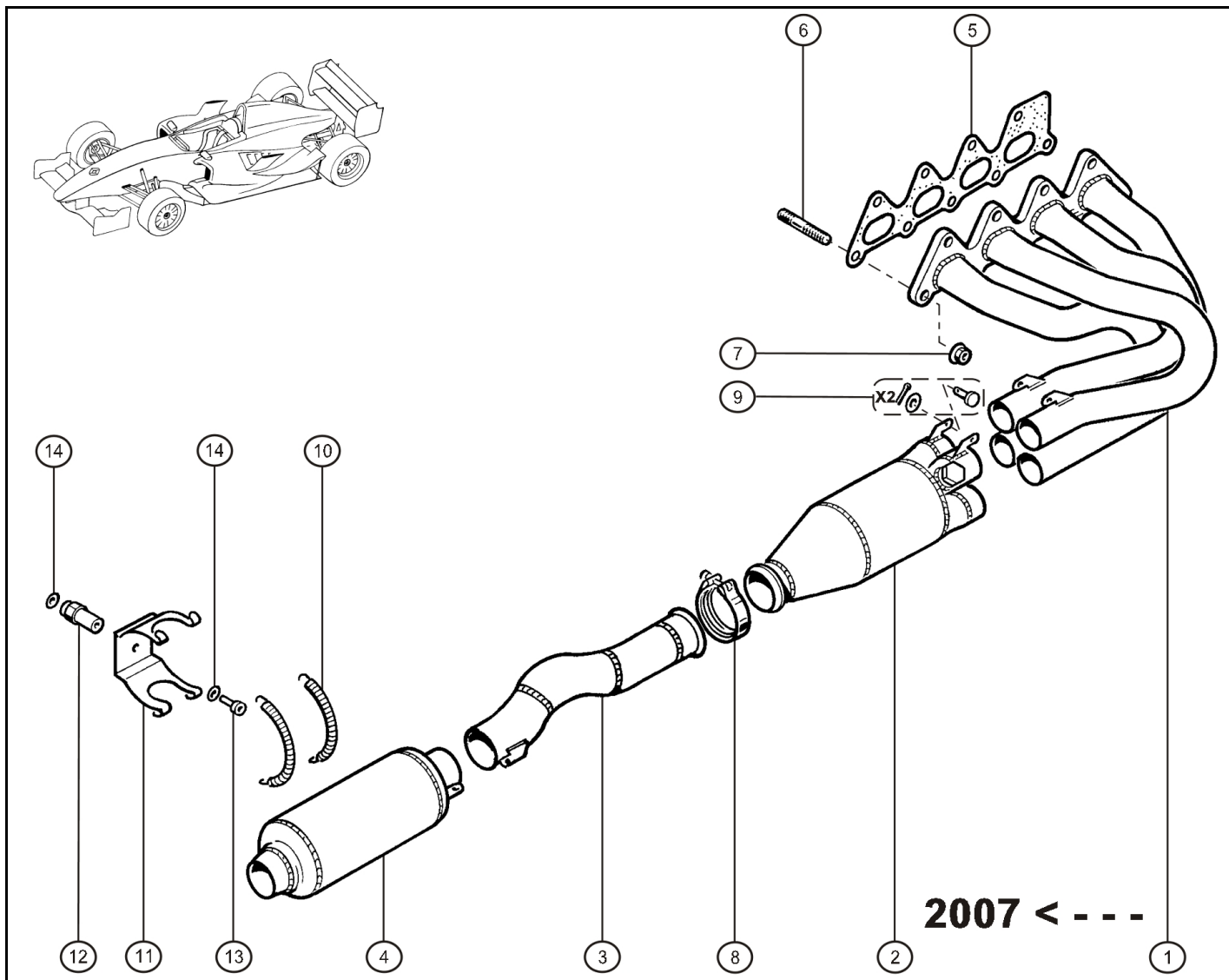
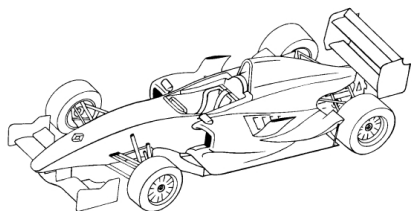




**2.0**

**FORMULA  
RENAULT 2.0**

**19.50**



Rep.	Reference	Description	Coef
1	77 11 154 181	Exhaust manifold	1
2	77 11 154 183	Pot catalytique	1
3	77 11 154 119	Tuyau échappement	1
4	77 11 154 184	Silencer	1
5	77 00 114 234	Joint collecteur échap.	1
6	77 00 107 608	Goujon fix. collecteur échappement	1
7	77 03 033 107	Nut-underneath HM8	1
8	77 11 150 452	Exhaust collar	1
9	77 11 154 217	Moulding	1
10	77 11 154 691	Spring	1
11	77 11 154 692	Bracket	1
12	77 11 163 128	Entretoise support	1
13	77 11 154 894	Screw	1
14	77 11 154 780	Washer	1

2007 < - - -

juin-2007



RENAULT SPORT



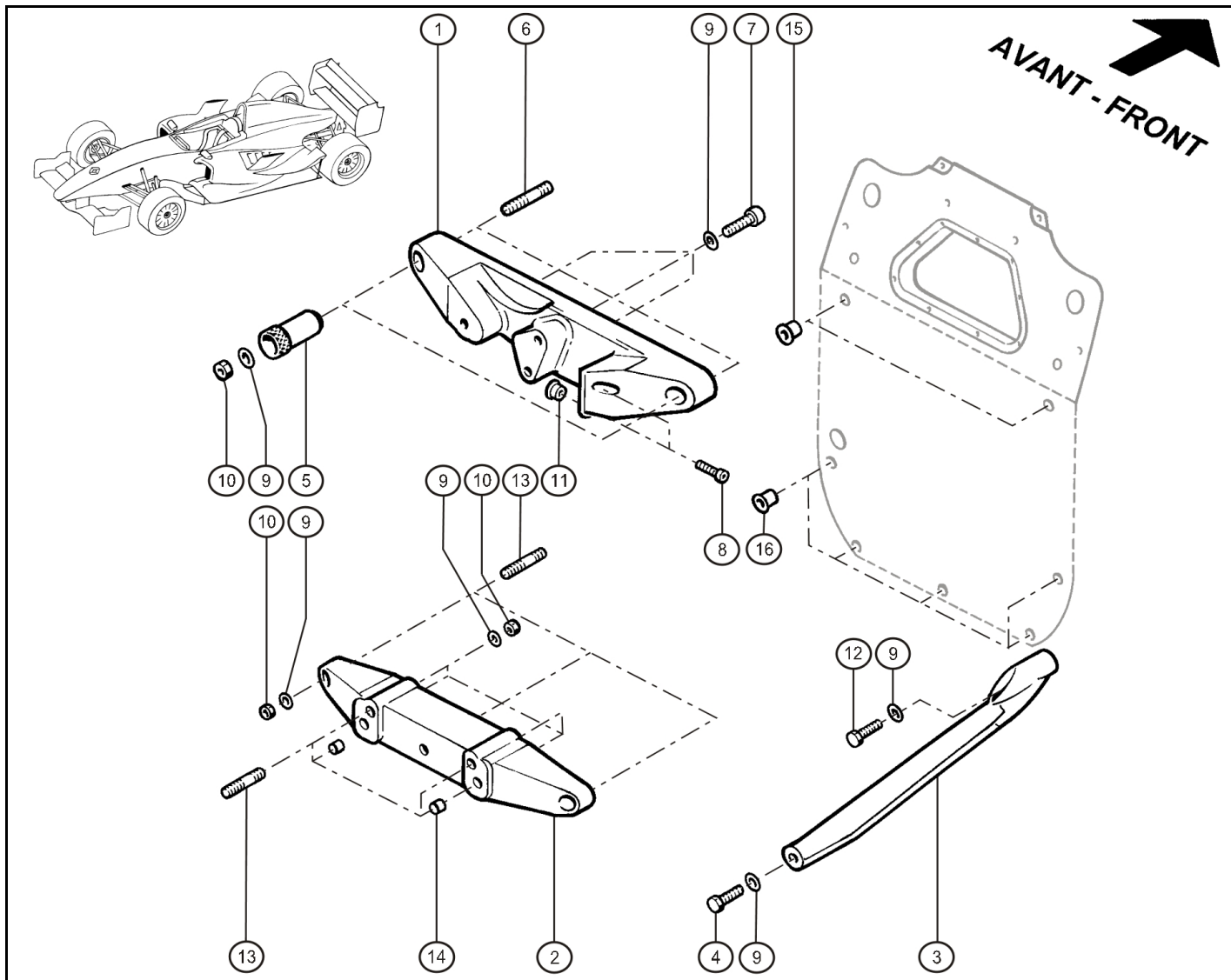
RENAULT



**2.0**

**FORMULA  
RENAULT 2.0**

**19.80**



Rep.	Reference	Description	Coef
1	77 11 154 676	Top engine beam	1
2	77 11 154 677	Mounting bracket-inferior	1
3	77 11 154 993	Tirant support	1
4	77 11 154 799	CHS Bolt M10-80	1
5	77 11 154 679	Centreur moteur	1
6	77 11 154 680	Goujon support moteur	1
7	77 11 154 741	CHS Bolt M10-65	1
8	77 11 154 736	CHS Bolt M8-30	1
9	77 11 154 800	Washer	1
10	77 11 154 715	Nut M10	1
11	77 11 154 876	Spacer	1
12	77 11 154 801	H Bolt M10-20	1
13	77 11 154 682	Stud	1
14	77 11 154 685	Bush	1
15	77 11 154 683	Canon filté	1
16	77 11 154 684	Canon filté	1



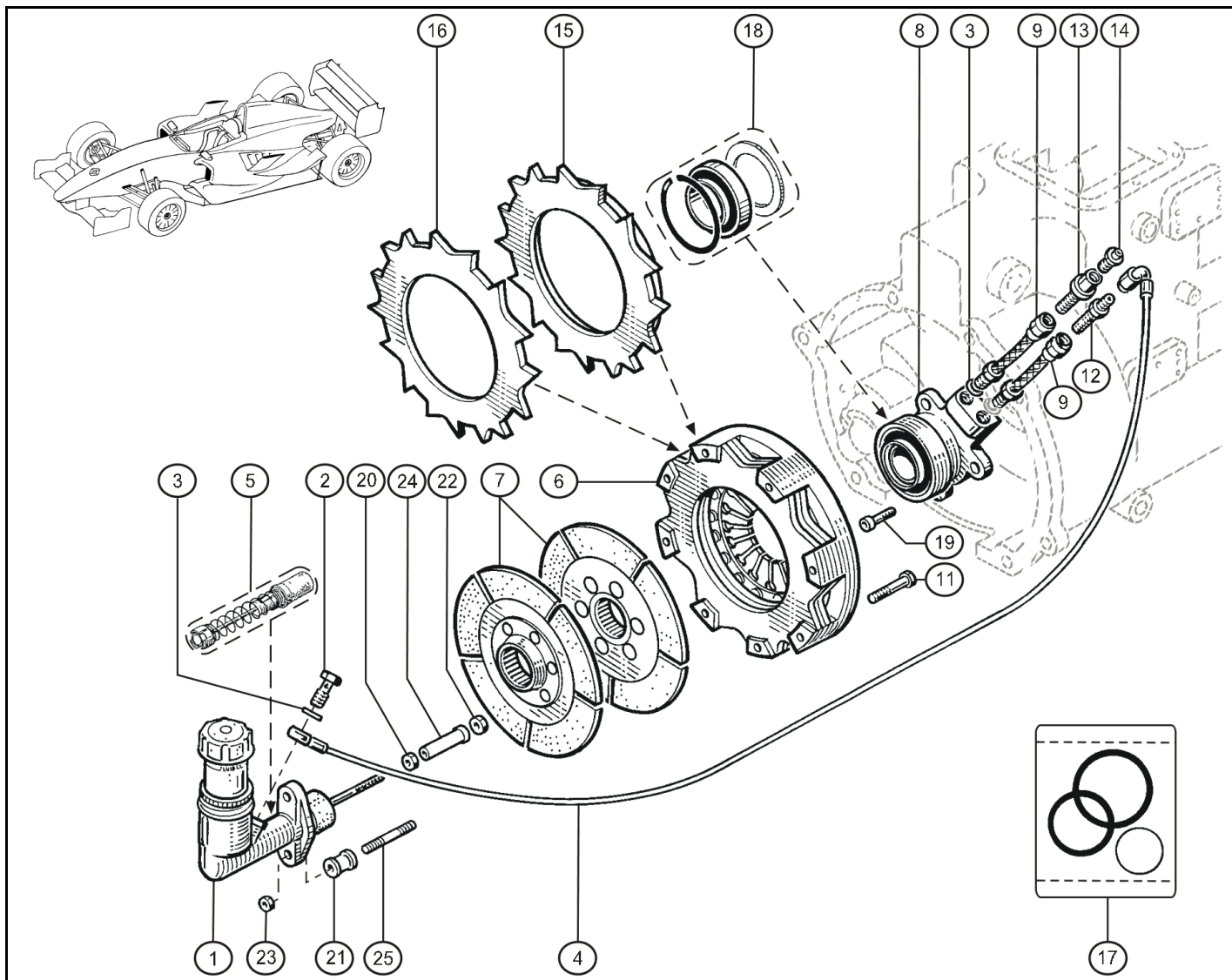
RENAULT SPORT

juin-2007



RENAULT



**2.0****FORMULA  
RENAULT 2.0****20.00**

Rep.	Reference	Description	Coef
1	77 11 154 147	Clutch Master Cylinder 7/10"	1
2	77 11 153 550	Union bolt	1
3	77 11 156 532	Copper washer 10x14x1	1
4	77 11 154 153	Flexible embrayage	1
5	77 11 150 528	Coll réparation 7/10"	1
6	77 11 154 127	Clutch mechanism	1
7	77 11 154 128	Double frictions d'embrayage	1
8	77 11 154 129	Butée hydraulique	1
9	77 11 154 267	Tuyau Alimentation butée	1
11	77 11 154 201	CHS Bolt M8-45	1
12	77 11 156 528	Adaptateur passe cloison	1
13	77 11 154 216	Passerelle purge	1
14	77 11 150 524	Purge	1
15	77 11 154 260	Plateau presseur	1
16	77 11 154 001	Plateau intermédiaire	1
17	77 11 154 002	Repair kit stop	1
18	77 11 154 003	Roulement butée	1
19	01 00 301 013	CHS Bolt M7-20 cl 10.9 brut	1
20	77 11 154 765	Nut HM8	1
21	77 11 154 630	Spacer	1
22	77 11 154 865	Nut M6	1
23	77 11 154 729	nut H FR M8	1
24	77 11 154 627	Axe réglage M.C.	1
25	77 11 154 552	Stud M8-70	1



févr.-2005



RENAULT SPORT

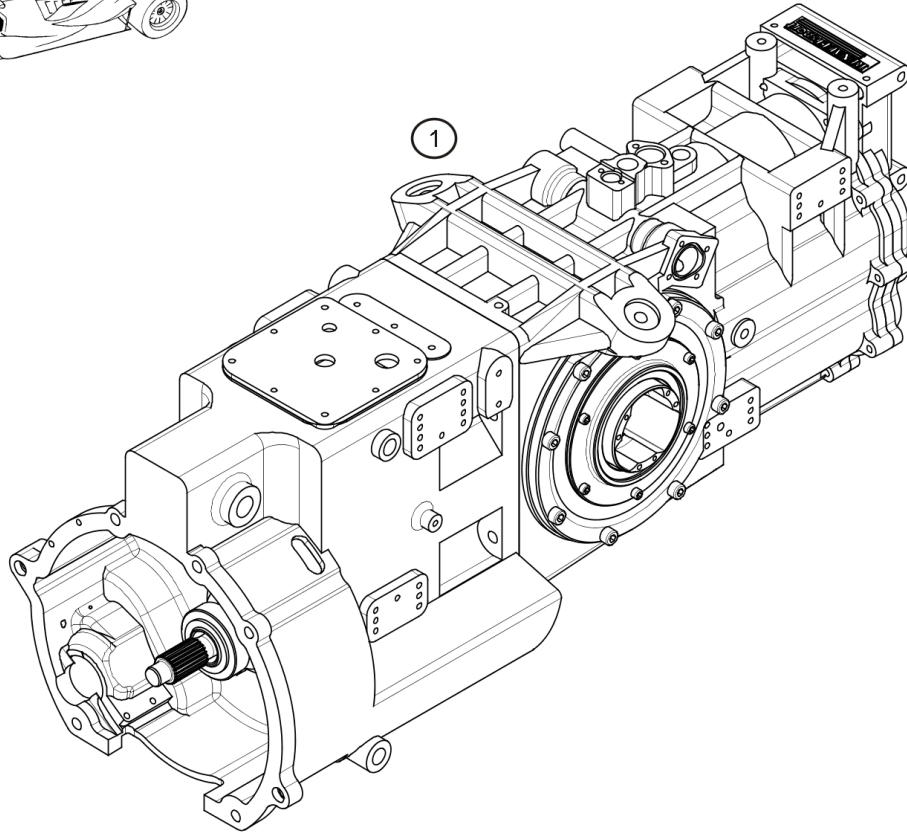
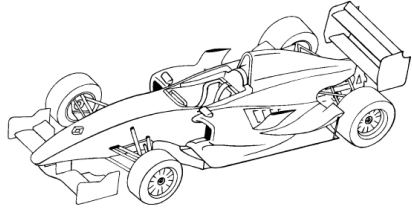
**20.00**



**2.0**

**FORMULA  
RENAULT 2.0**

**21.00**



Rep.	Reference	Description	Coef
1	77 11 154 135	Gearbox	1



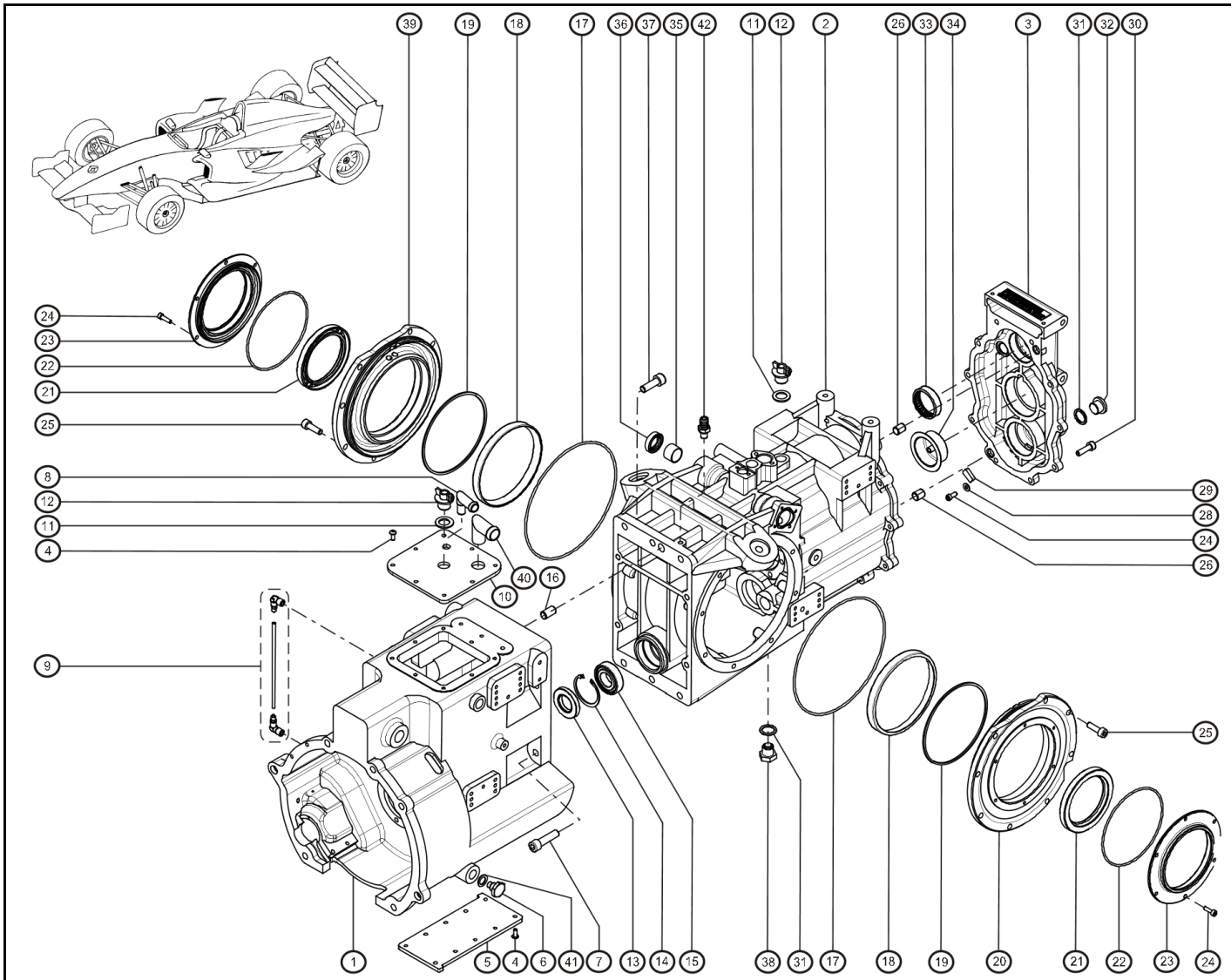
RENAULT SPORT

sept.-2006



RENAULT

**21.00**

**2.0****FORMULA  
RENAULT 2.0****21.20**

Rep.	Reference	Description	Coef
1	77 11 154 208	Carter bache	1
2	77 11 154 209	Carter principal BV	1
3	77 11 154 210	Carter nez de BV	1
4	01 00 308 022	BHS Bolt M5x12 cl.8.8 brut zn	1
5	01 00 085 227	Tôle fermeture intérieure	1
6	77 03 075 304	Cap	1
7	01 00 301 051	CHS Bolt M10x40 cl.10.9 brut zn	1
8	77 11 154 211	Fitting 90°	1
9	77 11 154 310	Kit raccord	1
10	01 00 085 226	Tôle fermeture supérieure	1
11	82 00 201 381	Seal	1
12	77 03 075 180	Filler cap	1
13	01 00 206 003	Double lip seal Ø25x47x7	1
14	01 00 602 043	Circlips-Interior Ø47	1
15	01 00 101 050	Ball bearing 6005	1
16	01 00 016 008	Dowel pin	1
17	01 00 201 036	O ring Ø179.5x3	2
18	77 03 090 362	Cuvette roulement D130	1
19	01 00 850 141	Shim	1
20	01 00 085 215	Flasque G	1
21	01 00 203 019	Lip seal Ø76x100x10	1
22	01 00 201 034	O ring Ø2.62x113.97	1
23	01 00 085 220	Flasque de joint spi	1
24	01 00 301 100	CHS Bolt M5-12 Zn	4
25	01 00 301 020	CHS Bolt M8x25 cl 8.8 brut zn	1
26	01 00 077 229	Dowel pin Ø12x15	2
28	01 00 502 016	Plain washer M5 brut	1
29	77 00 511 874	Aimant	1
30	01 00 301 245	CHS Bolt M7x25 cl.8.8 brut zn	1
31	77 03 062 062	Joint de vidange	3
32	79 03 075 033	Sump plug	1
33	01 00 106 006	Needle roller bearing	1
34	01 00 085 225	Cannule de secondaire	1
35	01 01 202 004	Permaglide bush	2
36	01 00 205 021	Double lip seal Ø20x30x7	1
37	01 00 301 053	CHS Bolt M10x30 cl.10.9 brut zn	1
38	01 00 590 481	Sump plug- Magnetic insert	2
39	01 00 085 216	Flasque D	1
40	77 05 030 272	Raccord coudé	1
41	77 11 050 937	Copper washer Ø12x18 ép:1	1
42	01 00 085 161	Raccord de mise à l'air	1



avr.-2006



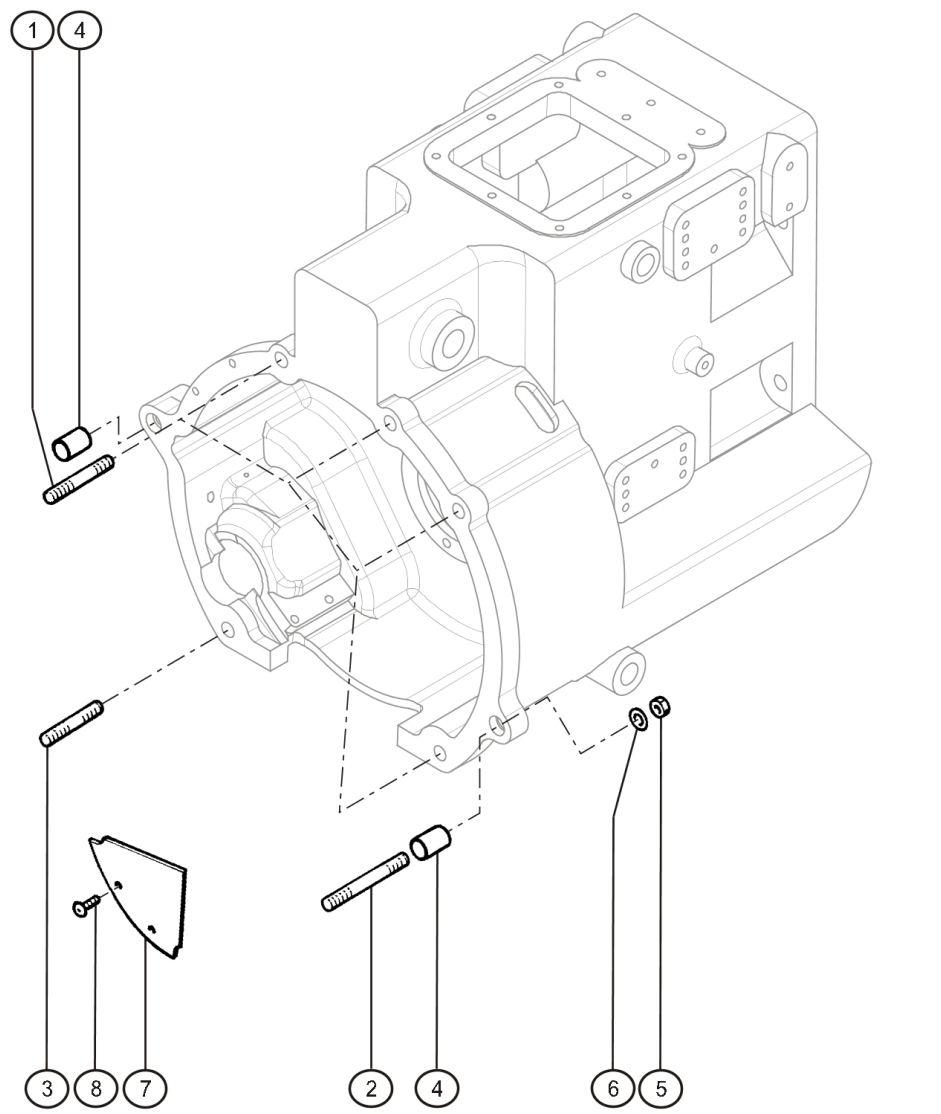
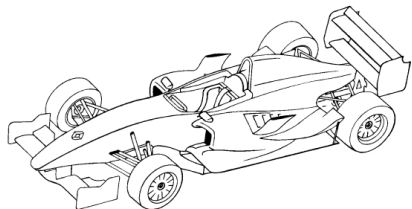
RENAULT SPORT



**2.0**

**FORMULA  
RENAULT 2.0**

**21.25**



Rep.	Reference	Description	Coef
1	77 11 154 682	Stud	4
2	77 11 154 680	Goujon support moteur	2
3	77 11 154 688	Stud	1
4	77 11 154 689	Dowel	2
5	77 11 154 715	Nut M10	1
6	77 11 154 800	Washer	2
7	77 11 154 690	plate	1
8	77 11 154 893	CHS Bolt M6-10	2

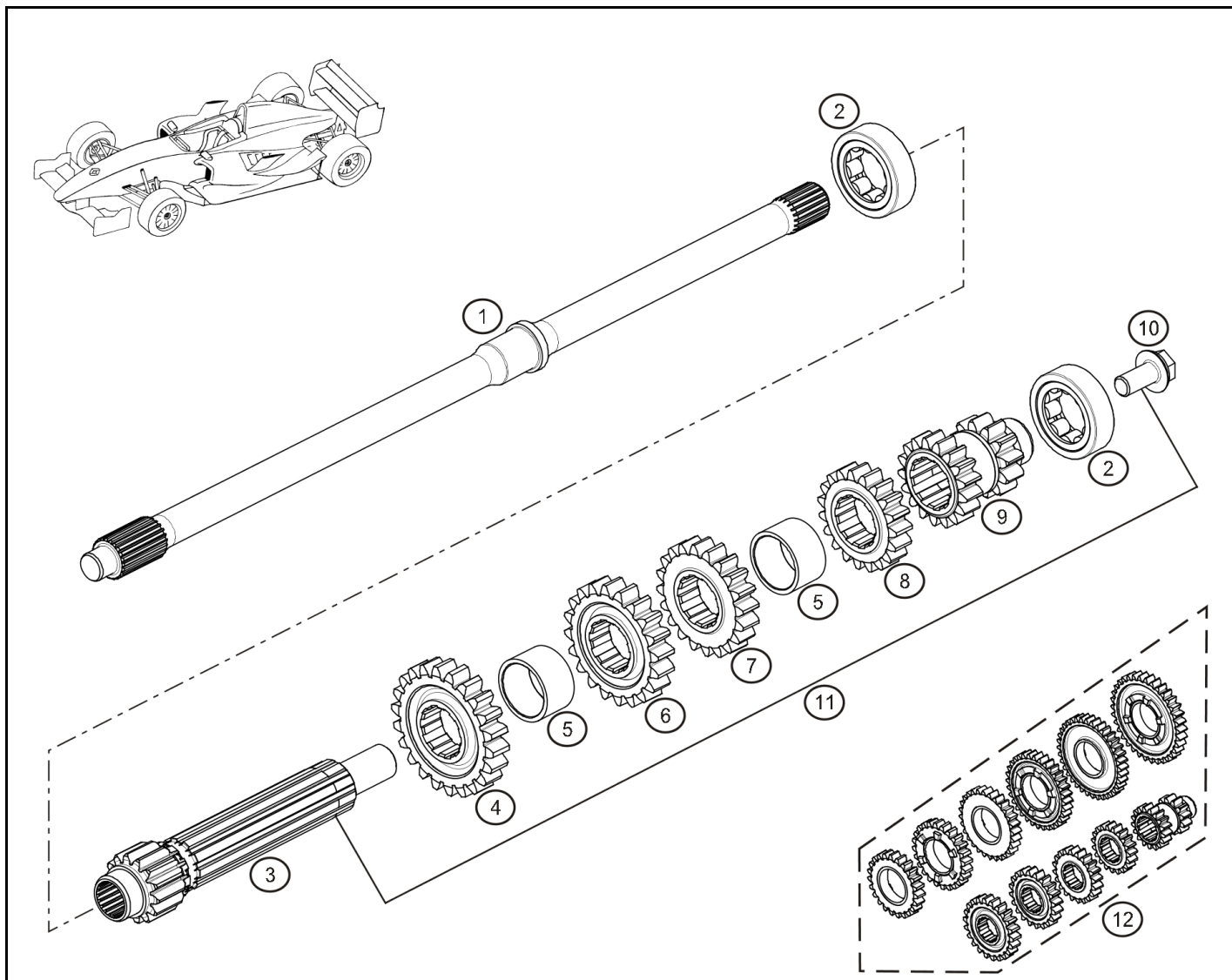


RENAULT SPORT

juin-2007



RENAULT

**2.0****FORMULA  
RENAULT 2.0****21.30**

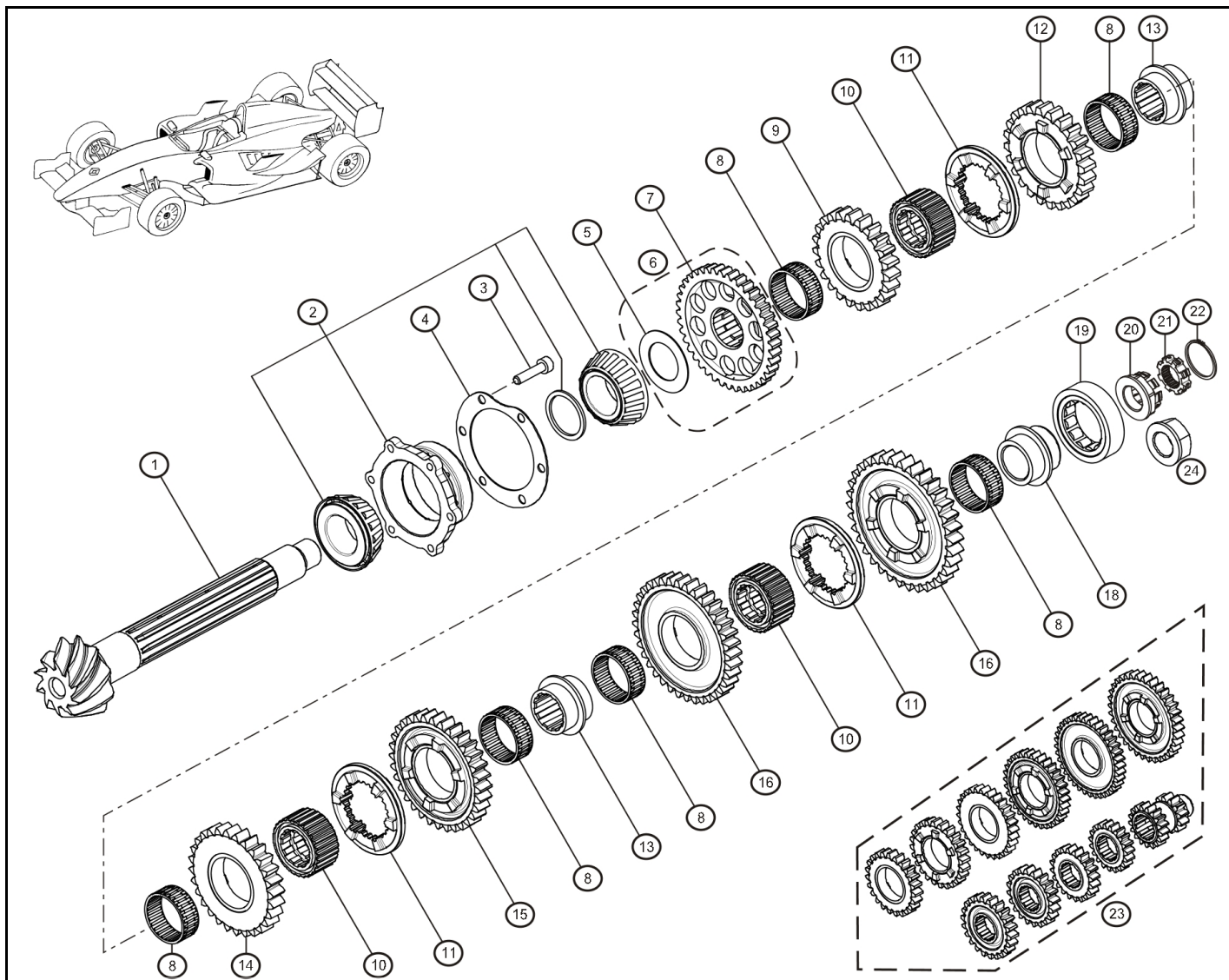
Rep.	Reference	Description	Coef
1	<b>01 00 085 011</b>	Clutch shaft	1
2	<b>01 00 103 015</b>	Roller bearing	1
3	<b>01 00 085 010</b>	Input shaft	1
4	<b>33 75 142 223</b>	Gear ratio 6ème (22/23) "médium"	1
	<b>33 75 142 326</b>	Gear ratio 6ème (23/26) "court"	1
	<b>44 75 142 726</b>	Gear ratio 6ème (27/26) "long"	1
5	<b>01 00 085 006</b>	Spacer-Primary shaft	2
6	<b>44 75 142 022</b>	Gear ratio 5ème (20/22) "long"	1
	<b>33 75 142 127</b>	Gear ratio 5èmes (21/27) "court"	1
	<b>33 75 142 024</b>	Gear ratio 5ème (20/24) "médium"	1
7	<b>44 75 142 127</b>	Gear ratio 4ème (21/27) "long"	1
	<b>33 75 141 827</b>	Gear ratio 4ème (18/27) "court"	1
	<b>33 75 142 028</b>	Gear ratio 4ème (20/28) "médium"	1
8	<b>44 75 141 828</b>	Gear ratio 3ème (18/28) "long"	1
	<b>33 75 141 629</b>	Gear ratio 3ème (16/29) "court"	1
	<b>33 75 141 932</b>	Gear ratio 3ème (19/32) "médium"	1
9	<b>44 75 141 835</b>	Gear ratio 2ème 18dts (18/35) "long"	1
	<b>44 75 900 102</b>	Rapport 1-2 (12/36) (16/36) "court"	1
	<b>55 75 141 437</b>	Gear ratio 1ère 14dts (14/37) "long"	1
	<b>44 75 900 101</b>	Gear ratio 1-2 (12/34) (17/36) "médium"	1
10	<b>01 00 085 015</b>	Vis arbre primaire	1
11	<b>01 00 850 101</b>	Arbre primaire équipé	1
12	<b>01 75 000 001</b>	Kit rapports longs	1
	<b>01 75 000 002</b>	Kit rapports courts	1



nov.-2007



RENAULT SPORT

**2.0****FORMULA  
RENAULT 2.0****21.40**

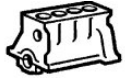
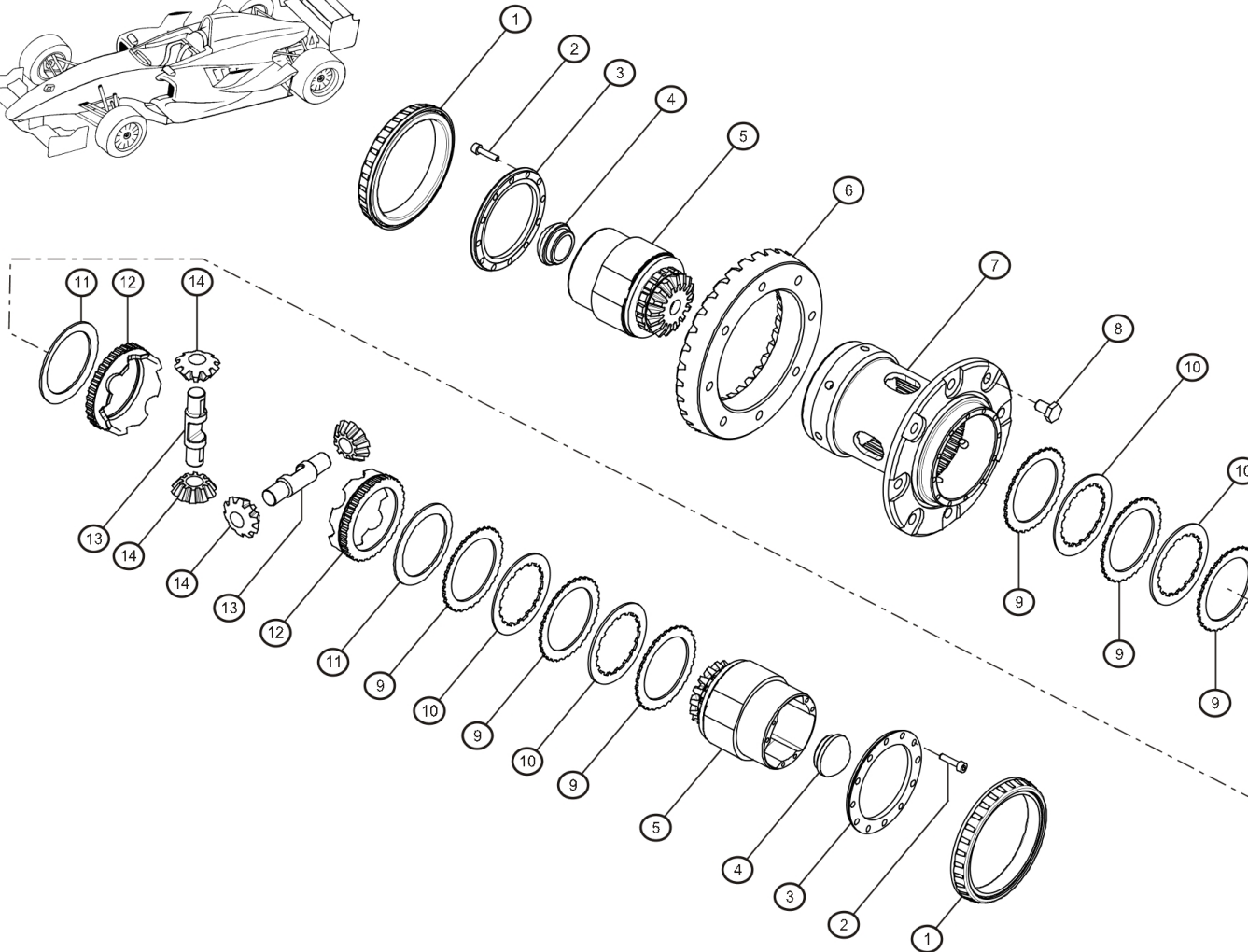
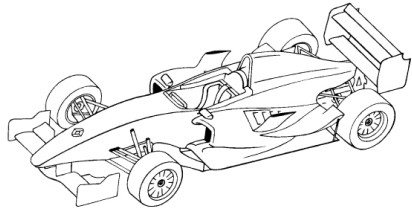
Rep.	Reference	Description	Coef
1	<b>01 01 031 855</b>	Couple - 10x31	1
2	<b>01 00 850 121</b>	Roulement conique M88048	1
3	<b>01 00 301 191</b>	CHS Bolt M7-30	1
4	<b>01 00 850 131</b>	advance shim	1
5	<b>01 00 085 019</b>	Jeu de cale de M-AR	1
6	<b>01 00 850 081</b>	Roue de M-AR + jeux de cales	1
7	<b>01 00 085 008</b>	reverse gear wheel 40dts	1
8	<b>01 00 105 043</b>	Roulement à aiguille	6
9	<b>33 75 142 223</b>	Gear ratio 6ème (22/23) "médium"	1
	<b>33 75 142 326</b>	Gear ratio 6ème (23/26) "court"	1
	<b>44 75 142 726</b>	Gear ratio 6ème (27/26) "long"	1
10	<b>01 00 085 003</b>	Switch mounting	2
11	<b>01 00 085 004</b>	Sliding ring	3
12	<b>44 75 142 022</b>	Gear ratio 5ème (20/22) "long"	1
	<b>33 75 142 127</b>	Gear ratio 5èmes (21/27) "court"	1
	<b>33 75 142 024</b>	Gear ratio 5ème (20/24) "médium"	1
13	<b>01 00 085 005</b>	Shouldered bush	2
14	<b>44 75 142 127</b>	Gear ratio 4ème (21/27) "long"	1
	<b>33 75 141 827</b>	Gear ratio 4ème (18/27) "court"	1
	<b>33 75 142 028</b>	Gear ratio 4ème (20/28) "médium"	1
15	<b>44 75 141 828</b>	Gear ratio 3ème (18/28) "long"	1
	<b>33 75 141 629</b>	Gear ratio 3ème (16/29) "court"	1
	<b>33 75 141 932</b>	Gear ratio 3ème (19/32) "médium"	1
16	<b>44 75 141 835</b>	Gear ratio 2ème 18dts (18/35)	1
		"long"	
	<b>44 75 900 102</b>	Rapport 1-2 (12/36) (16/36)	1
		"court"	
	<b>55 75 141 437</b>	Gear ratio 1ère 14dts (14/37)	1
		"long"	
	<b>44 75 900 101</b>	Gear ratio 1-2 (12/34) (17/36)	1
		"médium"	
18	<b>01 00 085 007</b>	Shouldered bush 1ère	1
19	<b>01 00 103 011</b>	Roller bearing	1
20	<b>01 09 002 038</b>	Nut-Mainshaft	1
21	<b>01 09 005 010</b>	Rondelle à encoches	1
22	<b>01 09 907 004</b>	Anneau Seeger ext. Ø30	1
23	<b>01 75 000 001</b>	Kit rapports longs	1
	<b>01 75 000 002</b>	Kit rapports courts	1
24	<b>01 00 085 016</b>	Nut-Mainshaft	1



févr.-2008



RENAULT SPORT

**2.0****FORMULA  
RENAULT 2.0****21.50**

Rep.	Reference	Description	Coef
1	77 03 090 362	Cuvette roulement D130	1
2	01 00 301 242	CHS Bolt M6x25 cl:12.9	1
4	01 00 085 951	Driveshaft stop	1
5	01 00 859 071	Planétaire creux	1
6	01 01 031 855	Couple - 10x31	1
7	01 00 085 900	Housing	1
8	01 00 305 052	H Bolt M10x125-16 cl:12.9	1
9	01 00 085 912	Friction disc	1
10	01 00 085 913	Disc-Smooth	1
11	77 11 154 922	Belleville washer ép:1.6	2
	77 11 154 921	Belleville washer ép:1.85	2
	01 00 085 914	Belleville washer ép:2	2
12	01 00 859 091	Flange-Limited slip differential	1
13	01 00 085 911	Axe de satellite	2
14	01 00 085 908	Planet gear	4

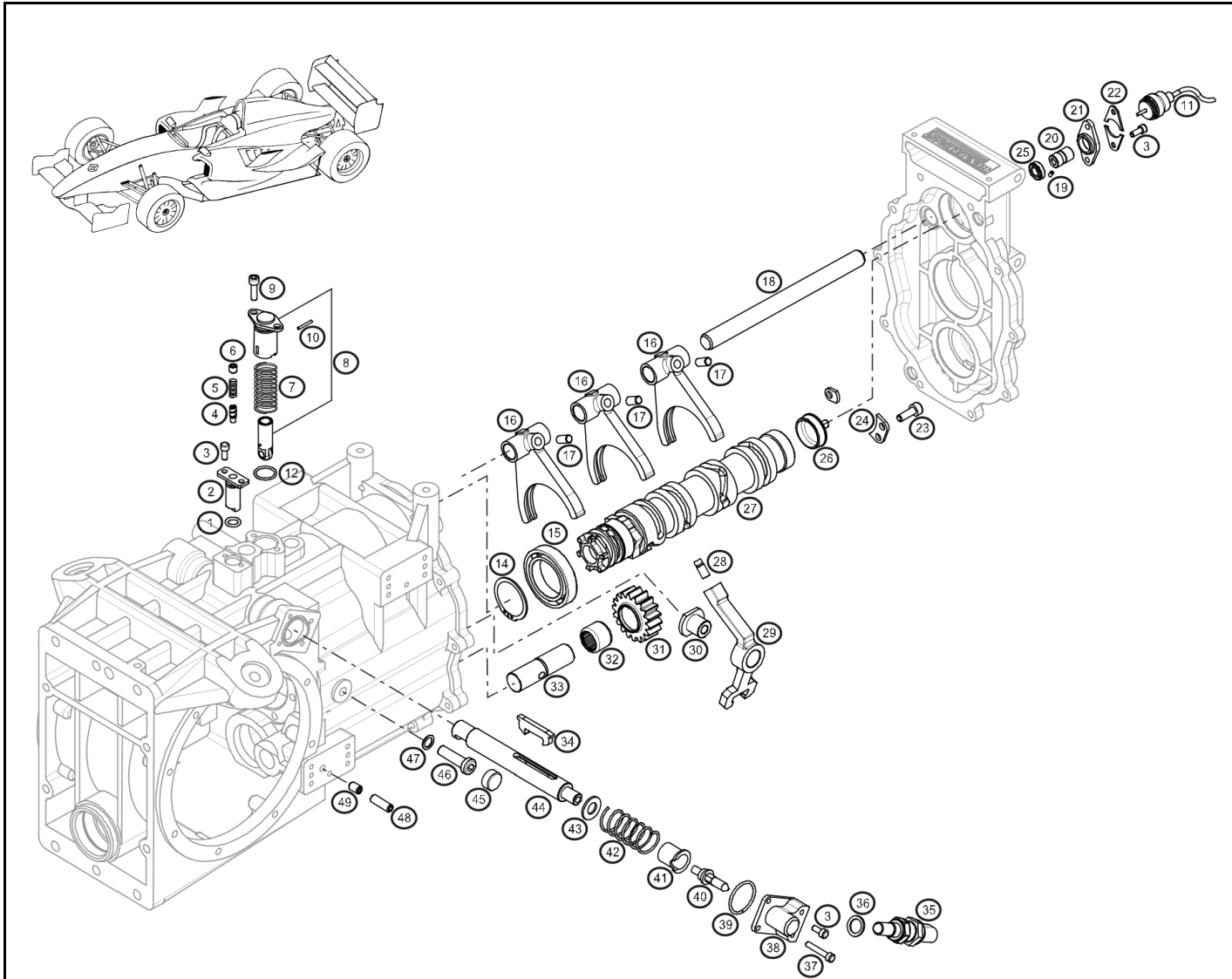


févr.-2008



RENAULT SPORT

**21.50**

**2.0****FORMULA  
RENAULT 2.0****21.60**

Rep.	Reference	Description	Coef
1	01 00 201 017	O ring Ø10x2.5	1
2	01 00 771 051	Guide de poussoir complet	1
3	01 00 301 100	CHS Bolt M5-12 Zn	1
4	01 00 077 110	Poussoir cliquet double	1
5	01 00 801 026	Dual rocker spring	1
6	01 00 302 023	Screw Hc M7x100-8	1
7	01 00 801 046	Ressort d'indexage	1
8	01 00 851 061	Indexeur complet	1
9	01 00 301 161	CHS Bolt M6-20 Zn	1
10	01 00 701 013	Goupille Mécanindus Ø2x20	1
11	77 11 152 299	Potentiometer	1
12	01 00 201 033	O ring Ø2x18	1
14	01 00 601 010	Circlips-ext. Ø40	1
15	01 00 101 018	Ball bearing 61908	1
16	01 00 851 001	Fork	1
17	01 00 077 120	Gear lever	1
18	01 00 085 103	Fork rod	1
19	01 00 302 009	Screw Hc M3-6 bout cuvette	1
20	01 00 590 901	Accouplement élastique équipé	1
21	01 00 077 150	Potentiometer support	1
22	01 00 077 151	Bride de potentiomètre	1
23	01 00 301 013	CHS Bolt M7-20 cl 10.9 brut	1
24	01 00 851 081	Arrêteur côté gauche et droit	1
25	01 00 203 017	Lip seal Ø8x18x5	1
26	01 00 851 107	Entraîneur potar	1
27	01 00 851 021	Barrel	1
28	01 00 077 108	Lever-Reverse gear	1
29	01 00 851 011	Rocker-Reverse gear	1
30	01 00 085 111	Ecrou de MAR	1
31	01 00 850 091	Return reverse gear	1
32	01 00 106 007	Douille à aiguille HK 2020	1
33	01 00 085 110	Pivot pin-Reverse lever	1
34	01 00 059 040	Double ratchet	1
35	11 00 077 119	kit contacteur	1
36	01 00 062 011	Powershift shim	1
37	01 00 301 126	CHS Bolt M5-30 Zn	1
38	01 00 062 010	Bloc de fermeture de commande	1
39	01 00 201 015	O ring Ø30.3x2.4	1
40	01 00 062 009	Selector bolt	1
41	01 00 059 022	Shouldered bush	1
42	01 00 801 027	Selector spring	1
43	01 00 059 049	Thrust washer	1
44	01 00 085 104	Selecting rod	1

nov.-2007



RENAULT SPORT

**21.60**

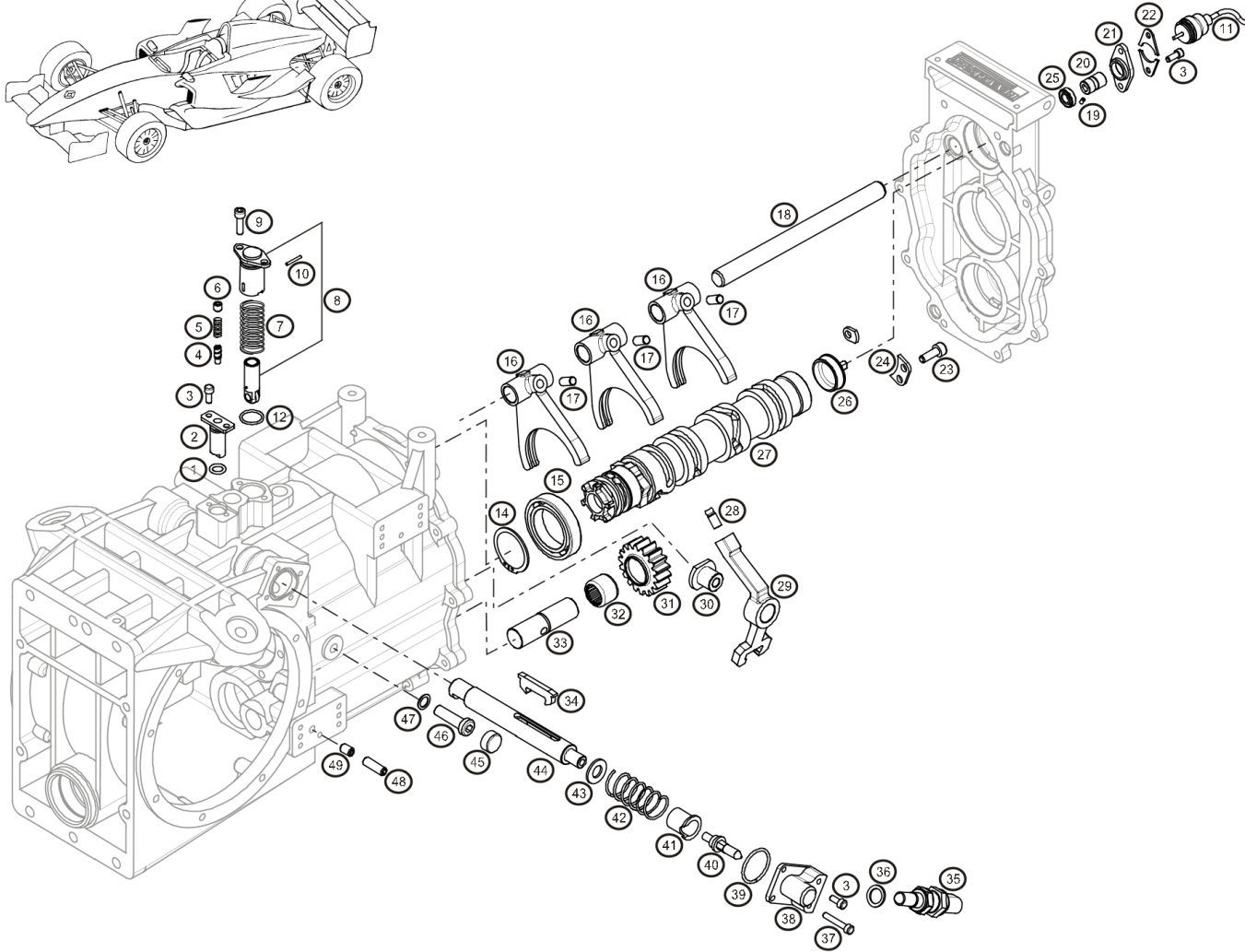
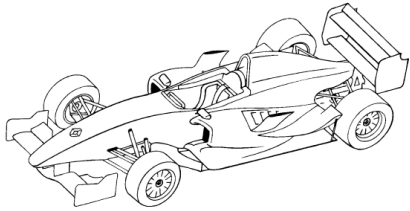




**2.0**

**FORMULA  
RENAULT 2.0**

**21.60**



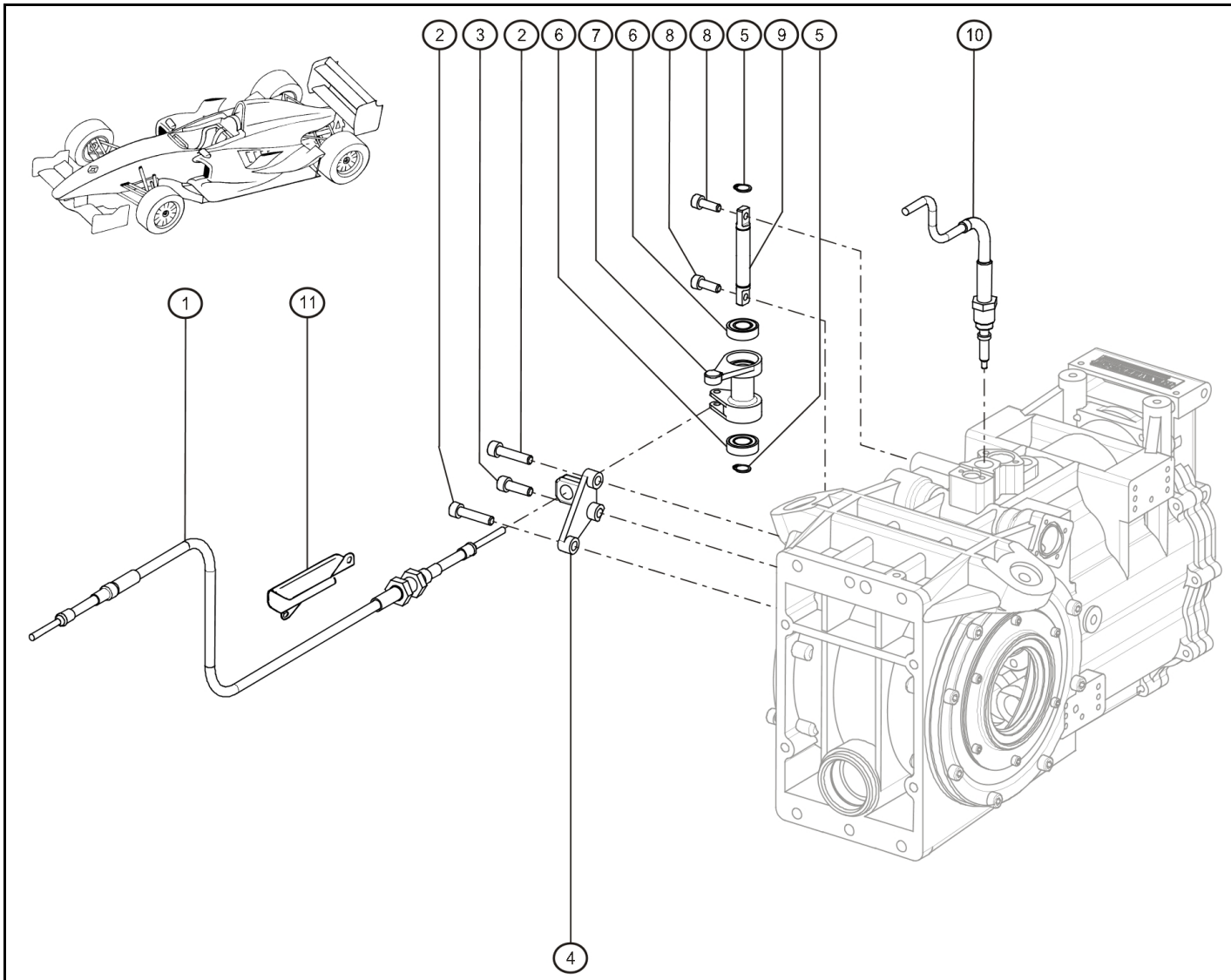
Rep.	Reference	Description	Coef
45	<b>01 00 085 228</b>	Cache tête	1
46	<b>01 00 304 006</b>	Cap head screw M10-35 CL/10.9 Zn	1
47	<b>01 00 599 017</b>	Copper Washer Ø10.2x17x1	1
48	<b>01 00 302 027</b>	Screw Hc M8x25 à bout plat cl 8.8	1
49	<b>01 00 085 112</b>	Retouche vis Hc M8x16 cl 8.8	1



nov.-2007



RENAULT SPORT

**2.0****FORMULA  
RENAULT 2.0****21.70**

Rep.	Reference	Description	Coef
1	77 11 154 263	push-pull cable	1
2	01 00 301 418	CHS Bolt M8-35 cl 8.8 brut zn	2
3	01 00 301 020	CHS Bolt M8x25 cl 8.8 brut zn	1
4	77 11 154 138	Push-pull stop	1
5	01 00 601 038	Circlips-ext. Ø12	1
6	77 11 156 244	Bearing	1
7	77 11 154 137	Renvoi externe	1
8	01 00 301 373	CHS Bolt M7x16 cl 10.9 brut zn	2
9	77 11 154 140	Axe de renvoi externe	1
10	77 11 154 136	Locking cable-Reverse gear	1
11	77 11 154 311	Ecran thermique cable	1

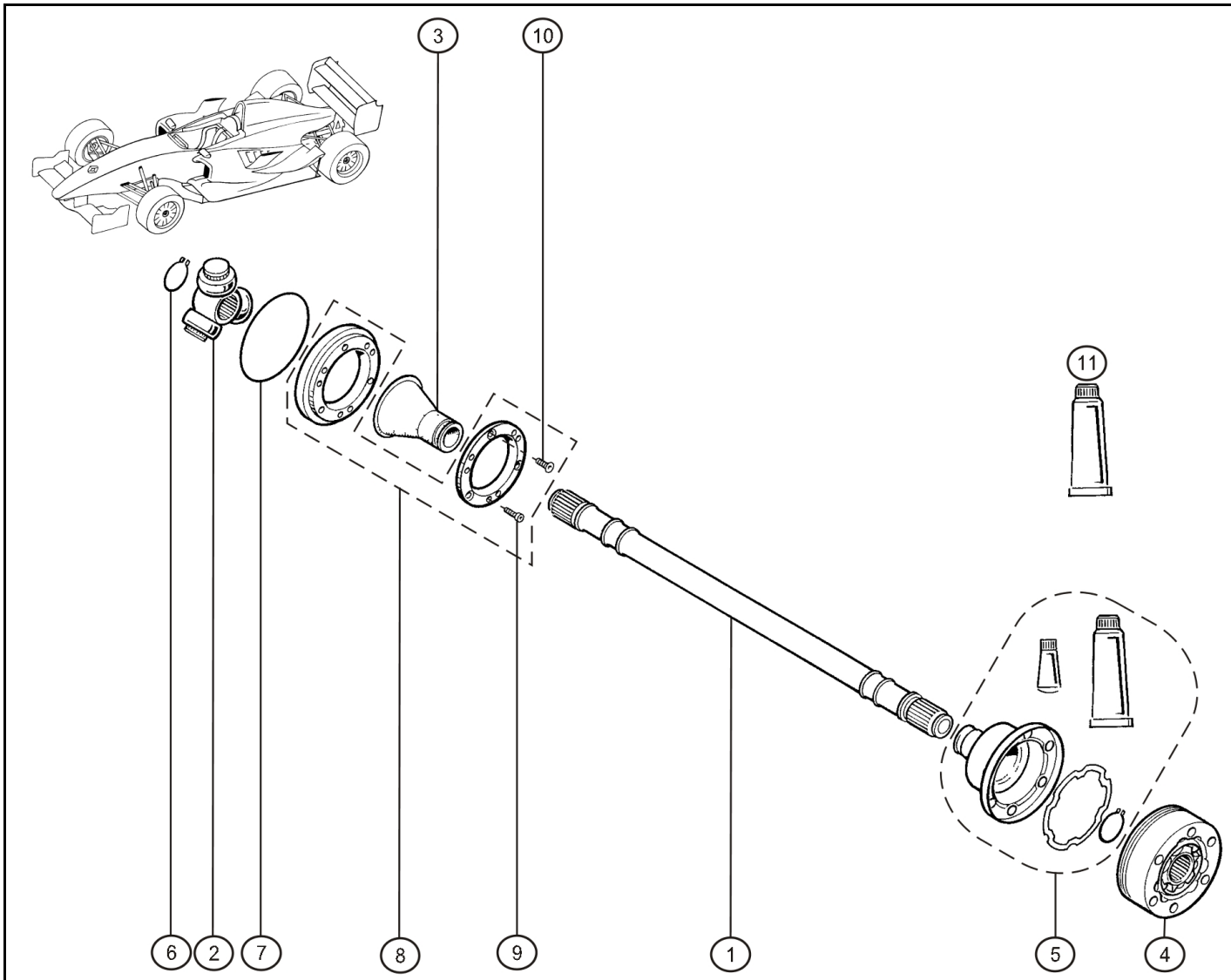


RENAULT SPORT

déc.-2005



RENAULT

**2.0****FORMULA  
RENAULT 2.0****29.00**

Rep.	Reference	Description	Coef
1	77 11 163 143	Arbre de transmission	2
2	77 11 150 539	Tripode	2
3	77 11 154 167	Gaitor	2
4	77 11 154 150	Drivershaft joint	2
5	77 11 154 175	Kit soufflet coté roue	2
6	77 03 066 085	Circlips Ø24	2
7	01 00 201 037	O ring Ø3x76	2
8	01 00 852 221	Seal mounting plate	2
9	01 00 301 079	CHS Bolt M5-18 cl 12.9 brut zn	12
10	01 00 303 019	FHS Bolt M5-12 cl 10.9	6
11	77 11 127 025	Grease	2



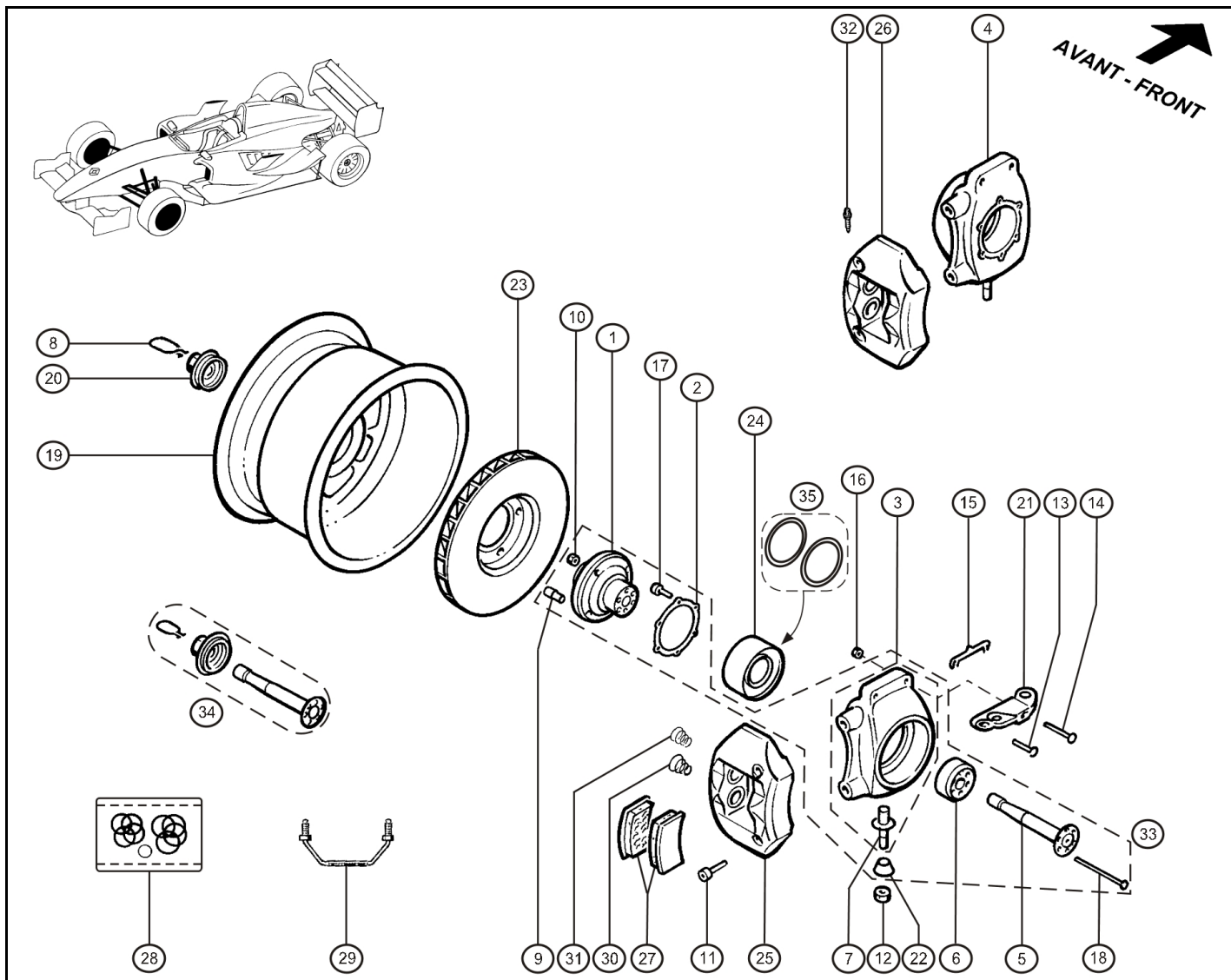
RENAULT SPORT

avr.-2008



RENAULT

**29.00**

**2.0****FORMULA  
RENAULT 2.0****31.00**

Rep.	Reference	Description	Coef
1	77 11 154 464	Moyeu roue	1
2	77 11 154 543	Cale de moyeu	1
3	77 11 154 951	Upright-Front LH	1
4	77 11 154 952	Upright-Front RH	1
5	77 11 154 551	Hub axle	1
	77 11 154 935	Axe moyeu "pas à gauche"	1
6	77 11 154 469	Articulation roue	1
7	77 11 154 470	Axe porte moyeu	1
8	77 11 154 471	Goupille arrêt	1
9	77 11 154 472	Stud	1
10	77 11 154 784	Nut-SIMMONDS M8	1
11	77 11 154 744	CHS Bolt M10-60	1
12	77 11 154 721	nut H FR M12	1
13	77 11 154 722	Screw HM6-50	1
14	77 11 154 723	Screw HM6-70	1
15	77 11 154 473	Shim 1 mm	1
	77 11 154 474	Shim 2 mm	1
16	77 11 154 737	Nut-SIMMONDS M6	1
17	77 11 154 724	Screw	1
18	77 11 154 725	Screw	1
19	77 11 163 068	Wheel Front	2
20	77 11 154 881	Wheel nut	1
	77 11 154 936	Left threaded wheel nut	1
21	77 11 154 479	Support biellette	1
22	77 11 154 480	Entretoise axe inférieur	1
23	® 77 11 154 126	Brake disc	1
24	77 11 154 118	Hub bearing	1
25	77 11 154 122	Caliper Front LH	1
26	77 11 154 123	Caliper Front RH	1
27	77 11 154 251	Set brake pads Ferodo 4003F	1
	77 11 154 949	Jeu de plaquettes Pagid bleu	1
28	77 11 154 261	Kit joints "orange" étrier AV ou AR	2
	77 11 154 995	Kit joints " bleu" étrier AV ou AR	2
29	77 11 154 262	Tuyau fluide étrier AV et AR	1
30	60 00 072 636	Ressort piston Grand Ø	1
31	60 00 072 637	Ressort piston Petit Ø	1
32	77 11 150 524	Purge	1
33	77 11 154 954	Kit porte moyeu AVD	1
	77 11 154 953	Kit porte moyeu AVG	1
34	77 11 154 948	Kit axe + écrou "pas à gauche"	1
35	77 11 163 147	Kit joints roulement de roue	2

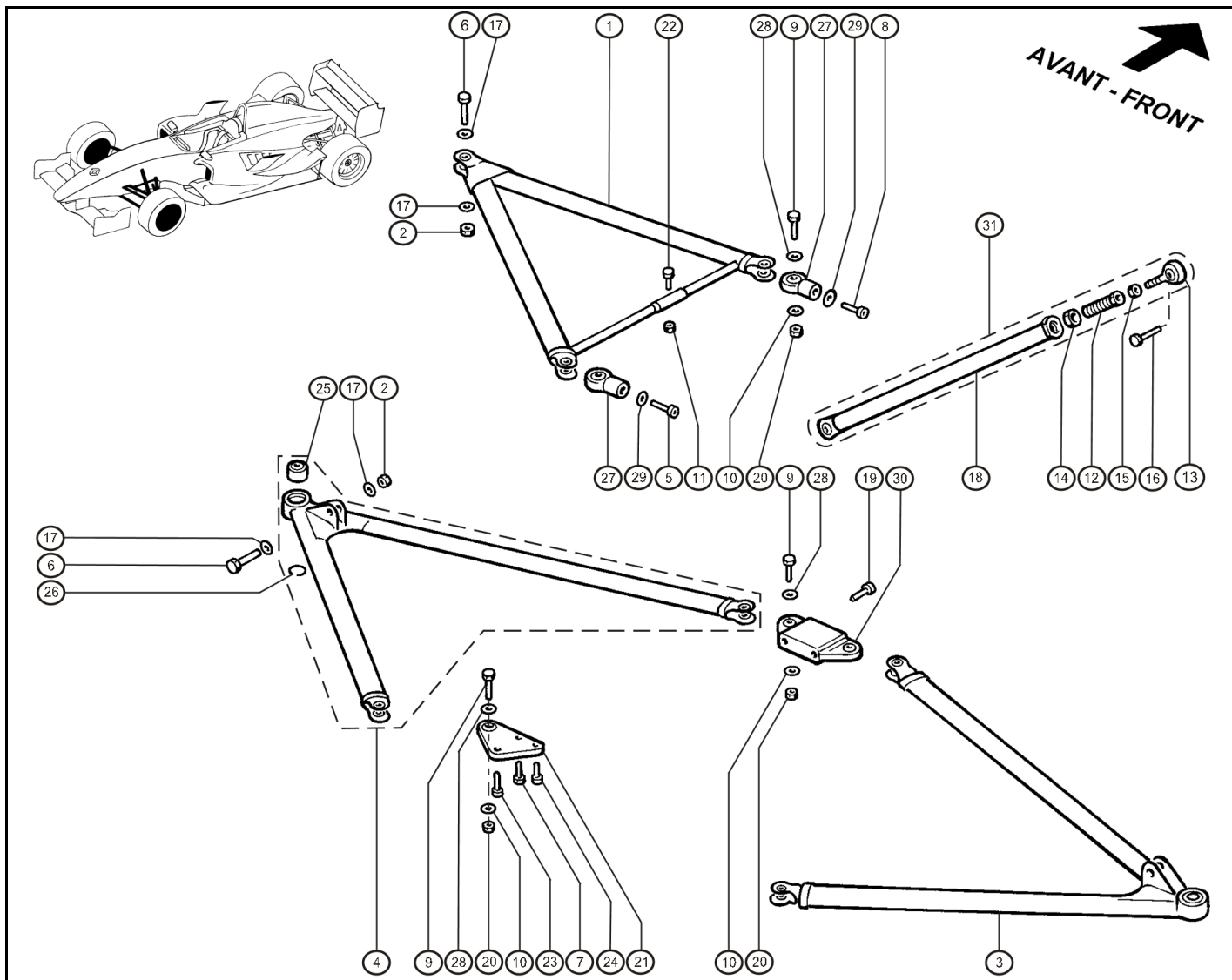
avr.-2009



RENAULT SPORT



31.00

**2.0****FORMULA  
RENAULT 2.0****31.10**

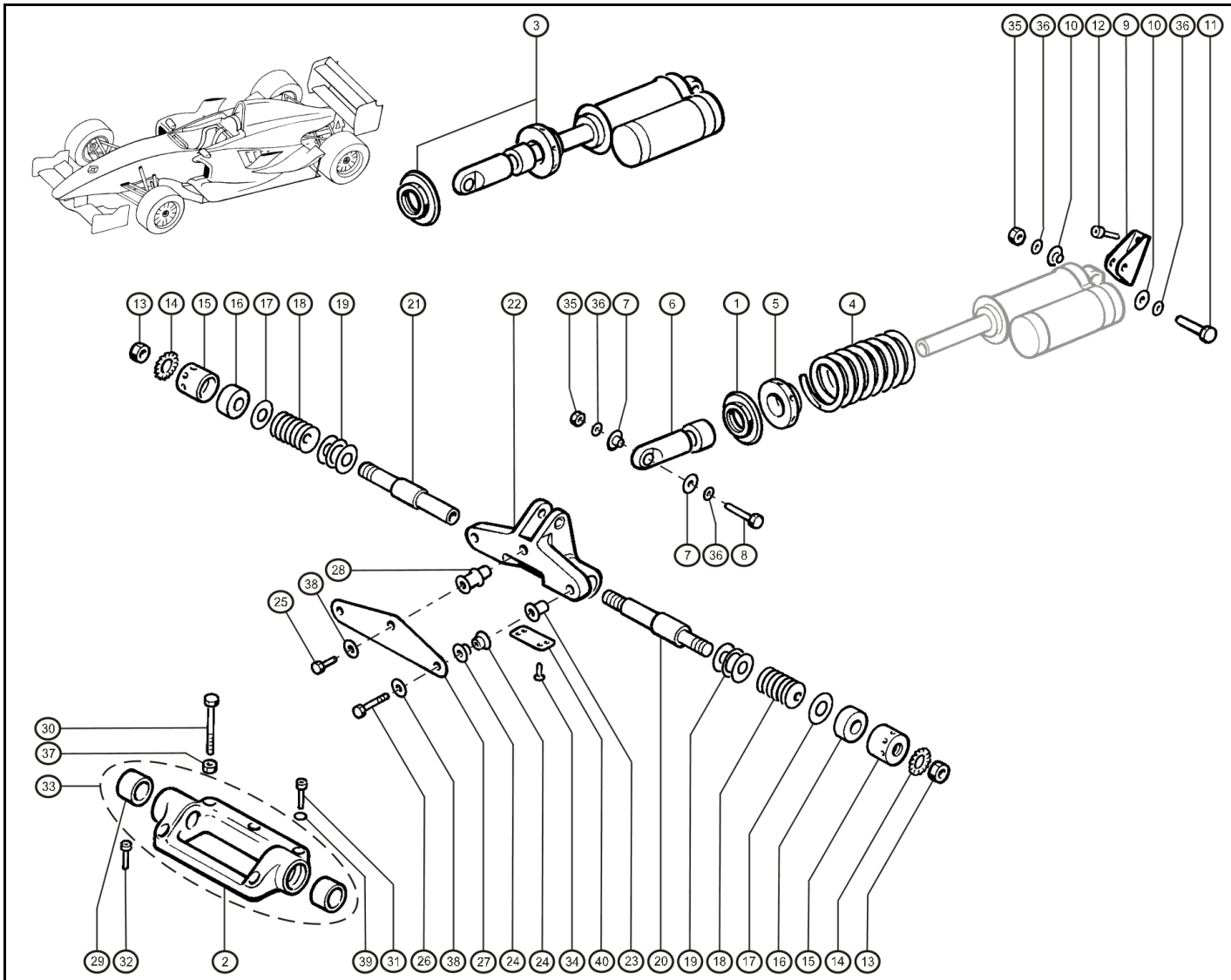
Rep.	Reference	Description	Coef
1	77 11 154 452	Wishbone superior	1
2	77 11 154 694	Nut HM8 Nylstop	1
3	77 11 154 459	Wishbone inferior RH assembled	1
4	77 11 154 460	Wishbone inferior LH assembled	1
5	77 11 154 783	Screw	1
6	77 11 154 695	Screw HM8-30-12	1
7	77 11 154 755	Button head socket screw M6-35	1
8	77 11 154 775	CHS Bolt M8-25	1
9	77 11 154 696	Screw HM6-30-12	1
10	77 11 154 712	Washer Ø6x13 ép:3	1
11	77 11 154 776	Nut HM3 Nylstop	1
12	77 11 154 455	Réglage tirant	1
13	77 11 154 697	Embout rotule	1
14	77 11 154 698	Nut HM16	1
15	77 11 154 699	nut H 3/8" pas à gauche	1
16	77 11 154 700	Screw AN4-14A	1
17	77 11 154 781	Plain washer Ø8x16	1
18	77 11 154 463	Biellette tirant	1
19	77 11 154 777	CHS Bolt M8-25	1
20	77 11 154 701	Nut HM6 Nylstop	1
21	77 11 154 456	Chape triangle	1
22	77 11 154 778	Button head socket screw M3-20	1
23	77 11 154 779	Button head socket screw M8-30	1
24	77 11 154 789	CHS Bolt M6-35-25	1
25	77 11 154 716	Rod end bearing-UNIBAL	1
26	77 11 154 531	Circlips	1
27	77 11 154 458	Rod end bearing superior	1
28	77 11 154 738	Washer Ø8x14	1
29	77 11 154 780	Washer	1
30	77 11 154 461	Attache suspension	1
31	77 11 154 462	Biellette tirant assemblé	1



juin-2007



RENAULT SPORT

**2.0****FORMULA  
RENAULT 2.0****32.00**

déc.-2007



RENAULT SPORT



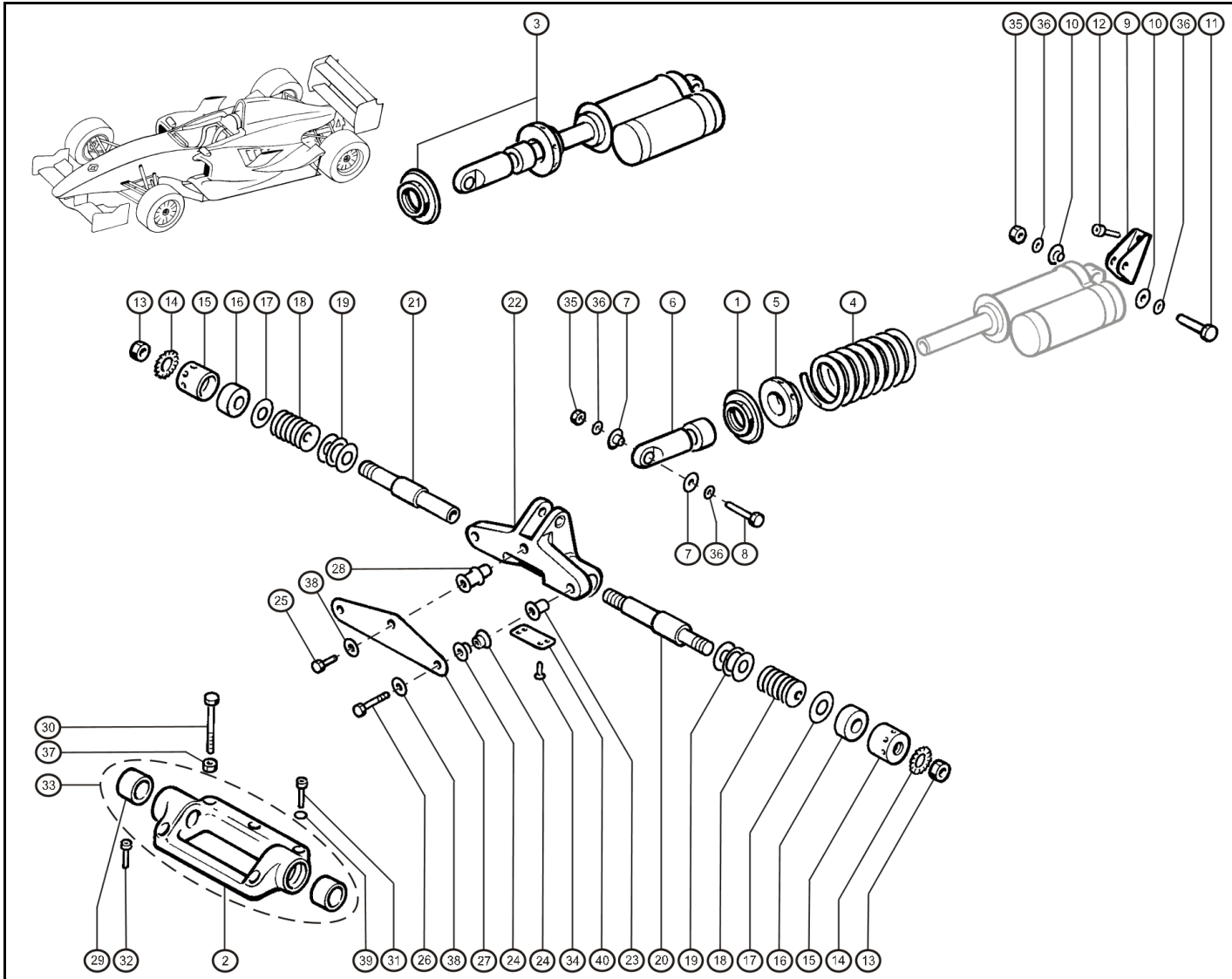
Rep.	Reference	Description	Coef
1	77 11 154 506	Ecrou amortisseur	1
2	77 11 154 482	Bracket	1
3	77 11 154 504	Shock absorber Front assembled	1
4	77 11 154 705	Spring 1000 ib/in	1
	77 11 154 702	Spring 700 ib/in	1
	77 11 154 704	Spring 900 ib/in	1
	77 11 154 703	Spring 800 ib/in	1
	77 11 154 707	Spring 1200 ib/in	1
	77 11 154 706	Spring 1100 ib/in	1
5	77 11 154 566	Coupelle ressort	1
6	77 11 154 485	Extension	1
7	77 11 154 486	Spacer	1
8	77 11 154 708	Screw HM8-50-10	1
9	77 11 154 487	Support amortisseur	1
10	77 11 154 488	Spacer	1
11	77 11 154 696	Screw HM6-30-12	1
12	77 11 154 735	Screw M6-20	1
13	77 11 154 785	Nut	1
14	77 11 154 489	Serrated washer Ø17-24	1
15	77 11 154 490	Logement cales	1
16	77 11 154 491	Spacer	1
17	77 11 154 492	Spacer	1
18	77 11 154 493	Spacer	1
19	77 11 154 494	Bearing	1
20	77 11 154 495	Axe basculeur	1
21	77 11 154 496	Axe basculeur	1
22	77 11 154 497	Rocker	1
23	77 11 154 498	Embout basculeur	1
24	77 11 154 534	Spacer	1
25	77 11 154 709	Screw	1
26	77 11 154 700	Screw AN4-14A	1
27	77 11 154 500	Plaque basculeur	1
28	77 11 154 501	Spacer	1
29	77 11 154 502	Bearing	1
30	77 11 154 734	Screw HM8-70	1
31	77 11 154 786	Screw	1
32	77 11 154 870	Screw	1
33	77 11 154 503	Support amortisseur	1
34	77 11 154 900	Screw M4-10	1
35	77 11 154 701	Nut HM6 Nylstop	1
36	77 11 154 758	Plain washer Ø6x12	1
37	77 11 154 796	Nut	1
38	77 11 154 787	Washer-Onduflex Ø6	1



**2.0**

**FORMULA  
RENAULT 2.0**

**32.00**



Rep.	Reference	Description	Coef
39	77 11 154 781	Plain washer Ø8x16	1
40	77 11 154 505	Plaque basculeur	1



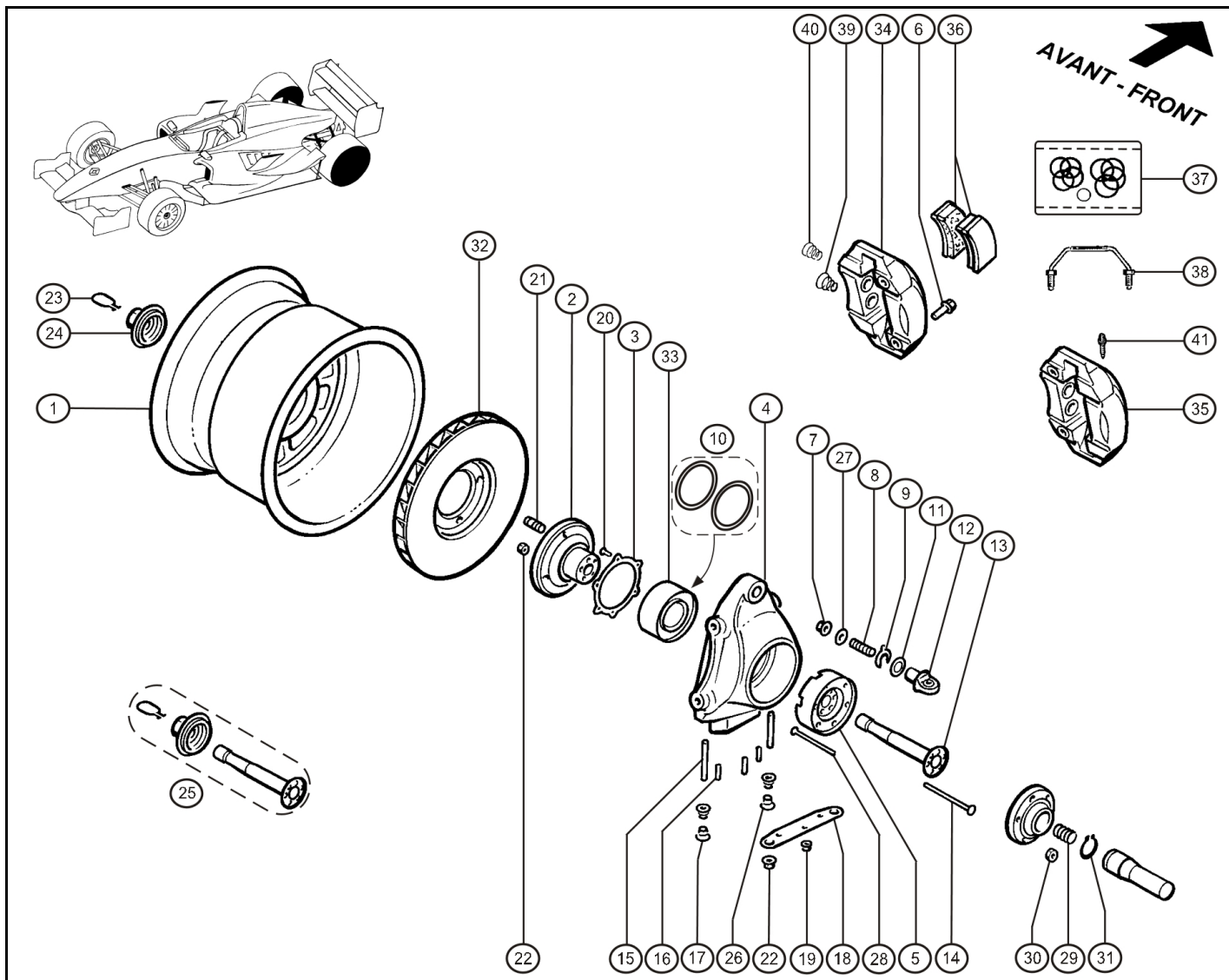
RENAULT SPORT

déc.-2007



RENAULT

**32.00**

**2.0****FORMULA  
RENAULT 2.0****33.00**

Rep.	Reference	Description	Coef
1	77 11 163 069	Wheel Rear	2
2	77 11 154 464	Moyeu roue	1
3	77 11 154 543	Cale de moyeu	1
4	77 11 154 544	Upright-Rear	1
5	77 11 154 545	Flange	1
6	77 11 154 744	CHS Bolt M10-60	1
7	77 11 154 721	nut H FR M12	1
8	77 11 154 546	Shaft	1
9	77 11 154 547	Spacer 1 mm	1
	77 11 154 548	Spacer 2 mm	1
10	77 11 163 147	Kit joints roulement de roue	2
11	77 11 154 549	Washer	1
12	77 11 154 550	Support moyeu	1
13	77 11 154 551	Hub axle	1
	77 11 154 935	Axe moyeu "pas à gauche"	1
14	77 11 154 730	Screw HM8-110-25	1
15	77 11 154 552	Stud M8-70	1
16	77 11 154 553	Stud M6-24	1
17	77 11 154 554	Spacer	1
18	77 11 154 555	plate	1
19	77 11 154 743	nut H FR M6	1
20	77 11 154 724	Screw	1
21	77 11 154 472	Stud	1
22	77 11 154 729	nut H FR M8	1
23	77 11 154 471	Goupille arrêt	1
24	77 11 154 881	Wheel nut	1
	77 11 154 936	Left threaded wheel nut	1
25	77 11 154 948	Kit axe + écrou "pas à gauche"	1
26	77 11 154 560	Spacer	1
27	77 11 154 561	Plain washer Ø13-22	1
28	77 11 154 726	Screw HM8-70-25	1
29	77 11 154 562	Spring	1
30	77 11 154 713	Nut-SIMMONDS M8	1
31	77 03 066 085	Circlips Ø24	2
32	® 77 11 154 126	Brake disc	1
33	77 11 154 118	Hub bearing	1
34	77 11 154 124	Caliper Rear LH	1
35	77 11 154 125	Caliper Rear RH	1
36	77 11 154 251	Set brake pads Ferodo 4003F	2
	77 11 154 949	Jeu de plaquettes Pagid bleu	2
37	77 11 154 261	Kit joints "orange" étrier AV ou AR	2
	77 11 154 995	Kit joints " bleu" étrier AV ou AR	2

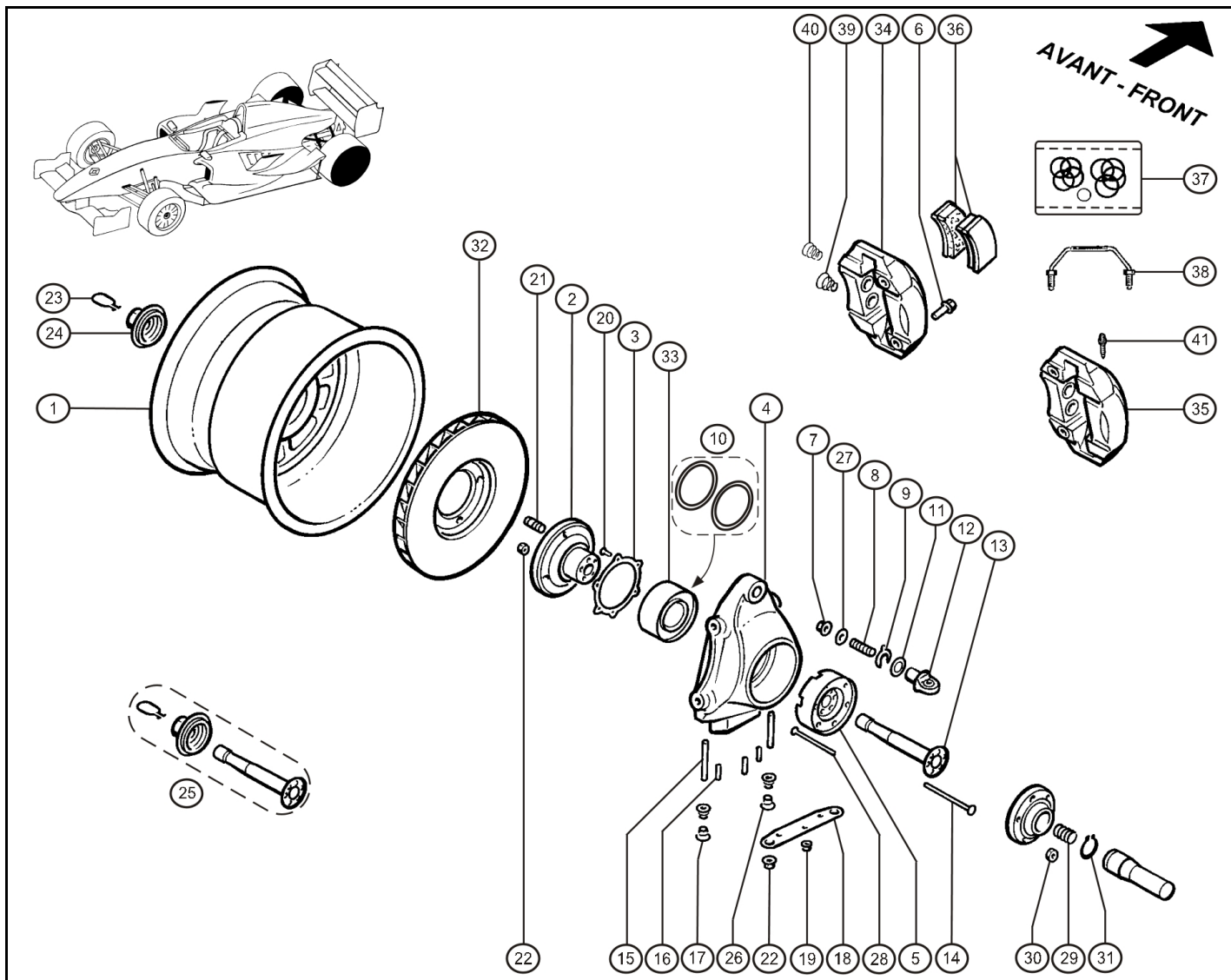
avr.-2009



RENAULT SPORT

**33.00**



**2.0****FORMULA  
RENAULT 2.0****33.00**

Rep.	Reference	Description	Coef
38	77 11 154 262	Tuyau fluide étrier AV et AR	1
39	60 00 072 636	Ressort piston Grand Ø	1
40	60 00 072 637	Ressort piston Petit Ø	1
41	77 11 150 524	Purge	2



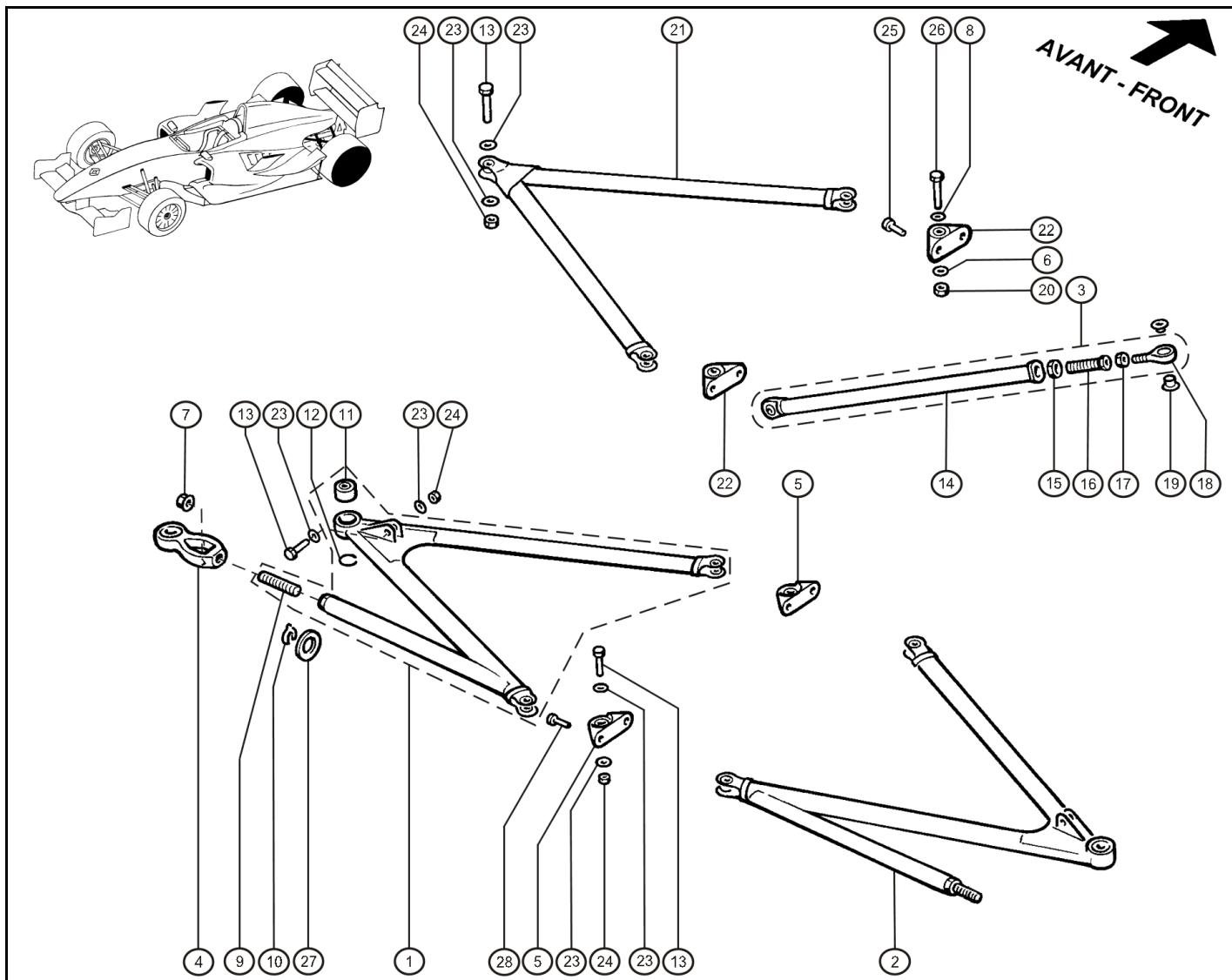
RENAULT SPORT

avr.-2009



RENAULT

**33.00**

**2.0****FORMULA  
RENAULT 2.0****33.10**

Rep.	Reference	Description	Coef
1	77 11 154 879	Wishbone inferior LH	1
2	77 11 154 880	Wishbone inferior RH	1
3	77 11 154 524	Tirant	1
4	77 11 163 148	Articulation triangle	2
	77 11 154 539	Articulation triangle	2
5	77 11 154 537	Support triangle	1
6	77 11 154 712	Washer Ø6x13 ép:3	1
7	77 11 154 711	Nut-SIMMONDS M12	1
8	77 11 154 758	Plain washer Ø6x12	1
9	77 11 154 527	Stud M12-60	1
10	77 11 154 528	Shim 0.3mm	1
	77 11 154 530	Shim 1mm	1
	77 11 154 529	Shim 0.5mm	1
11	77 11 154 716	Rod end bearing-UNIBAL	1
12	77 11 154 531	Circlips	1
13	77 11 154 695	Screw HM8-30-12	1
14	77 11 154 532	Biellette	1
15	77 11 154 698	Nut HM16	1
16	77 11 154 455	Réglage tirant	1
17	77 11 154 699	nut H 3/8" pas à gauche	1
18	77 11 154 697	Embout rotule	1
19	77 11 154 534	Spacer	1
20	77 11 154 701	Nut HM6 Nylstop	1
21	77 11 154 538	Wishbone superior	1
22	77 11 154 535	Support triangle	1
23	77 11 154 738	Washer Ø8x14	1
24	77 11 154 694	Nut HM8 Nylstop	1
25	77 11 154 735	Screw M6-20	1
26	77 11 154 696	Screw HM6-30-12	1
27	77 11 154 536	Plain washer Ø12-22	1
28	77 11 154 766	CHS Bolt M8-20	1



avr.-2009



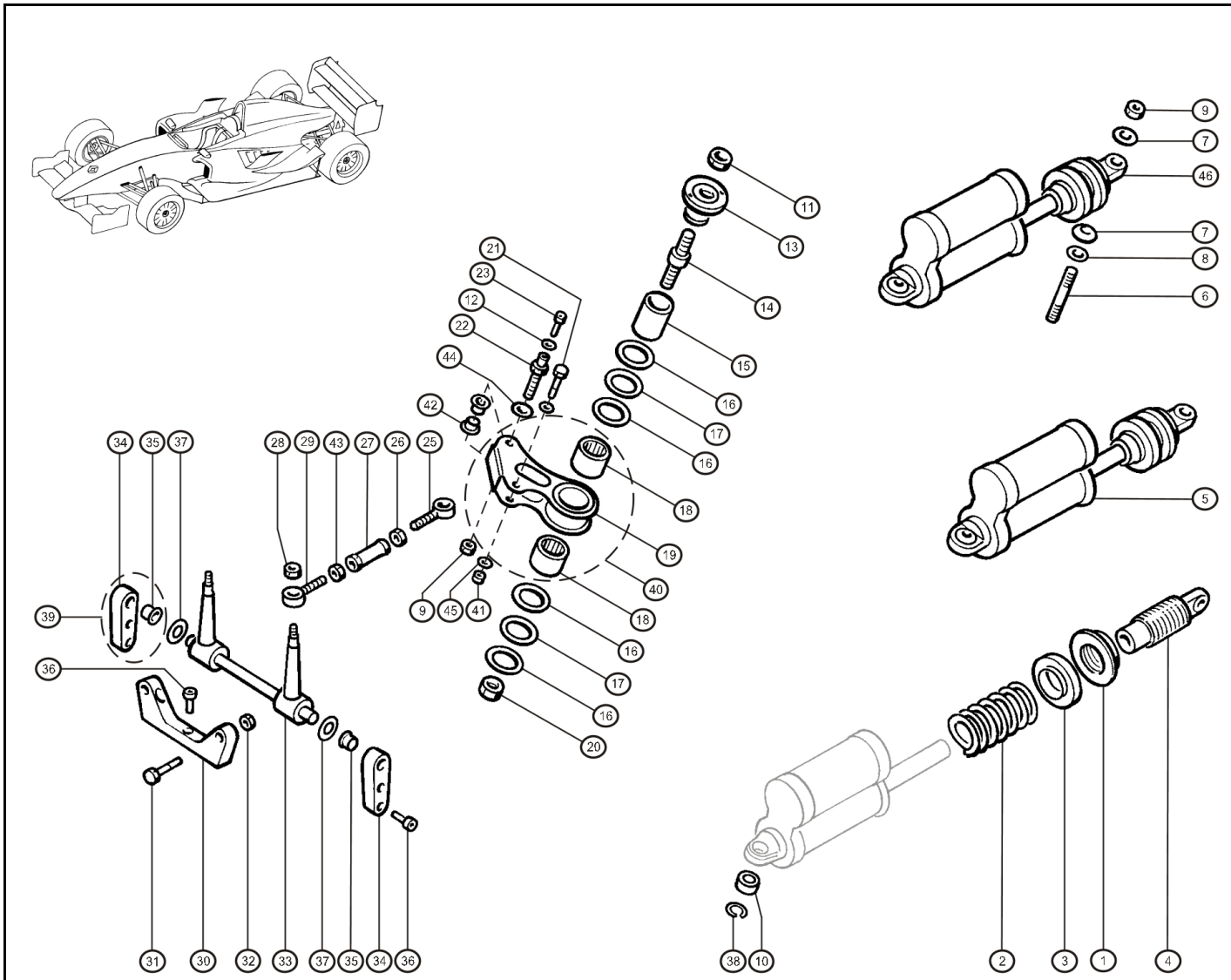
RENAULT SPORT



2.0

FORMULA  
RENAULT 2.0

34.00



Rep.	Reference	Description	Coef
1	77 11 154 506	Ecrou amortisseur	1
2	77 11 154 705	Spring 1000 ib/in	1
	77 11 154 702	Spring 700 ib/in	1
	77 11 154 704	Spring 900 ib/in	1
	77 11 154 703	Spring 800 ib/in	1
	77 11 154 707	Spring 1200 ib/in	1
	77 11 154 706	Spring 1100 ib/in	1
3	77 11 154 566	Coupelle ressort	1
4	77 11 154 567	Extension	1
5	77 11 154 568	Shock absorber RH assembled	1
6	77 11 154 570	Stud M8-54	1
7	77 11 154 571	Spacer	1
8	77 11 154 791	Washer	1
9	77 11 154 729	nut H FR M8	1
10	77 11 154 572	Rod end bearing	1
11	77 11 154 792	Ecrou amortisseur	1
12	77 11 154 878	Washer Ø5	1
13	77 11 154 573	Ecrou fix.amortis.	1
14	77 11 154 574	Stud M12-95	1
15	77 11 154 575	Inlet hose	1
16	77 11 154 576	Spacer	1
17	77 11 154 577	Roulement butée aiguilles	1
18	77 11 154 578	Needle roller bearing	1
19	77 11 154 579	Balancier supérieur	1
20	77 11 154 714	Nut M12	1
21	77 11 154 700	Screw AN4-14A	1
22	77 11 154 580	Stud	1
23	77 11 154 793	Screw	1
25	77 11 154 728	Embout rotule	1
26	77 11 154 794	Nut HM8	1
27	77 11 154 947	Tirant rotule lg:63mm	1
	77 11 154 581	Tirant rotule lg:53mm	1
28	77 11 154 866	Nut	1
29	77 11 154 727	Rod end bearing	1
30	77 11 154 582	Support anti roll-bar	1
31	77 11 154 795	Screw	1
32	77 11 154 796	Nut	1
33	77 11 154 583	Anti roll bar 13 mm	1
	77 11 154 584	Anti roll bar 15 mm	1
	77 11 154 585	Anti roll bar 17 mm	1
34	77 11 154 586	Bracket	1
35	77 11 154 587	Spacer	1
36	77 11 154 735	Screw M6-20	1

déc.-2007



RENAULT SPORT



RENAULT

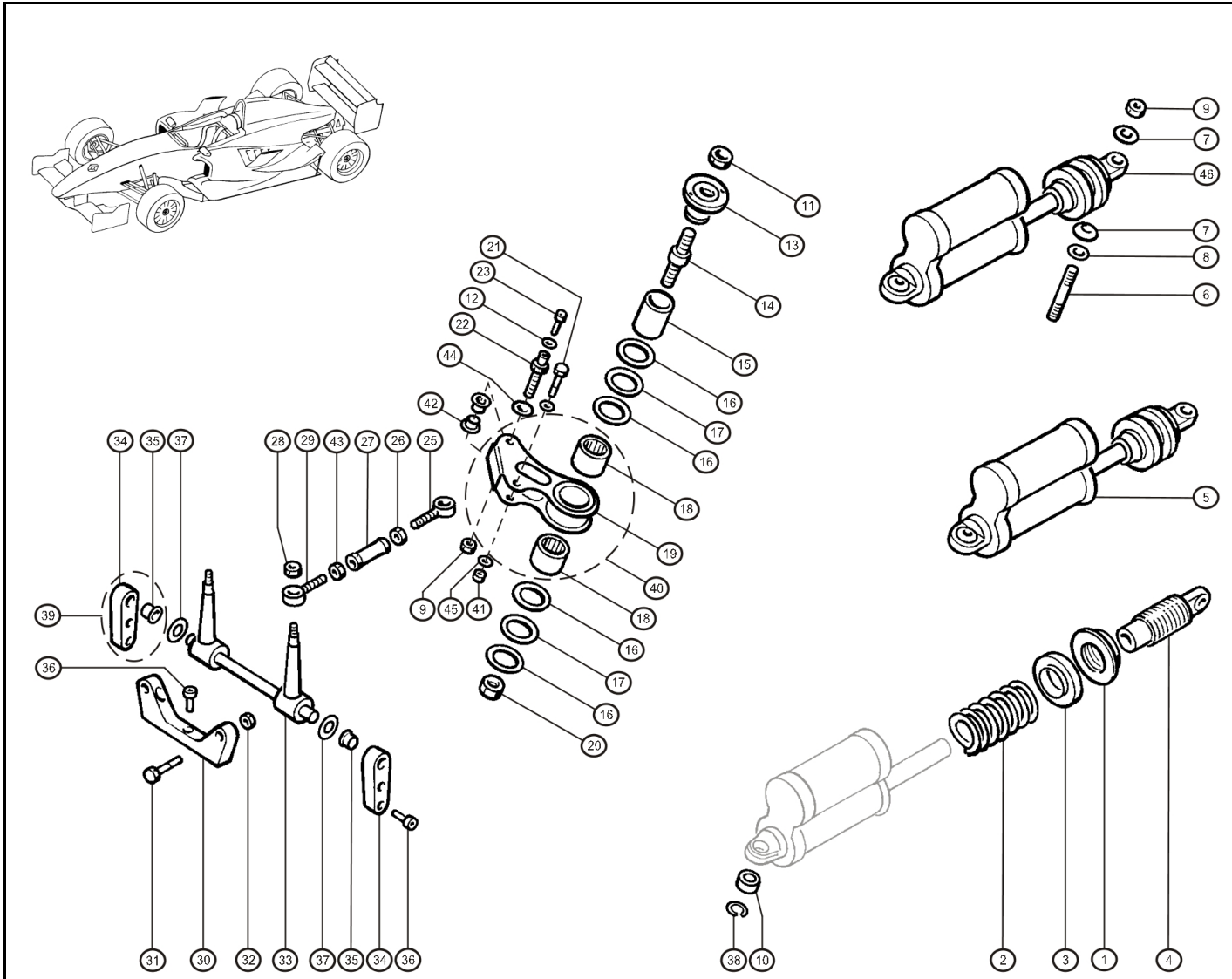
34.00



**2.0**

**FORMULA  
RENAULT 2.0**

**34.00**



Rep.	Reference	Description	Coef
37	77 11 154 588	Rondelle laiton Ø10-21	1
38	77 11 154 589	Circlips	1
39	77 11 154 590	Kit basculeur	1
40	77 11 154 591	Balancier supérieur assemblé	1
41	77 11 154 701	Nut HM6 Nylstop	1
42	77 11 154 592	Spacer	1
43	77 11 154 860	Nut HM8	1
44	77 11 154 780	Washer	1
45	77 11 154 758	Plain washer Ø6x12	1
46	77 11 154 569	Shock absorber LH assembled	1



RENAULT SPORT

déc.-2007



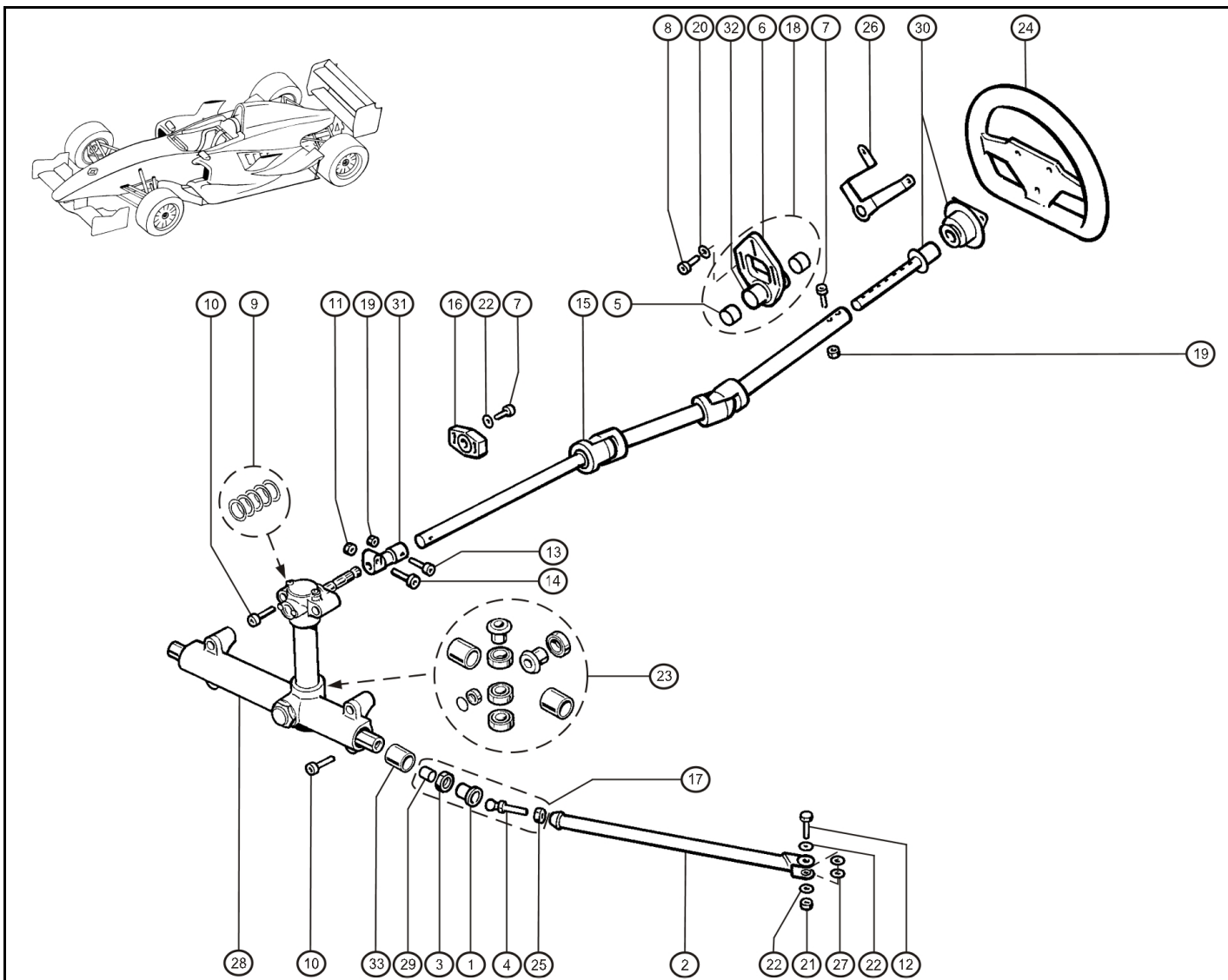
RENAULT



**2.0**

**FORMULA  
RENAULT 2.0**

**36.00**



Rep.	Reference	Description	Coef
1	77 11 154 512	Bush	1
2	77 11 154 513	Steering tierod	1
3	77 11 154 514	Nut	1
4	77 11 154 515	Shaft	1
5	77 11 154 516	Needle roller bearing	1
6	77 11 154 508	Support colonne	1
7	77 11 154 788	Screw	1
8	77 11 154 789	CHS Bolt M6-35-25	1
9	77 11 154 274	Jeu de cales de réglage	1
10	77 11 154 790	Stud M6-47	1
11	77 11 154 694	Nut HM8 Nylstop	1
12	77 11 154 710	Screw HM6-35-10	1
13	77 11 154 739	Screw	1
14	77 11 154 695	Screw HM8-30-12	1
15	77 11 154 507	Steering column	1
16	77 11 154 517	Support colonne	1
17	77 11 154 518	Collection rotule	1
18	77 11 154 519	Collection support colonne	1
19	77 11 154 743	nut H FR M6	1
20	77 11 154 901	Washer Ø6x18	1
21	77 11 154 701	Nut HM6 Nylstop	1
22	77 11 154 758	Plain washer Ø6x12	1
23	77 11 154 273	Repair kit	1
24	77 11 154 934	Steering wheel	1
25	77 11 154 765	Nut HM8	1
26	77 11 154 520	Support compteur	1
27	77 11 154 521	Seal	1
28	77 11 154 110	Crémaillère dir. ass.	1
29	77 11 154 511	Cale Nylon	2
30	77 11 154 303	Moyeu rapide	1
31	77 11 154 510	Pied de colonne	1
33	77 11 154 220	Bague cuivre	2



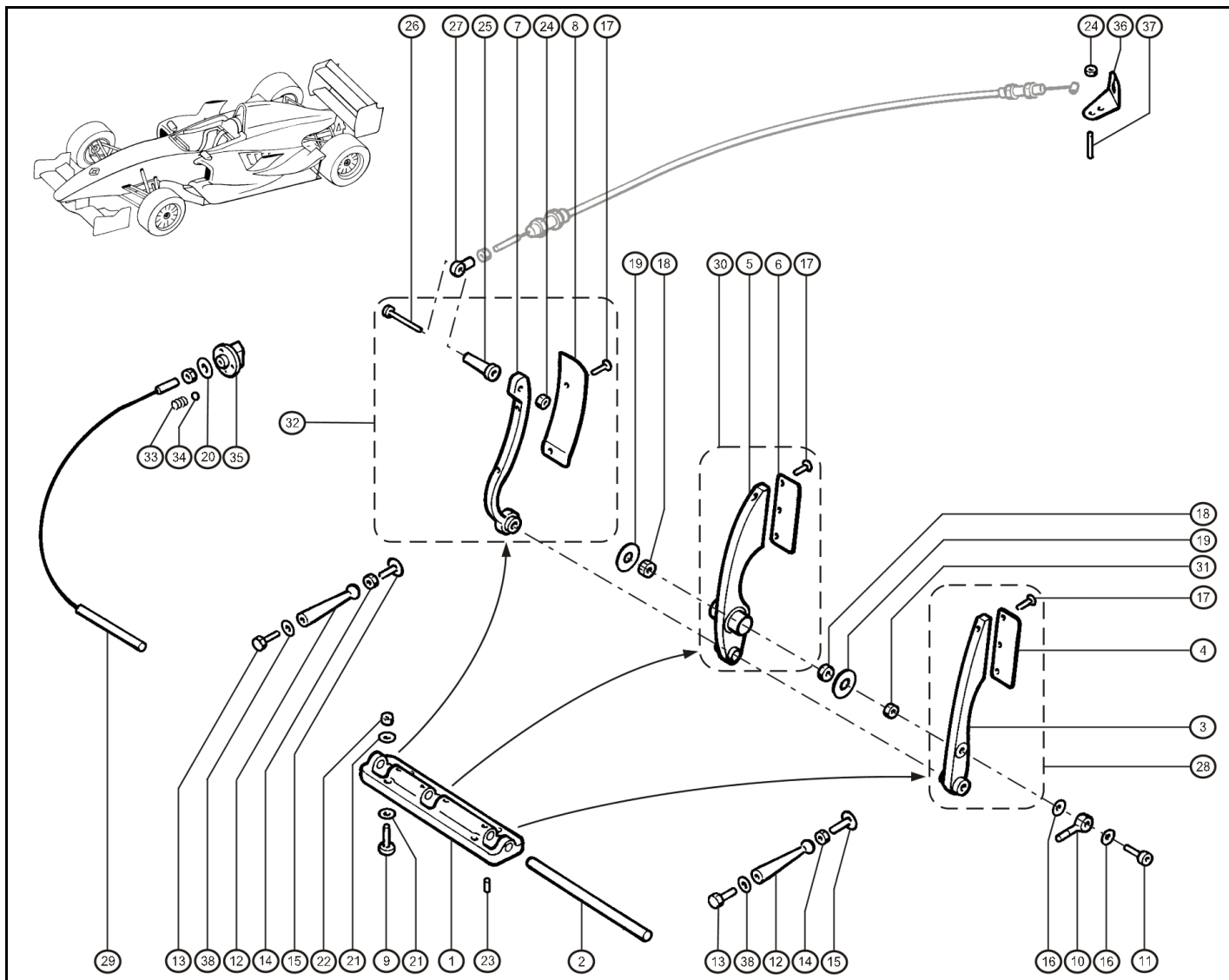
RENAULT SPORT

nov.-2007



RENAULT

**36.00**

**2.0****FORMULA  
RENAULT 2.0****37.00**

Rep.	Reference	Description	Coef
1	77 11 154 603	Support pédalier	1
2	77 11 154 604	Axe pédalier	1
3	77 11 154 605	Clutch pedal	1
4	77 11 154 606	Pedal pad	1
5	77 11 154 607	Brake pedal	1
6	77 11 154 608	Pedal pad	1
7	77 11 154 609	Accelerator pedal	1
8	77 11 154 610	Pedal pad	1
9	77 11 154 779	Button head socket screw M8-30	1
10	77 11 154 797	Embout de rotule	1
11	77 11 154 885	Screw	1
12	77 11 154 611	Butée de pédale	1
13	77 11 154 886	BHS Bolt M8-45	1
14	77 11 154 860	Nut HM8	1
15	77 11 154 612	Fixation butée de pédale	1
16	77 11 154 787	Washer-Onduflex Ø6	1
17	77 11 154 887	CHS Bolt M5-16	1
18	77 11 154 740	Nut M6	1
19	77 11 154 888	Washer	1
20	77 11 154 791	Washer	1
21	77 11 154 781	Plain washer Ø8x16	1
22	77 11 154 867	Nut	1
23	77 11 154 614	Téton	1
24	77 11 154 864	Nut	1
25	77 11 154 615	Spacer	1
26	77 11 154 868	CHS Bolt M5-55-24	1
27	77 11 154 798	Embout de rotule	1
28	77 11 154 624	Clutch pedal Assembled	1
29	77 11 154 842	Cable de frein	1
30	77 11 154 623	Brake pedal assembled	1
31	77 11 154 743	nut H FR M6	1
32	77 11 154 622	Accelerator pedal Assembled	1
33	77 11 154 617	Spring	1
34	77 11 154 618	Ball	1
35	77 11 154 619	Molette de cable	1
36	77 11 154 620	Support cable	1
37	77 11 154 621	Stud	1
38	77 11 154 780	Washer	1



avr.-2009



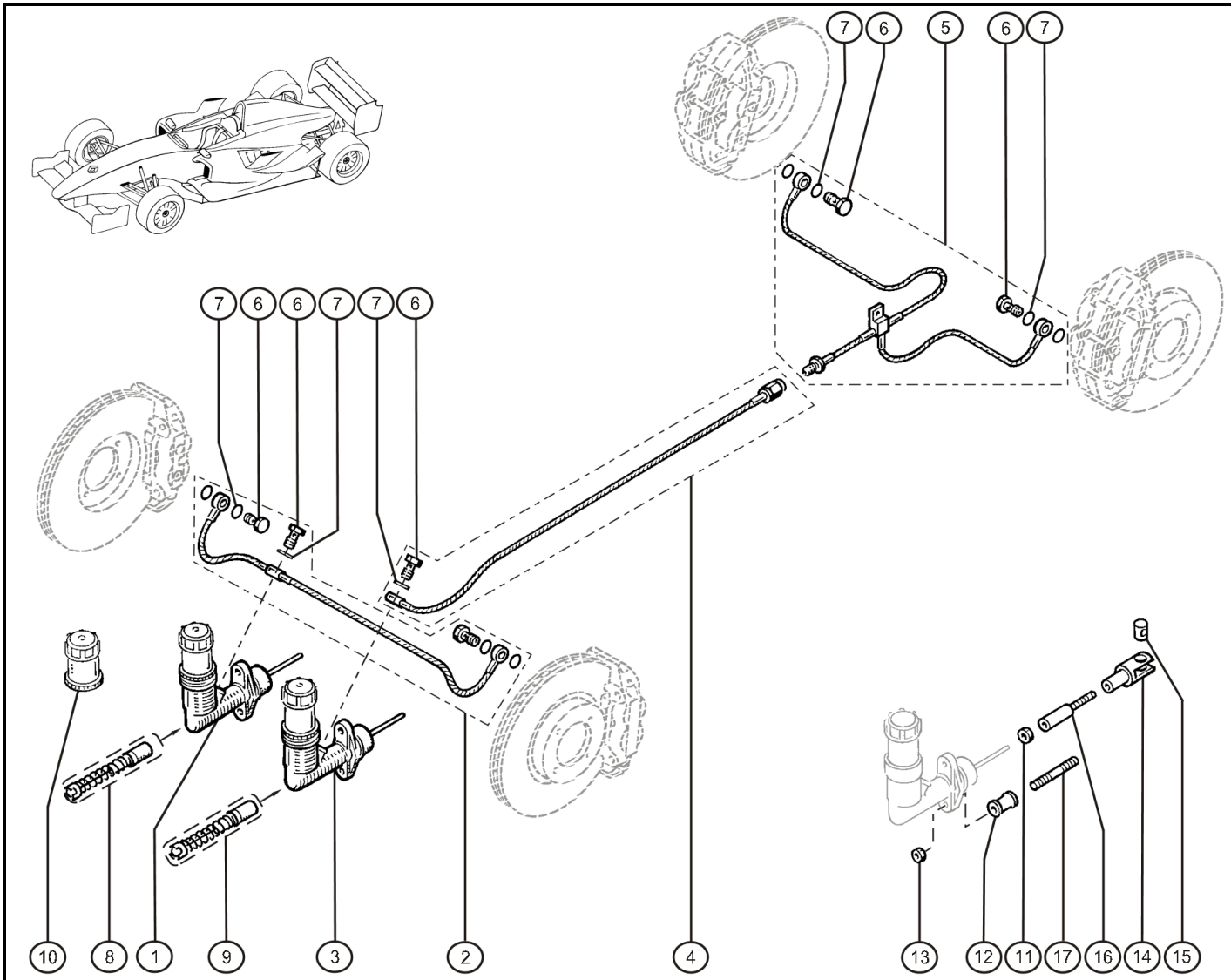
RENAULT SPORT



**2.0**

**FORMULA  
RENAULT 2.0**

**37.40**



Rep.	Reference	Description	Coef
1	77 11 154 146	Master Cylinder Front 5/8	1
2	77 11 154 151	Flexible freins AV	1
3	77 11 154 148	Master Cylinder Rear 3/4	1
4	77 11 154 152	Flexible MC vers freins AR	1
5	77 11 154 160	Flexible freins AR	1
6	77 11 153 550	Union bolt	1
7	77 11 156 532	Copper washer 10x14x1	1
8	77 11 150 526	Coll. réparation MC AV 5/8	1
9	77 11 150 527	Coll. réparation MC AR 3/4	1
10	77 11 153 427	Réhausse réservoir	1
11	77 11 154 765	Nut HM8	1
12	77 11 154 630	Spacer	1
13	77 11 154 729	nut H FR M8	1
14	77 11 154 625	Embout M.C.	1
15	77 11 154 626	Shaft	1
16	77 11 154 628	Axe réglage M.C.	1
17	77 11 154 552	Stud M8-70	1



avr.-2006



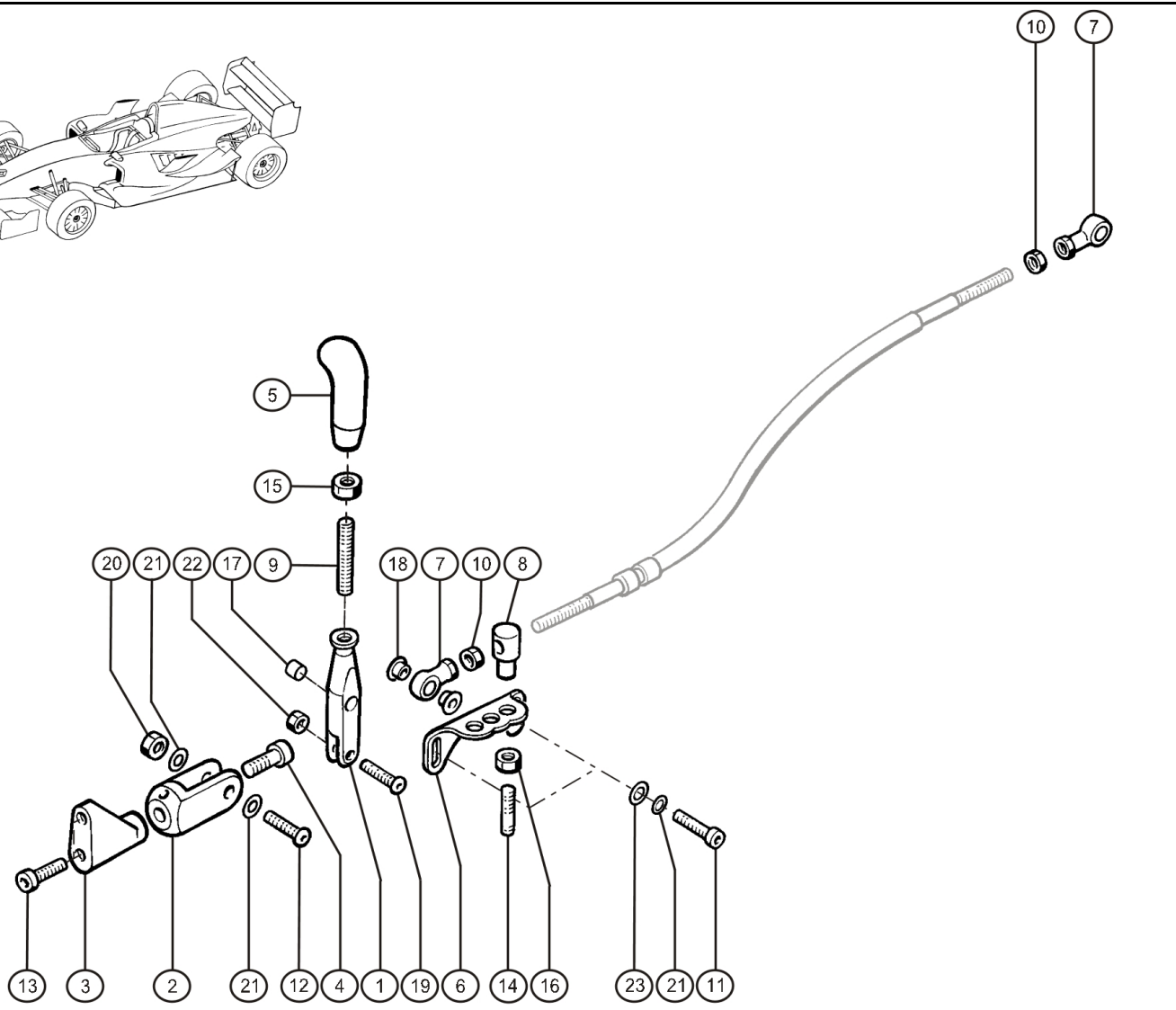
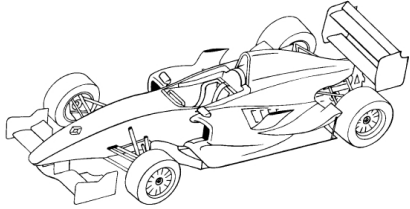
RENAULT SPORT



2.0

FORMULA  
RENAULT 2.0

38.00



Rep.	Reference	Description	Coef
1	77 11 154 594	Lever gearshift	1
2	77 11 154 595	Mounting-lever	1
3	77 11 154 596	Mounting-lever	1
4	77 11 154 908	CHS Bolt M10-25	1
5	77 11 154 597	lever knob	1
6	77 11 154 718	Mounting-lever	1
7	77 11 154 731	Rod end bearing	1
8	77 11 154 598	Support cable levier	1
9	77 11 154 602	Stud M10-45	1
10	77 11 154 865	Nut M6	1
11	77 11 154 754	Screw	1
12	77 11 154 883	Screw	1
13	77 11 154 789	CHS Bolt M6-35-25	1
14	77 11 154 599	Goujon support M6-20	1
15	77 11 154 740	Nut M6	1
16	77 11 154 714	Nut M12	1
17	77 11 154 600	Spacer	1
18	77 11 154 601	Spacer	1
19	77 11 154 884	Screw m5-25 10.9	1
20	77 11 154 743	nut H FR M6	1
21	77 11 154 787	Washer-Onduflex Ø6	1
22	77 11 154 864	Nut	1
23	77 11 154 758	Plain washer Ø6x12	1



nov.-2007



RENAULT SPORT

38.00

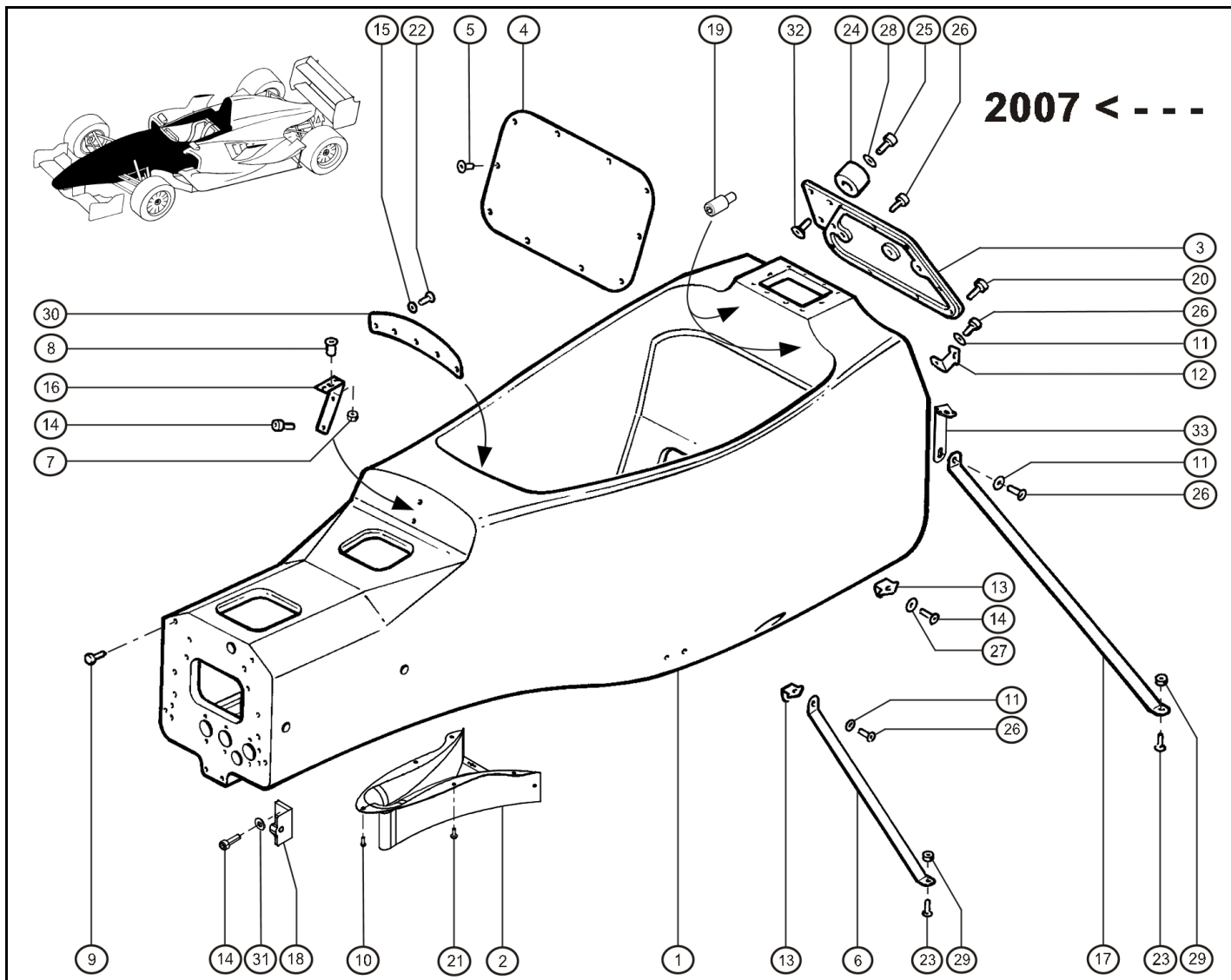




**2.0**

**FORMULA  
RENAULT 2.0**

**40.00**



Rep.	Reference	Description	Coef
1	77 11 154 350	Chassis	1
2	77 11 163 096	Chassis bib	1
3	77 11 154 356	Trappe réservoir	1
4	77 11 154 357	Trappe chassis	1
5	77 11 154 859	Button head socket screw M5-10	1
6	77 11 163 106	Tirant de plancher	2
7	77 11 154 748	Nut	1
8	77 11 154 360	Anchor nut	1
9	77 11 154 754	Screw	1
10	77 11 154 768	Button head socket screw M5-16	1
11	77 11 154 878	Washer Ø5	1
12	77 11 154 750	Equerre de fixation	1
13	77 11 154 751	Equerre de fixation	1
14	77 11 154 735	Screw M6-20	1
15	77 11 154 760	Plain washer Ø4-8	1
16	77 11 154 752	Equerre de fixation	1
17	77 11 154 753	Tirant de plancher	1
18	77 11 163 089	Support inf. de nez	2
19	77 11 154 373	Bracket	1
20	77 11 154 869	Screw	1
21	77 11 154 756	Screw M6-16	1
22	77 11 154 759	Button head socket screw M4-16	1
23	77 11 154 757	FHS Bolt M5-15	1
24	77 11 154 371	Spacer	1
25	77 11 154 769	Screw	1
26	77 11 154 862	BHS Bolt M5-20	1
27	77 11 154 758	Plain washer Ø6x12	1
28	77 11 154 712	Washer Ø6x13 ép:3	5
29	77 11 154 733	Nut-SIMMONDS M5	1
30	77 11 154 372	Air deflector	1
31	77 11 154 901	Washer Ø6x18	2
32	77 11 154 897	Screw	1
33	77 11 163 118	Support G	1
	77 11 163 119	Support D	1



juin-2007



RENAULT SPORT

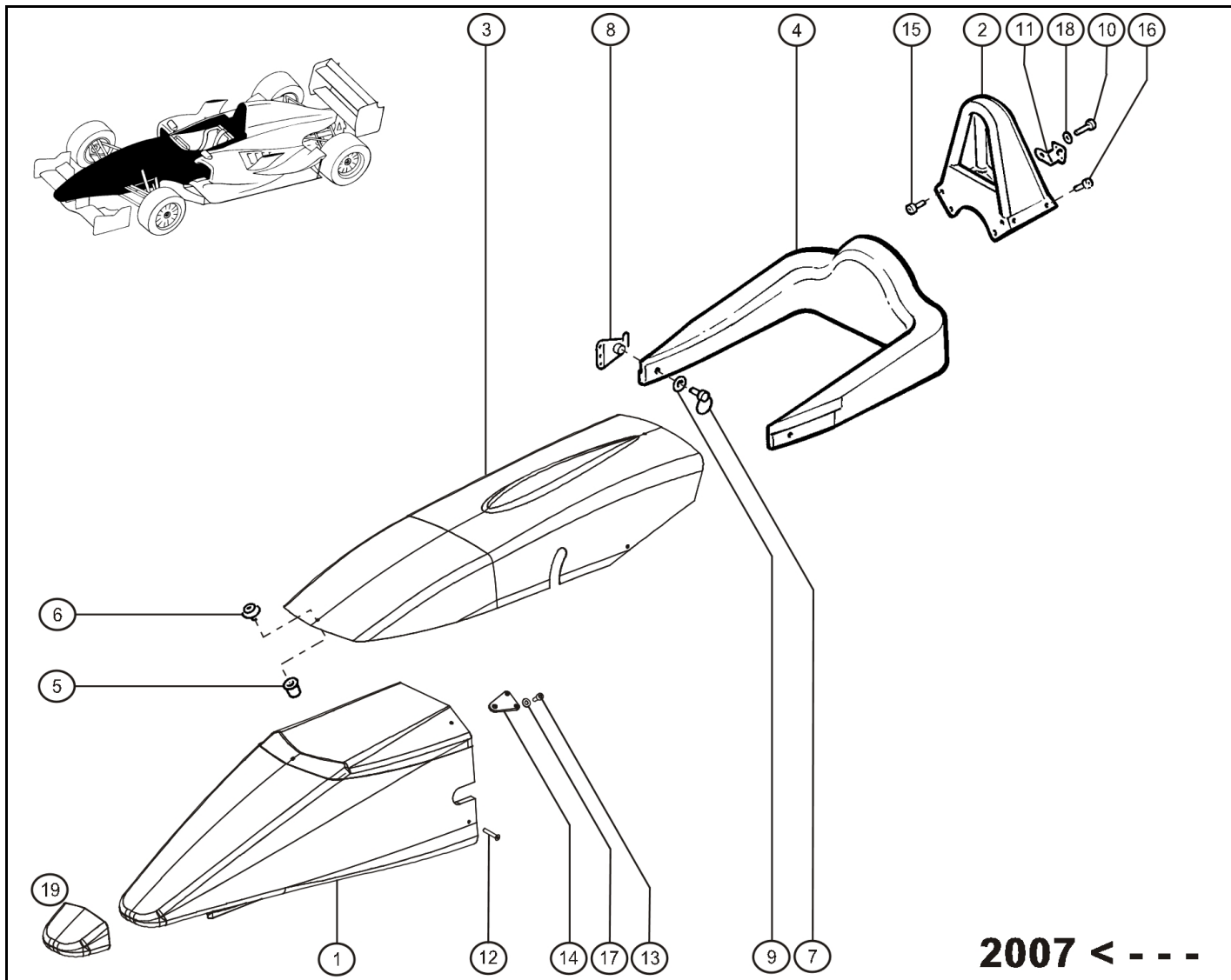
40.00



**2.0**

**FORMULA  
RENAULT 2.0**

**40.10**



Rep.	Reference	Description	Coef
1	77 11 163 071	Nosebox	1
2	77 11 154 352	Secure rollage	1
3	77 11 163 091	Bonnet	1
4	77 11 154 355	Housing superior	1
5	77 11 154 360	Anchor nut	1
6	77 11 154 749	Fixation capot AV	1
7	77 11 154 362	Attache coiffe	1
8	77 11 154 363	Support attache	1
9	77 11 154 896	Washer	4
10	77 11 154 754	Screw	1
11	77 11 154 750	Equerre de fixation	1
12	77 11 154 755	Button head socket screw M6-35	1
13	77 11 154 756	Screw M6-16	1
14	77 11 163 090	Support sup. de nez	2
15	77 11 154 766	CHS Bolt M8-20	1
16	77 11 154 903	Vis CBHC M8-16	1
17	77 11 154 787	Washer-Onduflex Ø6	1
18	77 11 154 758	Plain washer Ø6x12	1
19	77 11 163 070	Nose tip	1

**2007 < - - -**

juin-2007



RENAULT SPORT



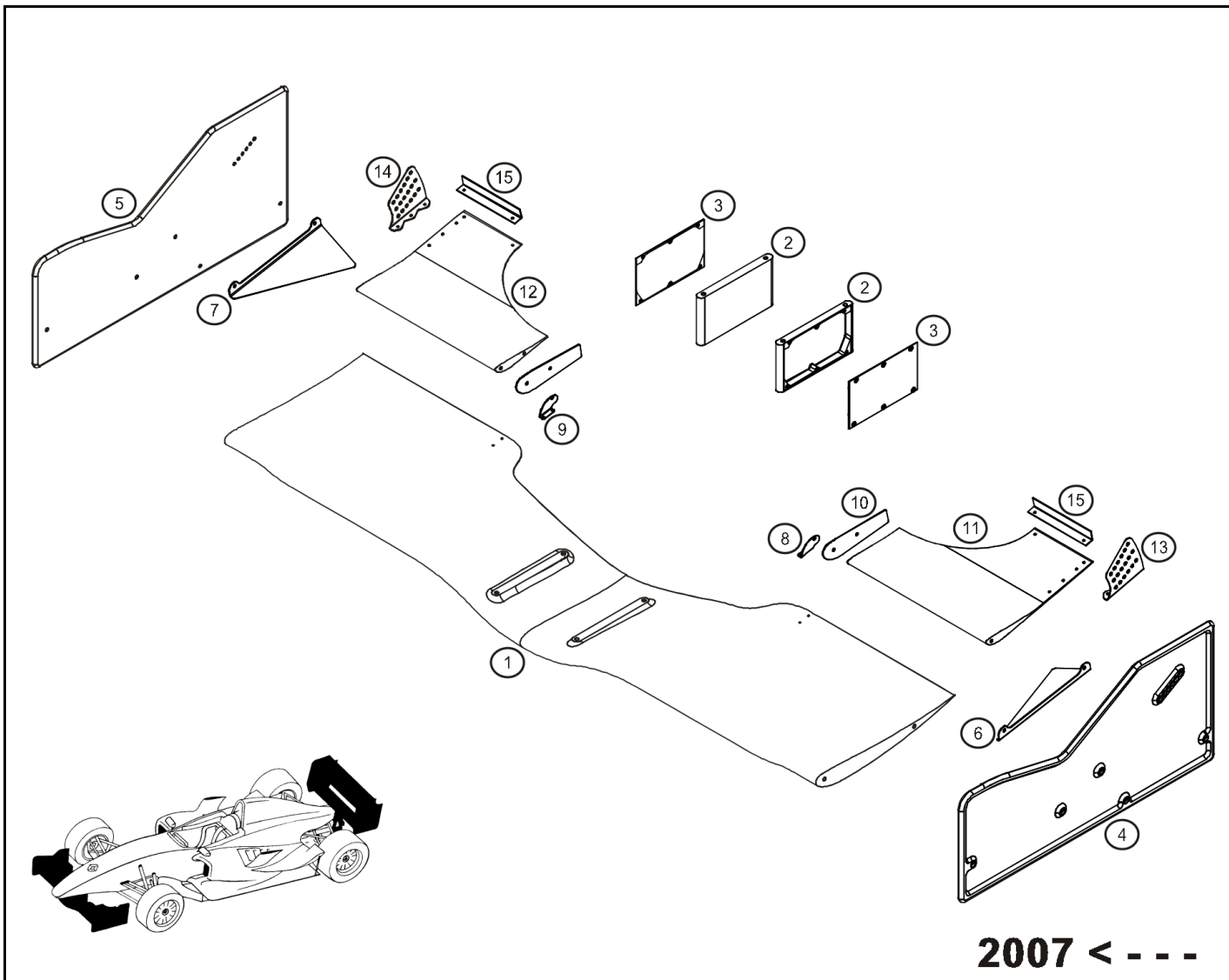
RENAULT



**2.0**

**FORMULA  
RENAULT 2.0**

**41.00**



Rep.	Reference	Description	Coef
1	77 11 163 076	Front Wing	1
2	77 11 163 072	Support aile AV	2
3	77 11 163 074	Couvercle de support d'aile AV	2
4	77 11 163 077	Dérive G aile AV	1
5	77 11 163 078	Dérive D aile AV	1
6	77 11 163 079	Défecteur G aile AV	1
7	77 11 163 080	Défecteur D aile AV	1
8	77 11 163 081	Support de flap G	1
9	77 11 163 082	Support de flap D	1
10	77 11 163 083	Dérive de flap	2
11	77 11 163 084	LH Front flap	1
12	77 11 163 085	RH Front flap	1
13	77 11 163 086	Régleur de flap G	1
14	77 11 163 087	Régleur de flap D	1
15	77 11 163 088	Equerre de flap	2

**2007 < - - -**



RENAULT SPORT

juin-2007



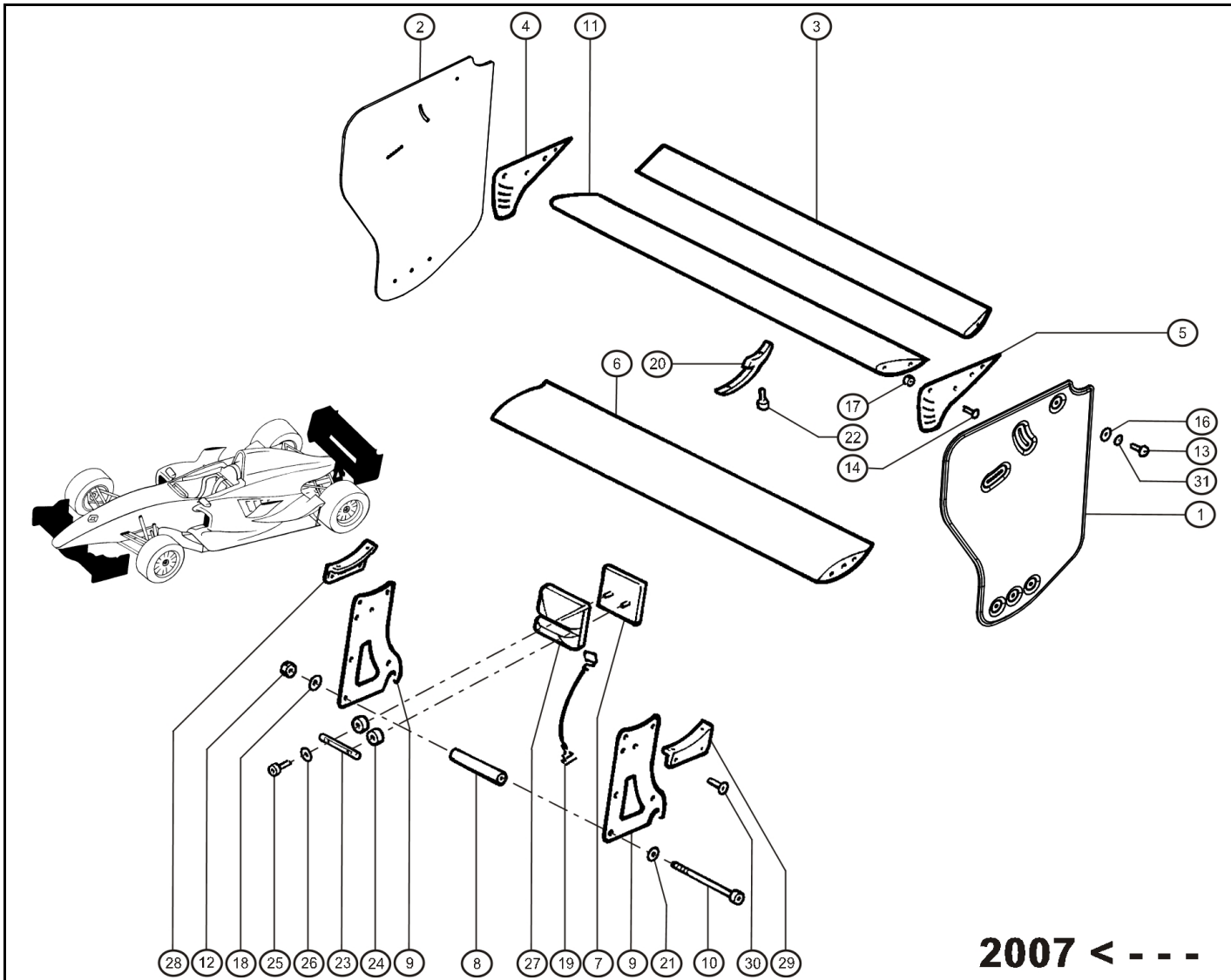
RENAULT



**2.0**

**FORMULA  
RENAULT 2.0**

**41.10**



Rep.	Reference	Description	Coef
1	77 11 163 120	Dérive G aile AR	1
2	77 11 163 121	Dérive D aile AR	1
3	77 11 154 426	Rear spoiler	1
4	77 11 154 427	Plaque D réglage aileron AR	1
5	77 11 154 428	Plaque G réglage aileron AR	1
6	77 11 154 429	Rear aerofoil inferior	1
7	77 11 154 430	Rear light	1
8	77 11 154 431	Spacer	1
9	77 11 154 432	Support aileron AR	1
10	77 11 154 767	CHS Bolt M8-150-30	1
11	77 11 154 433	Rear aerofoil superior	1
12	77 11 154 784	Nut-SIMMONDS M8	1
13	77 11 154 768	Button head socket screw M5-16	1
14	77 11 154 757	FHS Bolt M5-15	1
16	77 11 154 770	Washer	1
17	77 11 154 737	Nut-SIMMONDS M6	1
18	77 11 154 771	Washer	1
19	77 11 154 773	Extension	1
20	77 11 154 445	Mouette de becquet AR	1
21	77 11 154 780	Washer	1
22	77 11 154 446	Screw	1
23	77 11 154 447	Spacer	1
24	77 11 154 371	Spacer	1
25	77 11 154 772	Button head socket screw M6-14	1
26	77 11 154 787	Washer-Onduflex Ø6	1
27	77 11 154 449	Cache feu AR	1
28	77 11 154 450	Support D d'aileron	1
29	77 11 154 451	Support G d'aileron	1
30	77 11 154 719	FHS Bolt M6-20	1
31	77 11 154 774	Washer-Onduflex Ø5	1

**2007 < - - -**

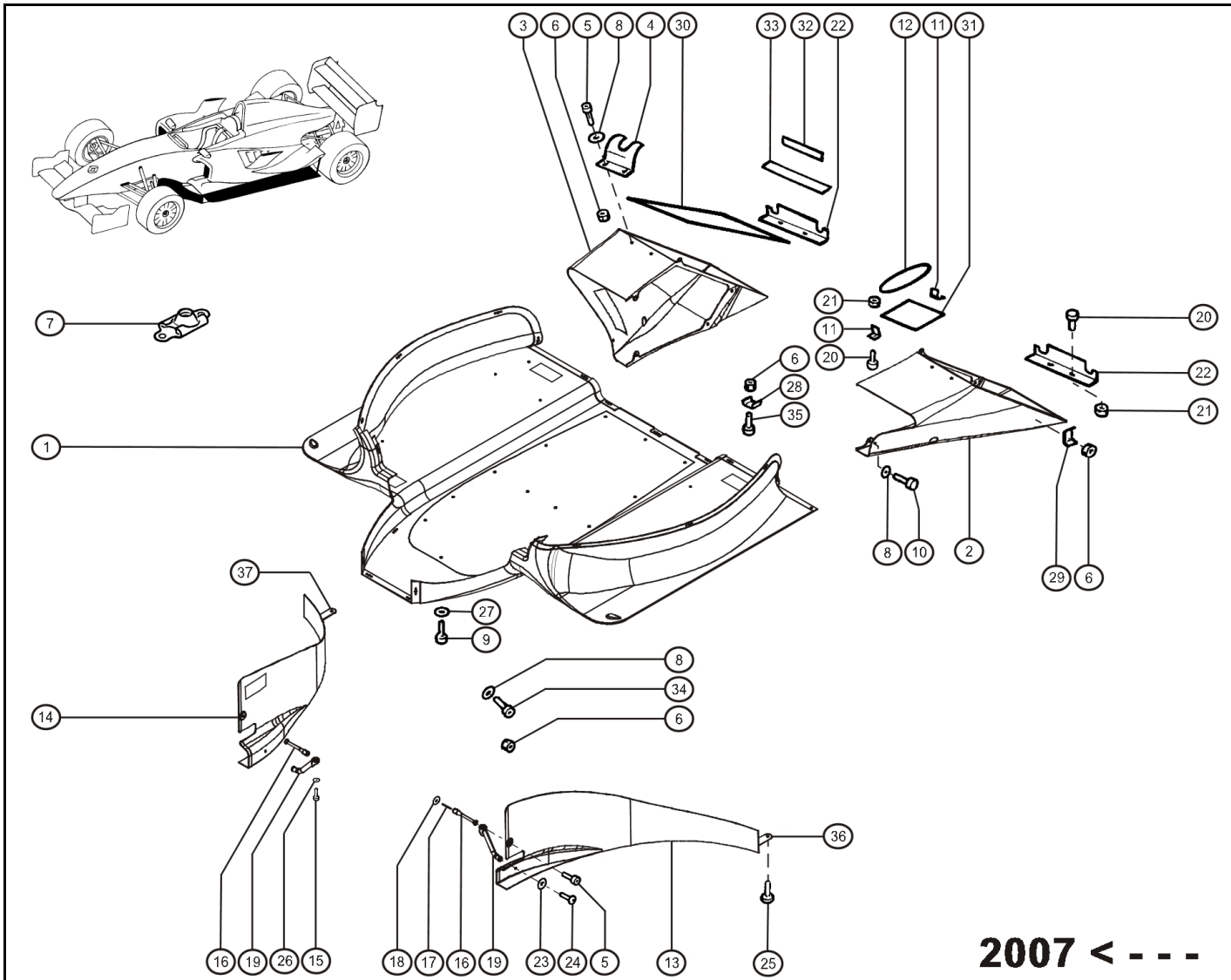
juin-2007



RENAULT SPORT



RENAULT

**2.0****FORMULA  
RENAULT 2.0****42.00**

Rep.	Reference	Description	Coef
1	77 11 163 097	Plancher AV	1
2	77 11 163 107	Entrée d'air radiateur G	1
3	77 11 163 108	Entrée d'air radiateur D	1
4	77 11 154 390	Retaining bracket	1
5	77 11 154 859	Button head socket screw M5-10	1
6	77 11 154 733	Nut-SIMMONDS M5	1
7	77 11 065 787	Ecrou à riveter Ø5	1
8	77 11 154 774	Washer-Onduflex Ø5	1
9	77 11 154 875	Screw	1
10	77 11 154 764	BHS Bolt M5-12	1
11	77 11 154 400	Crochet	1
12	77 11 154 401	Seal	1
13	77 11 163 092	Déflexeur G ponton	1
14	77 11 163 093	Déflexeur D ponton	1
15	77 11 154 789	CHS Bolt M6-35-25	1
16	77 11 163 094	Support sup. déflexeur	2
17	77 11 163 126	Stud	2
18	77 11 163 140	Washer	2
19	77 11 163 095	Support inf. déflexeur	2
20	77 11 154 333	BHS Bolt m4-10 cl.10/9	1
21	77 11 154 863	Nut	1
22	77 11 154 826	Radiator Bracket	1
23	77 11 154 829	Plain washer Ø5x19 ép:3	1
24	77 11 154 861	Screw	1
25	77 11 154 887	CHS Bolt M5-16	1
26	77 11 154 787	Washer-Onduflex Ø6	1
27	77 11 154 771	Washer	1
28	77 11 154 830	Anneau	1
29	77 11 154 831	Anneau	1
30	77 11 154 832	Seal	1
31	77 11 154 833	Foam	1
32	77 11 154 834	Foam	1
33	77 11 154 835	Foam	1
34	77 11 154 768	Button head socket screw M5-16	1
35	77 11 154 877	Screw M5-12	1
36	77 11 163 141	Support G	1
37	77 11 163 142	Support D	1

**2007 < - - -**

avr.-2009



RENAULT SPORT



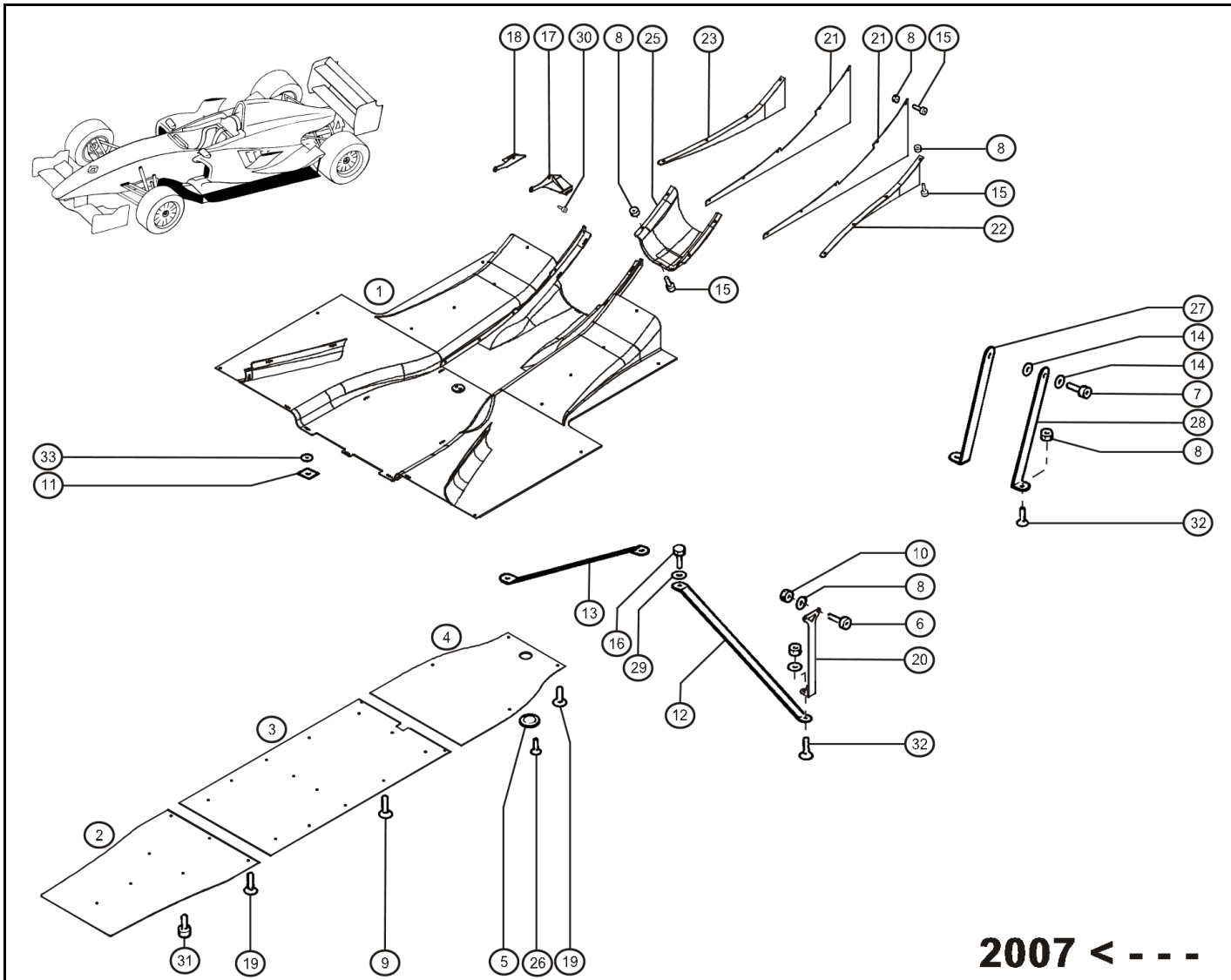
42.00



**2.0**

**FORMULA  
RENAULT 2.0**

**42.10**



Rep.	Reference	Description	Coef
1	77 11 163 098	diffuser	1
2	77 11 163 103	Front wood	1
3	77 11 163 144	Central wood	1
4	77 11 163 105	Rear wood	1
5	77 11 154 389	Spacer	1
6	77 11 154 859	Button head socket screw M5-10	1
7	77 11 154 872	Button head socket screw M6-20	1
8	77 11 154 733	Nut-SIMMONDS M5	1
9	77 11 154 762	FHS Bolt M6-15	1
10	77 11 154 774	Washer- Onduflex Ø5	1
11	77 11 154 395	Spacer	1
12	77 11 154 809	Tirant G	1
13	77 11 154 810	Tirant D	1
14	77 11 154 758	Plain washer Ø6x12	1
15	77 11 154 764	BHS Bolt M5-12	1
16	77 11 154 873	Screw HM6-12	1
17	77 11 163 116	Support G plancher	1
18	77 11 163 117	Support D plancher	1
19	77 11 154 757	FHS Bolt M5-15	1
20	77 11 163 115	Support déflecteur de roue AR	2
21	77 11 163 100	Dérive centrale extracteur	2
22	77 11 163 101	Dérive ext. G extracteur	1
23	77 11 163 102	Dérive ext. D extracteur	1
25	77 11 163 099	Extention extracteur	1
26	77 11 154 719	FHS Bolt M6-20	1
27	77 11 154 827	Tirant aile ARD	1
28	77 11 154 828	Tirant aile ARG	1
29	77 11 154 787	Washer- Onduflex Ø6	1
30	77 11 154 874	Screw	1
31	77 11 154 720	Button head socket screw M5-15	1
32	77 11 154 877	Screw M5-12	1
33	77 11 154 858	Washer Ø6x20 ép:4	1

**2007 < - - -**



avr.-2008



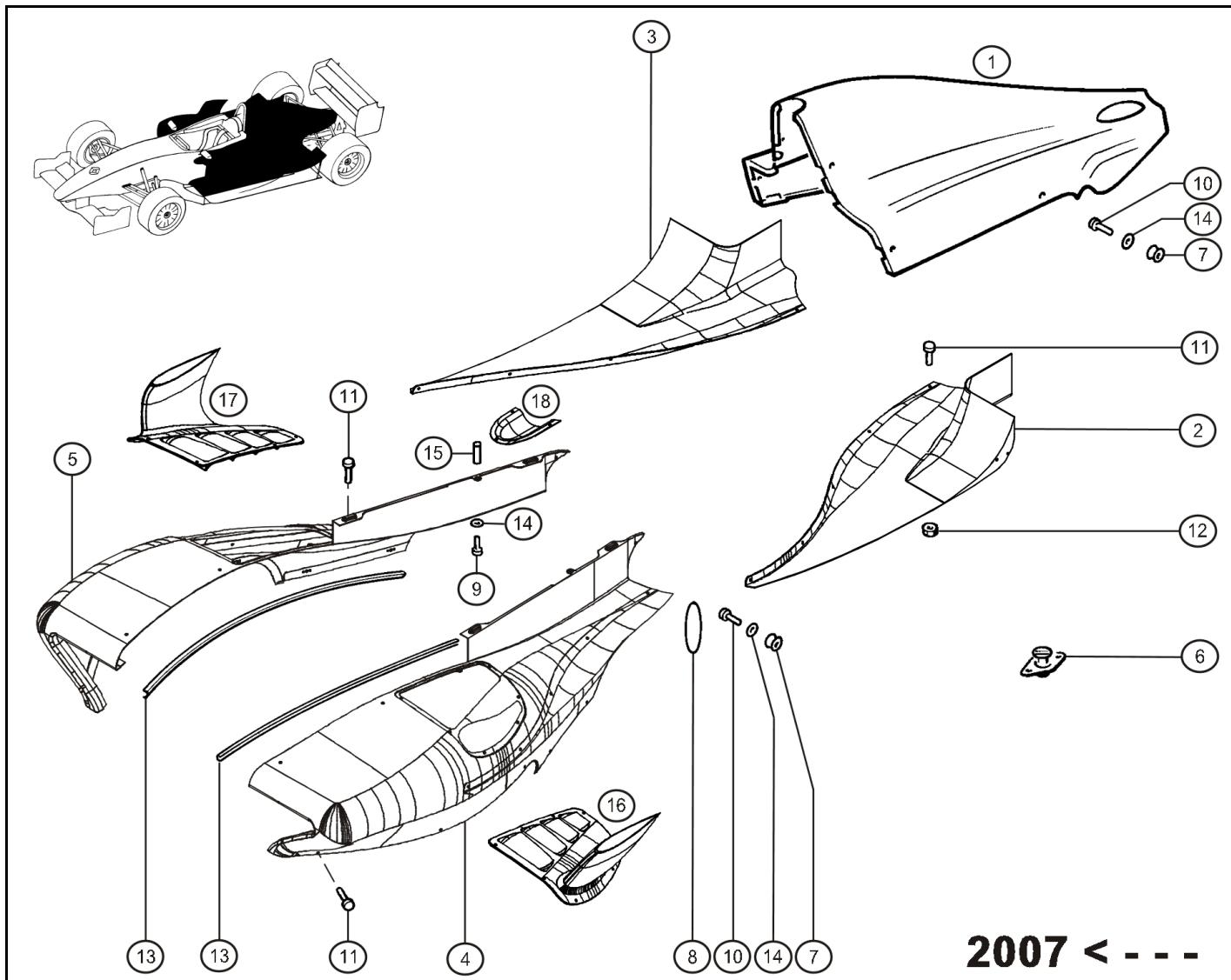
RENAULT SPORT



**2.0**

**FORMULA  
RENAULT 2.0**

**43.00**



Rep.	Reference	Description	Coef
1	77 11 154 836	Engine cover	1
2	77 11 163 113	Déflexeur roue ARG	1
3	77 11 163 114	Déflexeur roue ARD	1
4	77 11 163 109	LH sidepod	1
5	77 11 163 110	RH sidepod	1
6	77 11 154 367	Dzeus	1
7	77 11 154 412	Retaining seal	1
8	77 11 154 413	Elastique	1
9	77 11 154 899	Screw	1
10	77 11 154 763	CHS Bolt M5-10	1
11	77 11 154 764	BHS Bolt M5-12	1
12	77 11 154 733	Nut-SIMMONDS M5	1
13	77 11 154 414	Joints de ponton	1
14	77 11 154 878	Washer Ø5	1
15	77 11 154 841	Shaft	1
16	77 11 163 111	Cheminée G	1
17	77 11 163 112	Cheminée D	1
18	77 11 163 127	Couvercle d'échappement	1

**2007 < - - -**



juin-2007



RENAULT SPORT

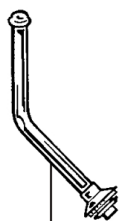
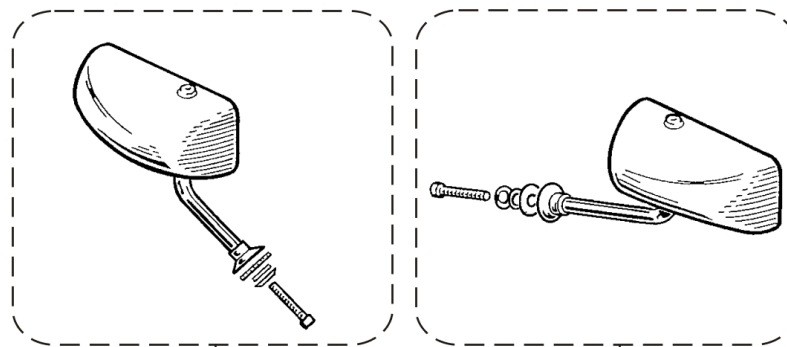
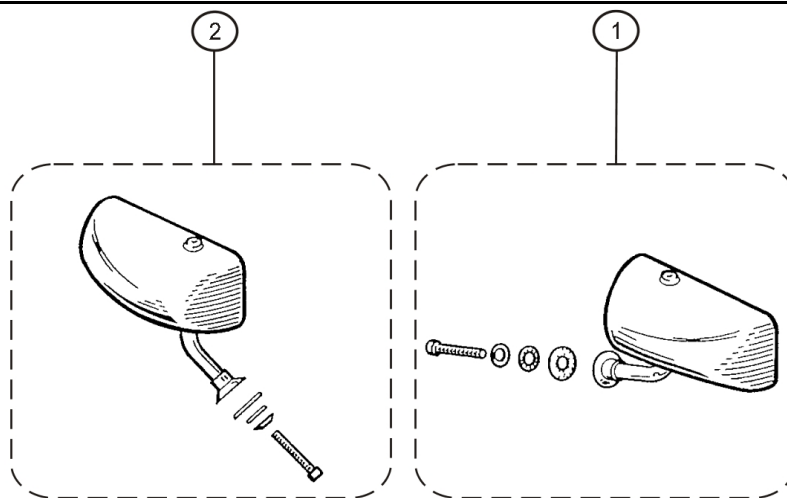
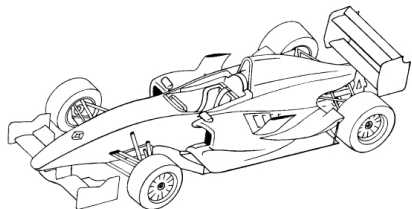
43.00



**2.0**

**FORMULA  
RENAULT 2.0**

**56.20**



Rep.	Reference	Description	Coef
1	77 11 154 134	Rétro.G bras court	1
2	77 11 154 168	Rétro.D bras court	1
4	77 11 154 281	Rétro.G bras rallongé	1
5	77 11 154 280	Rétro.D bras rallongé	1
6	77 11 154 282	Bras rallonge	1



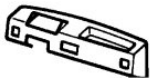
RENAULT SPORT

juin-2007



RENAULT

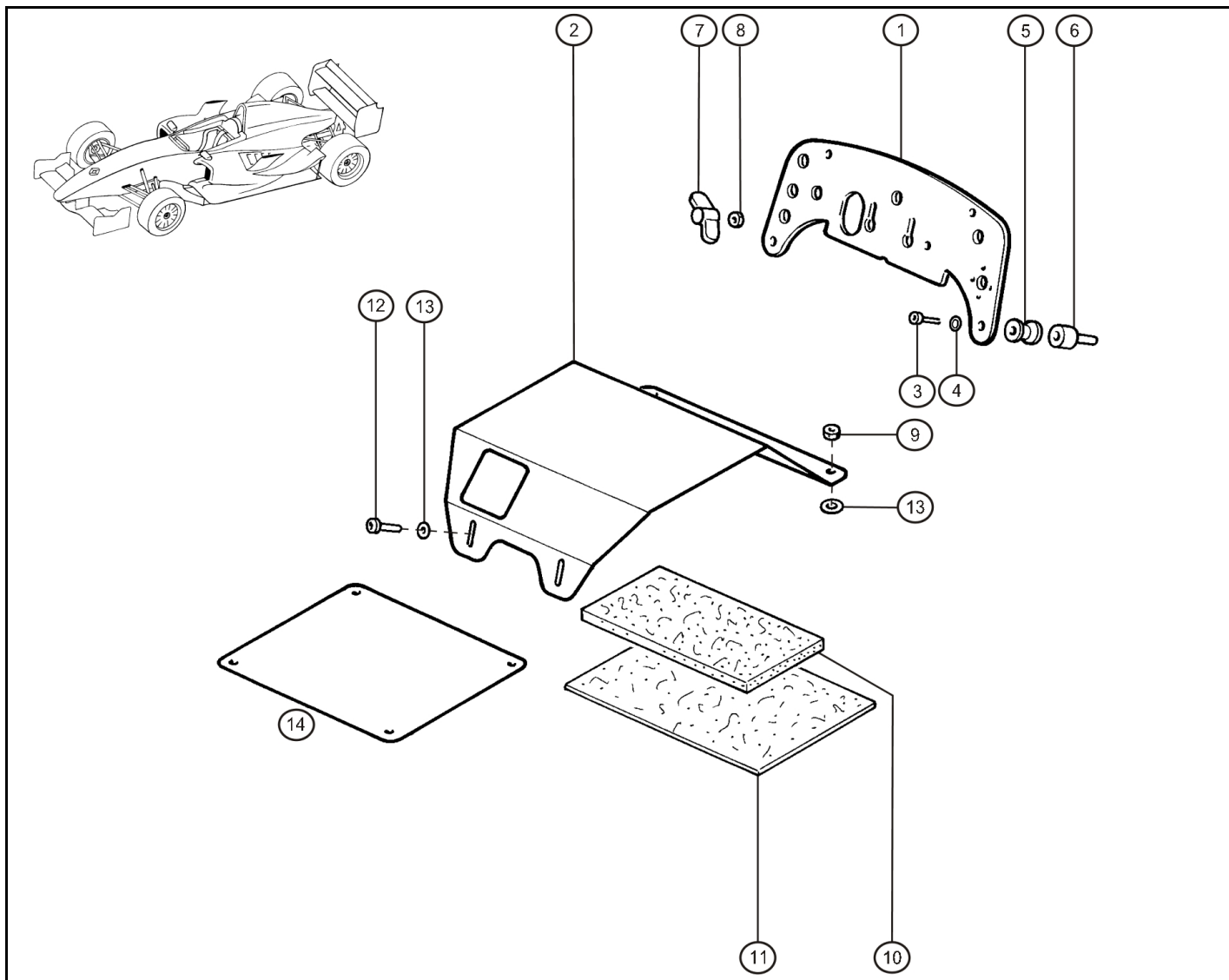




**2.0**

**FORMULA  
RENAULT 2.0**

**57.00**



Rep.	Reference	Description	Coef
1	77 11 154 374	Planche de bord	1
2	77 11 154 375	Batterie cache	1
3	77 11 154 885	Screw	1
4	77 11 154 787	Washer-Onduflex Ø6	1
5	77 11 154 376	Spacer	1
6	77 11 154 377	Fixation planche de bord	1
7	77 11 154 378	Tirette MAR	1
8	77 11 154 905	nut H M5	1
9	77 11 154 737	Nut-SIMMONDS M6	1
10	77 11 154 379	Mousse batterie	1
11	77 11 154 380	Mousse batterie	1
12	77 11 154 756	Screw M6-16	1
13	77 11 154 901	Washer Ø6x18	1
14	77 11 154 381	Plaque support lest	1

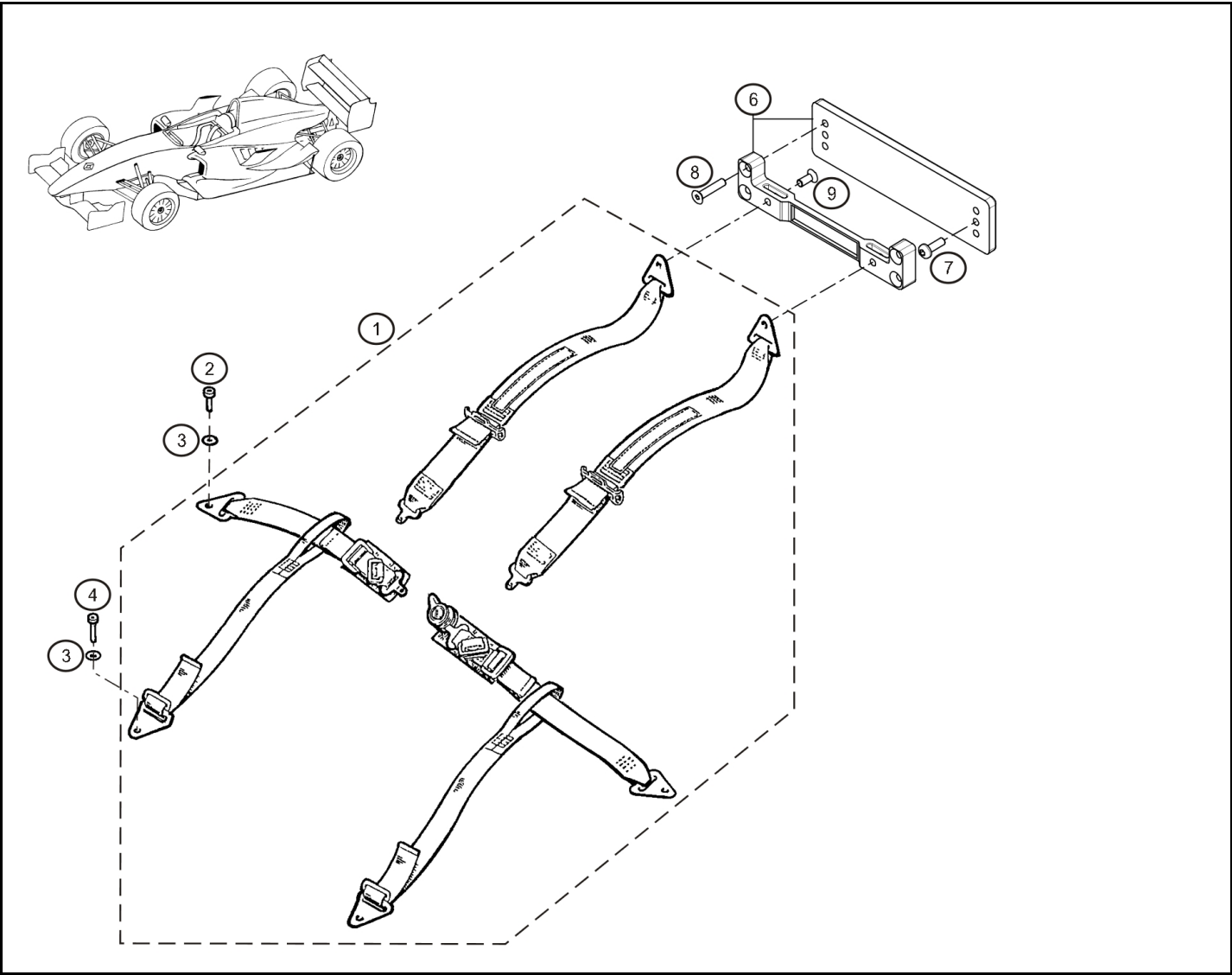


avr.-2009



RENAULT SPORT

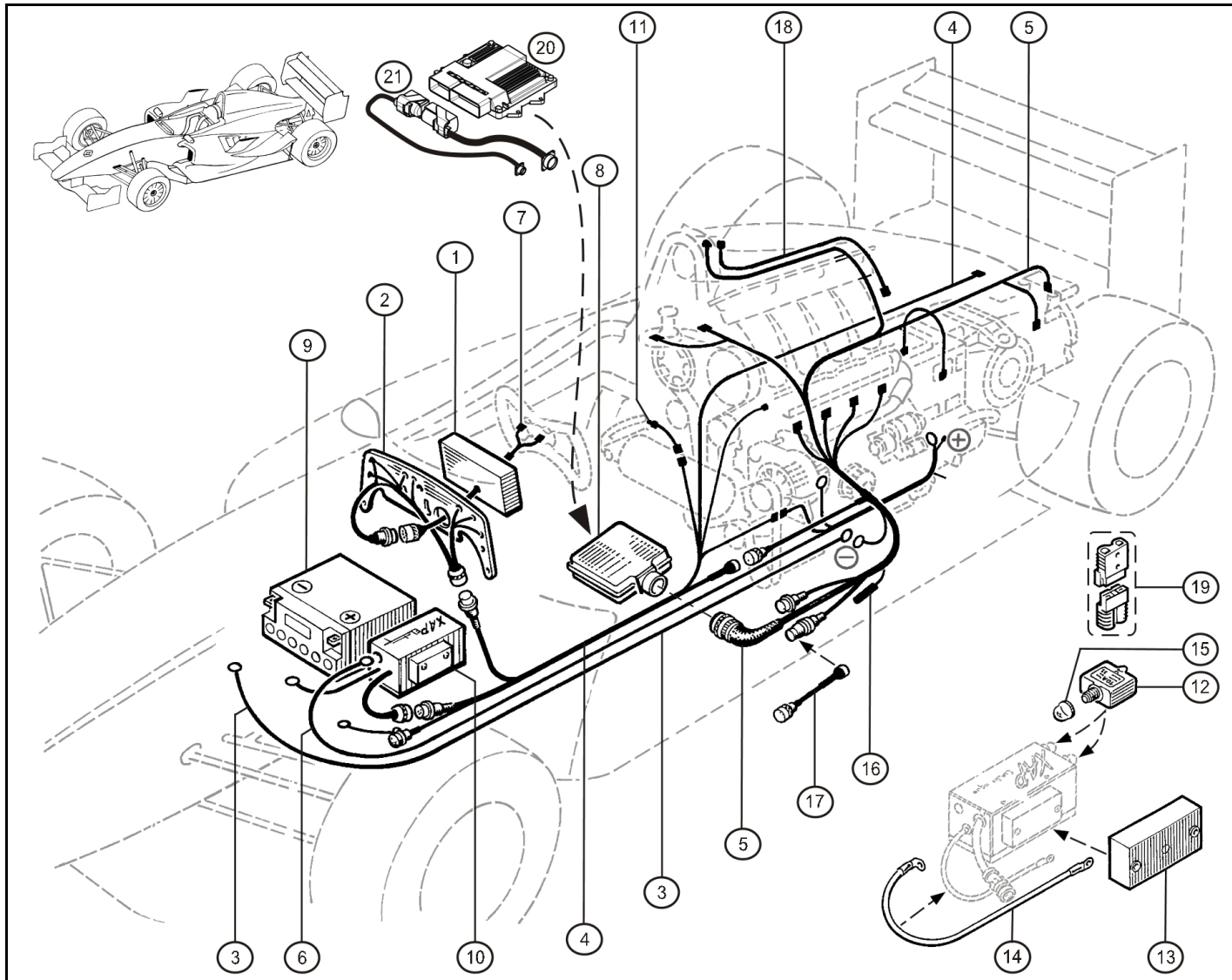
57.00



Rep.	Reference	Description	Coef
1	77 11 154 931	Harnais (Hans)	1
2	77 11 154 904	CHS Bolt M8-35 cl.12.9	2
3	77 11 154 896	Washer	4
4	77 11 154 736	CHS Bolt M8-30	1
6	77 11 154 981	Supports harnais HANS	1
7	77 11 154 987	Moyenne vis support Hans	2
8	77 11 154 988	Longue vis support Hans	4
9	77 11 154 986	Petite vis support Hans	2

avr.-2009



**2.0****FORMULA  
RENAULT 2.0****88.00**

Rep.	Reference	Description	Coef
1	77 11 154 170	Dashboard	1
2	77 11 154 102	Wiring loom-Dashboard	1
3	77 11 154 103	Cablage masse / batterie	1
4	77 11 154 101	Cablage chassis	1
5	77 11 154 100	Wiring loom-Engine 2000-2003	1
	77 11 154 312	Wiring loom-Engine 2004	1
6	77 11 154 105	Cablage démarreur	1
7	77 11 154 275	Cablage volant	1
8	77 11 154 996	computer	1
9	77 11 152 420	Battery 17 A -1ère génération	1
	77 11 154 321	Battery	1
10	77 11 154 171	Boîtier XAP coupe batterie	1
11	77 11 154 165	Cabl cp de poing- extinct.	1
12	77 11 154 162	Circuit breaker 20amp	1
	77 11 154 161	Circuit breaker 10amp	1
13	77 11 154 164	Boîtier relais XAP	1
14	77 11 154 104	Cablage XAP	1
15	77 11 154 166	Capuchon étanche	1
16	77 11 154 279	Carte électron press. huile	1
17	77 11 154 299	Cablage connect. Transpon	1
18	77 11 154 855	Rallonge faisceau potentiomètre à adapter à 7711154100 pour moteur 2004	1
19	60 00 009 986	Connector	1
20	77 11 163 124	Calculateur SRAE	1
21	77 11 163 146	Bretelle adaptation SRAE	1

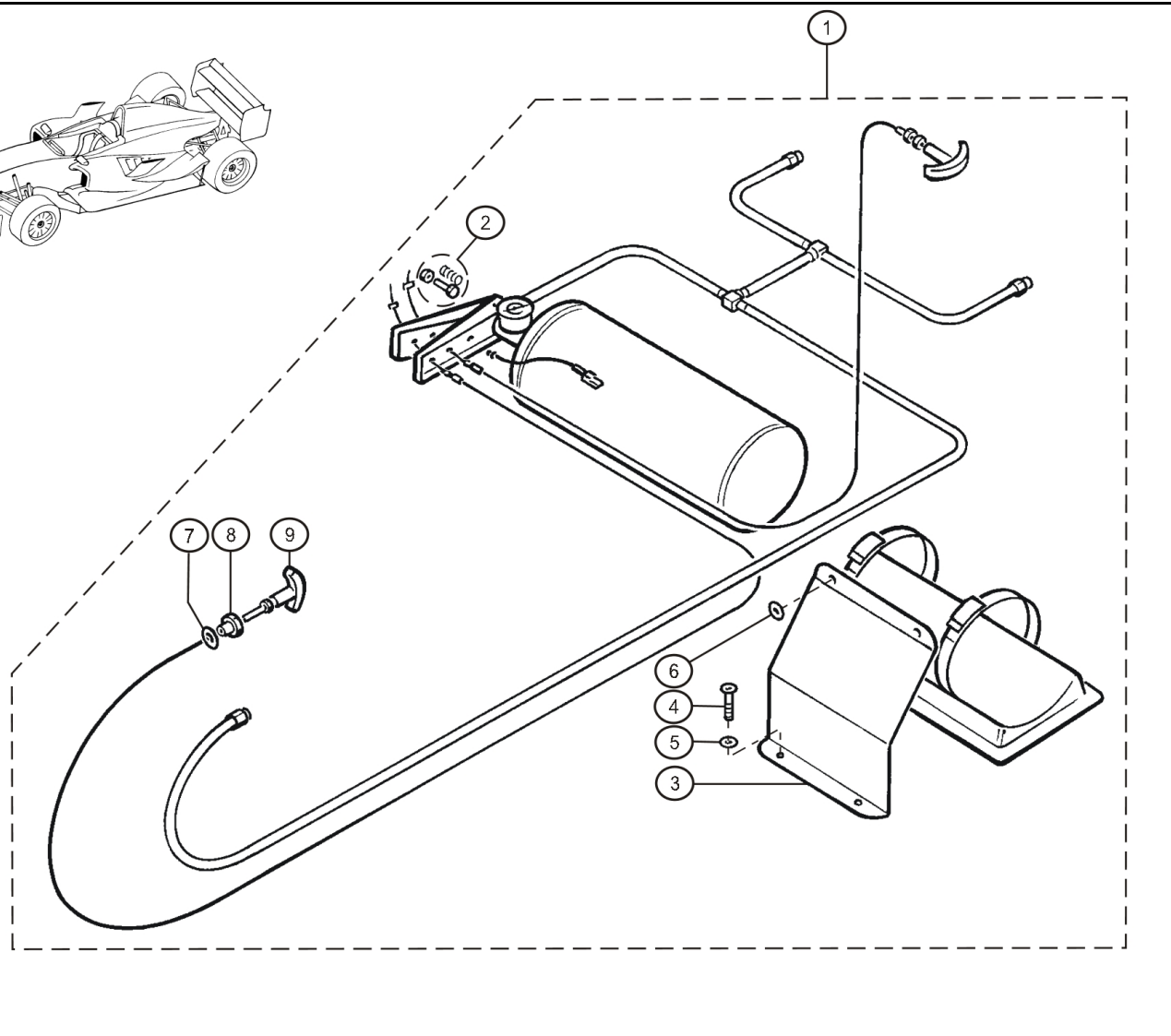
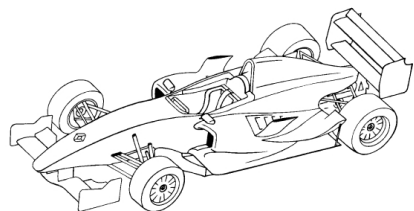


avr.-2009



RENAULT SPORT

88.00

**2.0****FORMULA  
RENAULT 2.0****90.00**

Rep.	Reference	Description	Coef
1	77 11 154 131	Kit-Fire Extinguisher	1
2	77 11 154 631	Kit screw-nut-spring	1
3	77 11 154 633	fire extinguisher mounting	1
4	77 11 154 756	Screw M6-16	1
5	77 11 154 901	Washer Ø6x18	2
6	77 11 154 910	Washer	2
7	77 11 154 909	Washer	1
8	77 11 154 632	Ecrou tirette	1
9	77 11 152 322	pull control	1



RENAULT SPORT

janv.-2005



RENAULT

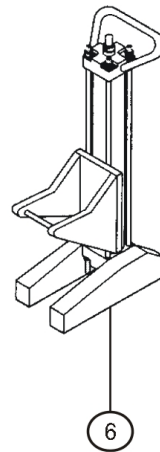
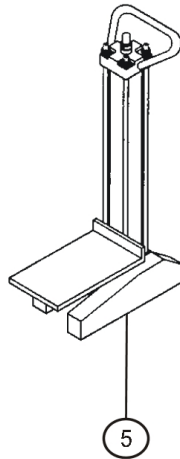
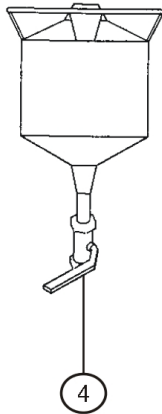
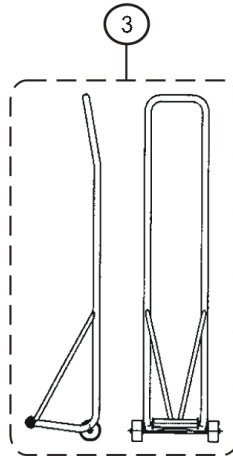
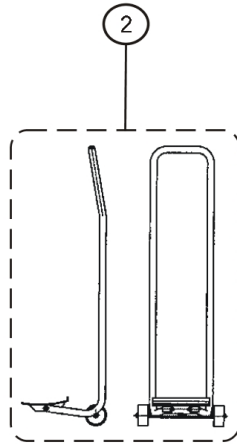
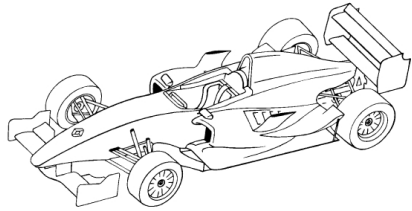
**90.00**



**2.0**

**FORMULA  
RENAULT 2.0**

**91.00**



Rep.	Reference	Description	Coef
1	77 11 154 918	Fuel Tin 10L	1
2	77 11 154 943	Window winder-Front	1
3	77 11 154 944	Window winder-Rear	1
4	77 11 154 945	Fuel Tin 20L	1
5	77 11 154 916	Cric hydraulique AV	1
6	77 11 154 917	Cric hydraulique AR	1



févr.-2005



RENAULT SPORT

91.00

**PRICES 2015**

Reference	Rate	Boards	Reference	Rate	Boards	Reference	Rate	Boards	Reference	Rate	Boards
01 00 016 008	3.76	21.20	01 00 106 006	11.89	21.20	01 00 850 121	231.53	21.40	55 75 141 437	230.12	21.30
01 00 059 022	9.53	21.60	01 00 106 007	6.98	21.60	01 00 850 131	66.22	21.40			21.40
01 00 059 040	83.37	21.60	01 00 201 015	.25	21.60	01 00 850 141	62.07	21.20	60 00 009 986	32.26	88.00
01 00 059 049	3.20	21.60	01 00 201 017	1.10	21.60	01 00 851 001	76.46	21.60	60 00 072 492	574.01	10.75
01 00 062 009	17.26	21.60	01 00 201 033	.55	21.60	01 00 851 011	98.10	21.60	60 00 072 522	28.80	12.54
01 00 062 010	49.18	21.60	01 00 201 034	.97	21.20	01 00 851 021	548.15	21.60	60 00 072 636	6.69	31.00
01 00 062 011	13.61	21.60	01 00 201 036	2.54	21.20	01 00 851 061	86.47	21.60			33.00
01 00 077 108	9.21	21.60	01 00 201 037	.86	29.00	01 00 851 081	7.56	21.60	60 00 072 637	6.69	31.00
01 00 077 110	15.62	21.60	01 00 203 017	4.55	21.60	01 00 852 221	37.85	29.00			33.00
01 00 077 120	5.90	21.60	01 00 203 019	10.04	21.20	01 00 859 071	516.35	21.50	60 01 040 221		15.44
01 00 077 150	14.04	21.60	01 00 205 021	2.02	21.20	01 00 859 091	271.15	21.50	77 00 104 134		11.04
01 00 077 151	2.46	21.60	01 00 206 003	9.23	21.20	01 01 031 855	1539.33	21.40	77 00 106 588	NC	12.54
01 00 077 229	4.34	21.20	01 00 301 007	.38	15.44			21.50	77 00 107 192	13.59	11.04
01 00 085 003	84.85	21.40	01 00 301 013	1.09	20.00	01 01 202 004	3.69	21.20	77 00 107 608	NC	19.50
01 00 085 004	86.08	21.40			21.60	01 09 002 038	20.03	21.40	77 00 107 882	NC	12.54
01 00 085 005	64.78	21.40	01 00 301 020	.35	21.20	01 09 005 010	53.91	21.40	77 00 109 906		12.10
01 00 085 006	34.18	21.30			21.70	01 09 907 004	.67	21.40	77 00 111 741	NC	12.54
01 00 085 007	73.30	21.40	01 00 301 051	.86	21.20	01 75 000 001	1009.72	21.30	77 00 114 203		12.10
01 00 085 008	165.06	21.40	01 00 301 053	.81	21.20			21.40	77 00 114 234		19.50
01 00 085 010	389.60	21.30	01 00 301 079	.20	15.44	01 75 000 002	1034.37	21.30	77 00 511 874		21.20
01 00 085 011	241.86	21.30			29.00			21.40	77 00 709 470		10.75
01 00 085 015	14.17	21.30	01 00 301 100	.34	21.20	11 00 077 119	35.18	21.60	77 00 748 231		10.75
01 00 085 016	7.82	21.40			21.60	33 75 141 629	211.52	21.30	77 00 851 213		11.04
01 00 085 019	19.98	21.40	01 00 301 126	.22	21.60			21.40	77 01 204 095		12.54
01 00 085 103	26.73	21.60	01 00 301 161	.24	21.60	33 75 141 827	211.52	21.30	77 01 206 043		12.54
01 00 085 104	103.75	21.60	01 00 301 191	1.38	21.40			21.40	77 01 473 365		11.04
01 00 085 107	18.83	21.60	01 00 301 242	.26	21.50	33 75 141 932	211.52	21.30	77 03 002 039	NC	11.04
01 00 085 110	18.44	21.60	01 00 301 245	.86	21.20			21.40	77 03 002 053		12.10
01 00 085 111	11.47	21.60	01 00 301 373	1.52	21.70	33 75 142 024	211.52	21.30	77 03 002 182	NC	11.04
01 00 085 112	1.70	21.60	01 00 301 418	.34	21.70			21.40	77 03 002 276	NC	11.04
01 00 085 161	12.81	21.20	01 00 302 009	.24	21.60	33 75 142 028	211.52	21.30	77 03 002 480		11.04
01 00 085 215	103.17	21.20	01 00 302 023	1.34	21.60			21.40	77 03 009 026	NC	12.54
01 00 085 216	106.47	21.20	01 00 302 027	.74	21.60	33 75 142 127	201.21	21.30	77 03 010 025		15.44
01 00 085 220	43.82	21.20	01 00 303 019	.12	29.00			21.40	77 03 033 107		19.50
01 00 085 225	10.90	21.20	01 00 304 006	1.18	21.60	33 75 142 223	211.52	21.30	77 03 034 131	NC	15.44
01 00 085 226	30.31	21.20	01 00 305 052	4.18	21.50			21.40	77 03 034 177	NC	15.44
01 00 085 227	27.60	21.20	01 00 308 022	.35	21.20	33 75 142 326	211.52	21.30	77 03 062 062		21.20
01 00 085 228	2.41	21.60	01 00 502 016	.03	21.20			21.40	77 03 066 085	NC	29.00
01 00 085 900	343.25	21.50	01 00 590 481	9.29	21.20	44 75 141 828	197.38	21.30			33.00
01 00 085 908	25.00	21.50	01 00 590 901	55.53	21.60			21.40	77 03 074 125	NC	12.54
01 00 085 911	38.65	21.50	01 00 599 017	.60	21.60	44 75 141 835	211.52	21.30	77 03 074 234		11.04
01 00 085 912	38.48	21.50	01 00 601 010	1.79	21.60			21.40	77 03 075 180	NC	21.20
01 00 085 913	31.53	21.50	01 00 601 038	.13	21.70	44 75 142 022	211.52	21.30	77 03 075 304	1.26	21.20
01 00 085 914	33.69	21.50	01 00 602 043	1.22	21.20			21.40	77 03 090 115	NC	10.65
01 00 085 951	7.26	21.50	01 00 701 013	.17	21.60	44 75 142 127	211.52	21.30	77 03 090 362		21.20
01 00 085 981	4.97	15.44	01 00 771 051	63.28	21.60			21.40			21.50
01 00 085 982	1.80	15.44	01 00 801 026	7.77	21.60	44 75 142 726	211.52	21.30	77 03 101 072		15.44
01 00 101 018	34.03	21.60	01 00 801 027	9.62	21.60			21.40	77 05 001 132		15.44
01 00 101 050	5.30	21.20	01 00 801 046	9.08	21.60	44 75 900 101	459.56	21.30	77 05 030 272		21.20
01 00 103 011	37.40	21.40	01 00 850 081	144.01	21.40			21.40	77 11 050 730		1.06
01 00 103 015	27.92	21.30	01 00 850 091	87.72	21.60	44 75 900 102	459.56	21.30	77 11 050 937		1.58
01 00 105 043	12.56	21.40	01 00 850 101	351.73	21.30			21.40	77 11 050 940		2.57







**PRICES 2015**

Reference	Rate	Boards	Reference	Rate	Boards	Reference	Rate	Boards	Reference	Rate	Boards	
77 11 154 675	5.22	19.30	77 11 154 709	3.79	32.00			38.00	77 11 154 769		1.58	40.00
77 11 154 676	313.50	19.80	77 11 154 710	3.79	36.00	77 11 154 741	1.10	19.80	77 11 154 770		.79	41.10
77 11 154 677	262.48	19.80	77 11 154 711	6.70	33.10	77 11 154 743	1.88	33.00	77 11 154 771		NC	41.10
77 11 154 679	106.70	19.80	77 11 154 712	2.30	31.10			37.00				42.00
77 11 154 680	6.70	19.80			33.10			36.00	77 11 154 772		NC	41.10
		21.25			40.00			38.00	77 11 154 773		17.07	41.10
77 11 154 682	5.40	19.80	77 11 154 713	5.42	33.00	77 11 154 744	1.03	31.00	77 11 154 774		1.42	41.10
		21.25	77 11 154 714	6.70	34.00			33.00				42.00
77 11 154 683	NC	19.80			38.00	77 11 154 748	6.82	40.00				42.10
77 11 154 684	NC	19.80	77 11 154 715	3.64	19.80	77 11 154 749	10.92	40.10	77 11 154 775		.98	31.10
77 11 154 685	15.21	19.80			21.25	77 11 154 750	26.54	40.00	77 11 154 776		1.33	31.10
77 11 154 688	2.74	21.25	77 11 154 716	49.72	31.10			40.10	77 11 154 777		1.87	31.10
77 11 154 689	22.90	21.25			33.10	77 11 154 751	26.17	40.00	77 11 154 778		1.75	31.10
77 11 154 690	NC	21.25	77 11 154 718	14.08	38.00	77 11 154 752	20.64	40.00	77 11 154 779		2.00	31.10
77 11 154 691	NC	19.50	77 11 154 719	.89	41.10	77 11 154 753	17.48	40.00				37.00
77 11 154 692	31.04	19.50			42.10	77 11 154 754	NC	38.00	77 11 154 780		1.19	19.50
77 11 154 694	NC	31.10	77 11 154 720	1.57	42.10			40.00				31.10
		33.10	77 11 154 721	.98	31.00			40.10				34.00
		36.00			33.00	77 11 154 755	1.67	31.10				37.00
77 11 154 695	3.79	31.10	77 11 154 722	1.67	31.00			40.10				41.10
		33.10	77 11 154 723	1.96	31.00	77 11 154 756	NC	40.00	77 11 154 781		NC	31.10
		36.00	77 11 154 724	NC	31.00			40.10				32.00
77 11 154 696	3.61	31.10			33.00			57.00				37.00
		32.00	77 11 154 725	1.10	31.00			90.00	77 11 154 783		1.10	31.10
		33.10	77 11 154 726	NC	33.00	77 11 154 757	NC	40.00	77 11 154 784		1.85	31.00
77 11 154 697	84.80	31.10	77 11 154 727	51.97	34.00			41.10				41.10
		33.10	77 11 154 728	47.69	34.00			42.10	77 11 154 785		2.31	32.00
77 11 154 698	6.70	31.10	77 11 154 729	1.10	20.00	77 11 154 758	1.33	32.00	77 11 154 786		NC	32.00
		33.10			33.00			33.10	77 11 154 787		1.33	12.10
77 11 154 699	2.43	31.10			34.00			34.00				19.00
		33.10			37.40			36.00				32.00
77 11 154 700	3.64	31.10	77 11 154 730	1.10	33.00			38.00				37.00
		32.00	77 11 154 731	15.68	38.00			40.00				38.00
		34.00	77 11 154 733	1.76	40.00			40.10				40.10
77 11 154 701	NC	31.10			42.00			42.10				41.10
		32.00			42.10	77 11 154 759	NC	40.00				42.00
		33.10			43.00	77 11 154 760	1.33	40.00				42.10
		34.00	77 11 154 734	NC	32.00	77 11 154 762	NC	19.30				57.00
		36.00	77 11 154 735	NC	19.00			42.10	77 11 154 788		1.59	36.00
77 11 154 702	109.10	32.00			32.00	77 11 154 763	.82	43.00	77 11 154 789		1.57	31.10
		34.00			33.10	77 11 154 764	1.48	42.00				36.00
77 11 154 703	109.10	32.00			34.00			42.10				38.00
		34.00			40.00			43.00				42.00
77 11 154 704	109.10	32.00	77 11 154 736	NC	19.80	77 11 154 765	1.87	20.00	77 11 154 790		NC	36.00
		34.00			59.20			37.40	77 11 154 791		.51	34.00
77 11 154 705	114.53	32.00	77 11 154 737	1.88	31.00			36.00				37.00
		34.00			41.10	77 11 154 766	NC	33.10	77 11 154 792		3.99	34.00
77 11 154 706	109.10	32.00			57.00			40.10	77 11 154 793		1.57	34.00
		34.00	77 11 154 738	1.58	31.10	77 11 154 767	2.01	41.10	77 11 154 794		1.85	34.00
77 11 154 707	109.10	32.00			33.10	77 11 154 768	NC	40.00	77 11 154 795		NC	34.00
		34.00	77 11 154 739	NC	36.00			41.10	77 11 154 796		NC	32.00
77 11 154 708	3.79	32.00	77 11 154 740	2.00	37.00			42.00				34.00

**PRICES 2015**

Reference	Rate	Boards	Reference	Rate	Boards	Reference	Rate	Boards	Reference	Rate	Boards
77 11 154 797	15.07	37.00	77 11 154 873	NC	42.10	77 11 154 931	NC	59.20	77 11 163 068	365.28	31.00
77 11 154 798	15.82	37.00	77 11 154 874	NC	42.10	77 11 154 932	3.28	12.54	77 11 163 069	394.50	33.00
77 11 154 799	1.87	19.80	77 11 154 875	NC	42.00	77 11 154 934	219.84	36.00	77 11 163 070	345.37	40.10
77 11 154 800	1.42	19.80	77 11 154 876	19.42	19.80	77 11 154 935	117.90	31.00	77 11 163 071	1831.56	40.10
		21.25	77 11 154 877	.92	42.00			33.00	77 11 163 072	183.42	41.00
77 11 154 801	NC	19.80			42.10	77 11 154 936	67.24	31.00	77 11 163 074	34.19	41.00
77 11 154 809	23.45	42.10	77 11 154 878	.79	34.00			33.00	77 11 163 076	1017.47	41.00
77 11 154 810	22.76	42.10			40.00	77 11 154 940	96.59	10.84	77 11 163 077	115.50	41.00
77 11 154 826	26.41	42.00			43.00	77 11 154 943	NC	91.00	77 11 163 078	115.50	41.00
77 11 154 827	31.50	42.10	77 11 154 879	422.87	33.10	77 11 154 944	NC	91.00	77 11 163 079	20.46	41.00
77 11 154 828	31.80	42.10	77 11 154 880	422.87	33.10	77 11 154 945	836.52	91.00	77 11 163 080	20.46	41.00
77 11 154 829	9.01	42.00	77 11 154 881	64.14	31.00	77 11 154 947	21.84	34.00	77 11 163 081	32.96	41.00
77 11 154 830	NC	42.00			33.00	77 11 154 948	197.51	31.00	77 11 163 082	32.96	41.00
77 11 154 831	1.61	42.00	77 11 154 882	62.22	12.10			33.00	77 11 163 083	21.24	41.00
77 11 154 832	20.51	42.00	77 11 154 883	NC	38.00	77 11 154 949	158.46	31.00	77 11 163 084	221.95	41.00
77 11 154 833	10.03	42.00	77 11 154 884	.75	38.00			33.00	77 11 163 085	221.95	41.00
77 11 154 834	6.81	42.00	77 11 154 885	NC	37.00	77 11 154 951	816.13	31.00	77 11 163 086	32.74	41.00
77 11 154 835	7.46	42.00			57.00	77 11 154 952	816.13	31.00	77 11 163 087	32.74	41.00
77 11 154 836	1399.46	43.00	77 11 154 886	1.90	37.00	77 11 154 953	NC	31.00	77 11 163 088	17.29	41.00
77 11 154 841	17.01	43.00	77 11 154 887	.79	37.00	77 11 154 954	1471.94	31.00	77 11 163 089	112.91	40.00
77 11 154 842	116.01	37.00			42.00	77 11 154 959	55.48	12.54	77 11 163 090	18.59	40.10
77 11 154 843	21.70	19.00	77 11 154 888	1.33	37.00			19.30	77 11 163 091	364.53	40.10
77 11 154 844	699.71	12.10	77 11 154 889	NC	19.00	77 11 154 960	213.32	12.54	77 11 163 092	200.62	42.00
77 11 154 846	205.19	12.10	77 11 154 890	NC	19.30	77 11 154 966	6982.50	10.04	77 11 163 093	200.62	42.00
77 11 154 847	55.03	12.10	77 11 154 891	1.60	19.30	77 11 154 981	469.09	59.20	77 11 163 094	27.93	42.00
77 11 154 848	71.10	12.10	77 11 154 892	NC	19.30	77 11 154 986	NC	59.20	77 11 163 095	80.77	42.00
77 11 154 849	79.49	12.10	77 11 154 893	NC	21.25	77 11 154 987	NC	59.20	77 11 163 096	503.08	40.00
77 11 154 850	74.17	12.10	77 11 154 894	.92	19.50	77 11 154 988	NC	59.20	77 11 163 097	2329.09	42.00
77 11 154 851	4.36	12.10	77 11 154 896	1.33	40.10	77 11 154 993	343.63	19.80	77 11 163 098	1498.68	42.10
77 11 154 852	4.29	12.10			59.20	77 11 154 995	87.71	31.00	77 11 163 099	239.11	42.10
77 11 154 853	4.36	12.10	77 11 154 897	NC	40.00			33.00	77 11 163 100	131.57	42.10
77 11 154 855	73.84	88.00	77 11 154 899	.87	43.00	77 11 154 996	NC	17.00	77 11 163 101	161.56	42.10
77 11 154 857	45.77	19.30	77 11 154 900	1.57	32.00			88.00	77 11 163 102	161.56	42.10
77 11 154 858	9.15	42.10	77 11 154 901	1.33	19.00	77 11 154 997	279.22	12.54	77 11 163 103	125.50	42.10
77 11 154 859	.72	40.00			36.00			19.30	77 11 163 105	178.94	42.10
		42.00			40.00	77 11 155 292	19.82	17.00	77 11 163 106	26.55	40.00
		42.10			57.00	77 11 155 372	NC	11.04	77 11 163 107	426.08	42.00
77 11 154 860	1.85	34.00			90.00			17.00	77 11 163 108	426.08	42.00
		37.00	77 11 154 903	.98	40.10	77 11 155 380	2.34	12.10	77 11 163 109	1068.31	43.00
77 11 154 861	1.67	42.00	77 11 154 904	1.01	59.20	77 11 155 388	38.93	12.54	77 11 163 110	1068.31	43.00
77 11 154 862	1.60	40.00	77 11 154 905	1.77	57.00	77 11 155 389	39.10	17.00	77 11 163 111	338.35	43.00
77 11 154 863	NC	42.00	77 11 154 908	1.69	38.00	77 11 155 391	50.03	17.00	77 11 163 112	338.35	43.00
77 11 154 864	NC	37.00	77 11 154 909	1.19	90.00	77 11 155 530	26.91	12.10	77 11 163 113	375.94	43.00
		38.00	77 11 154 910	NC	90.00	77 11 155 542	214.80	12.10	77 11 163 114	375.94	43.00
77 11 154 865	NC	20.00	77 11 154 916	NC	91.00	77 11 156 244	6.57	21.70	77 11 163 115	34.27	42.10
		38.00	77 11 154 917	NC	91.00	77 11 156 269	69.59	12.54	77 11 163 116	26.55	42.10
77 11 154 866	NC	34.00	77 11 154 918	NC	91.00	77 11 156 528	4.61	20.00	77 11 163 117	26.55	42.10
77 11 154 867	NC	37.00	77 11 154 919	10.03	19.30	77 11 156 532	.42	20.00	77 11 163 118	24.29	40.00
77 11 154 868	1.65	37.00	77 11 154 921	41.93	21.50			37.40	77 11 163 119	24.29	40.00
77 11 154 869	NC	40.00	77 11 154 922	41.93	21.50	77 11 156 563	11.34	10.84	77 11 163 120	209.32	41.10
77 11 154 870	1.87	32.00	77 11 154 929	111.30	12.54	77 11 158 344	.45	10.75	77 11 163 121	209.32	41.10
77 11 154 872	NC	42.10	77 11 154 930	54.22	12.54	77 11 160 227	84.20	17.00	77 11 163 124	2610.88	17.00

